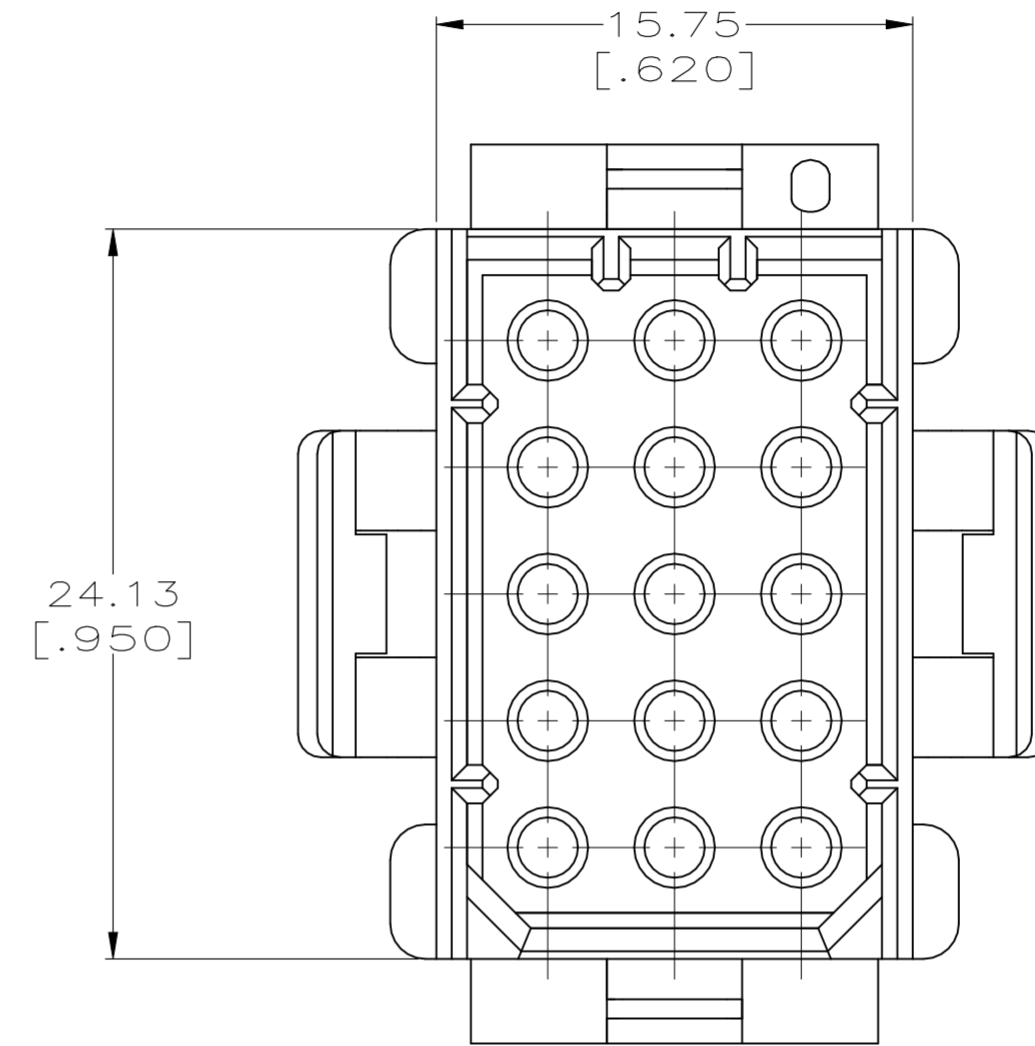
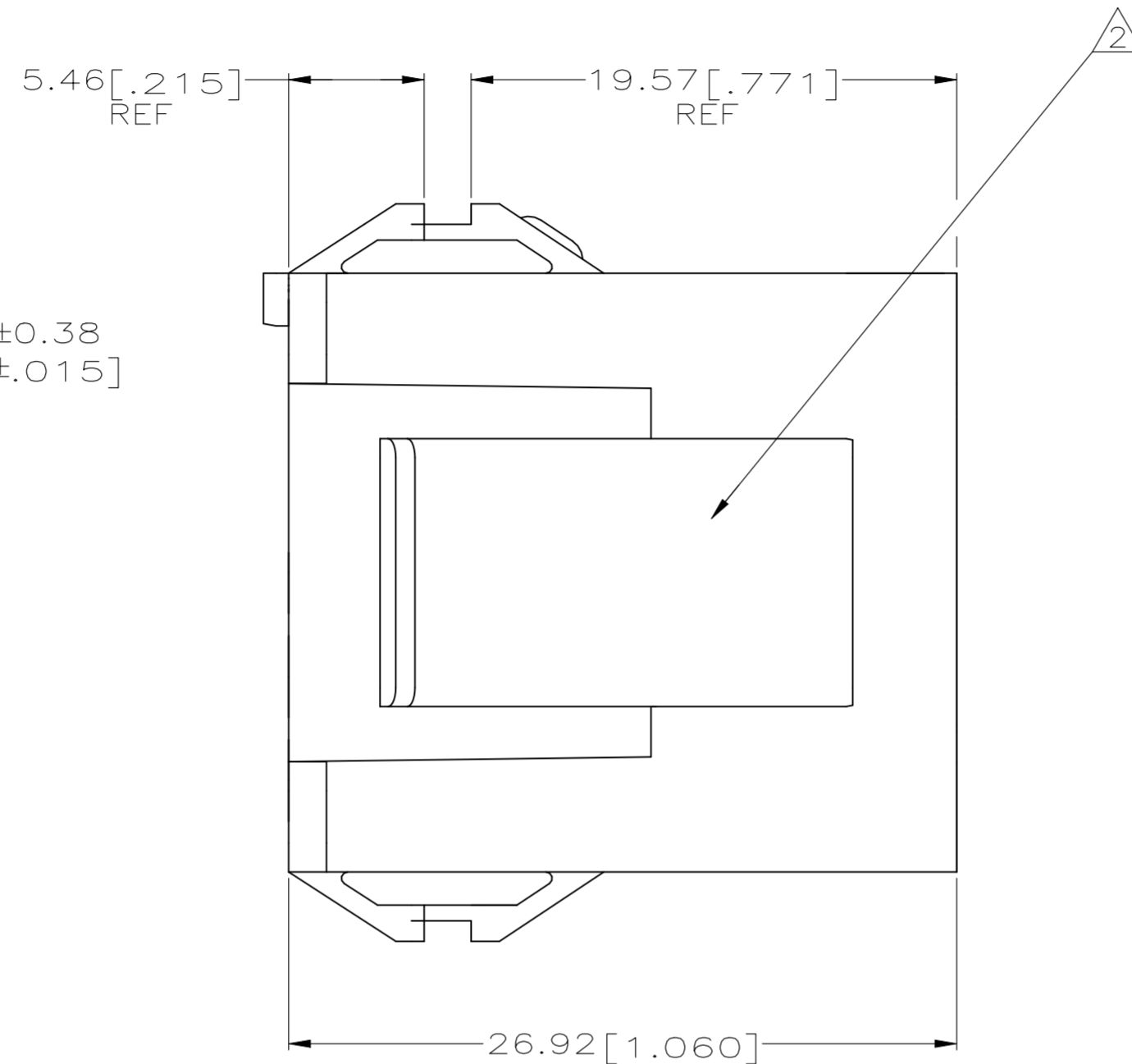
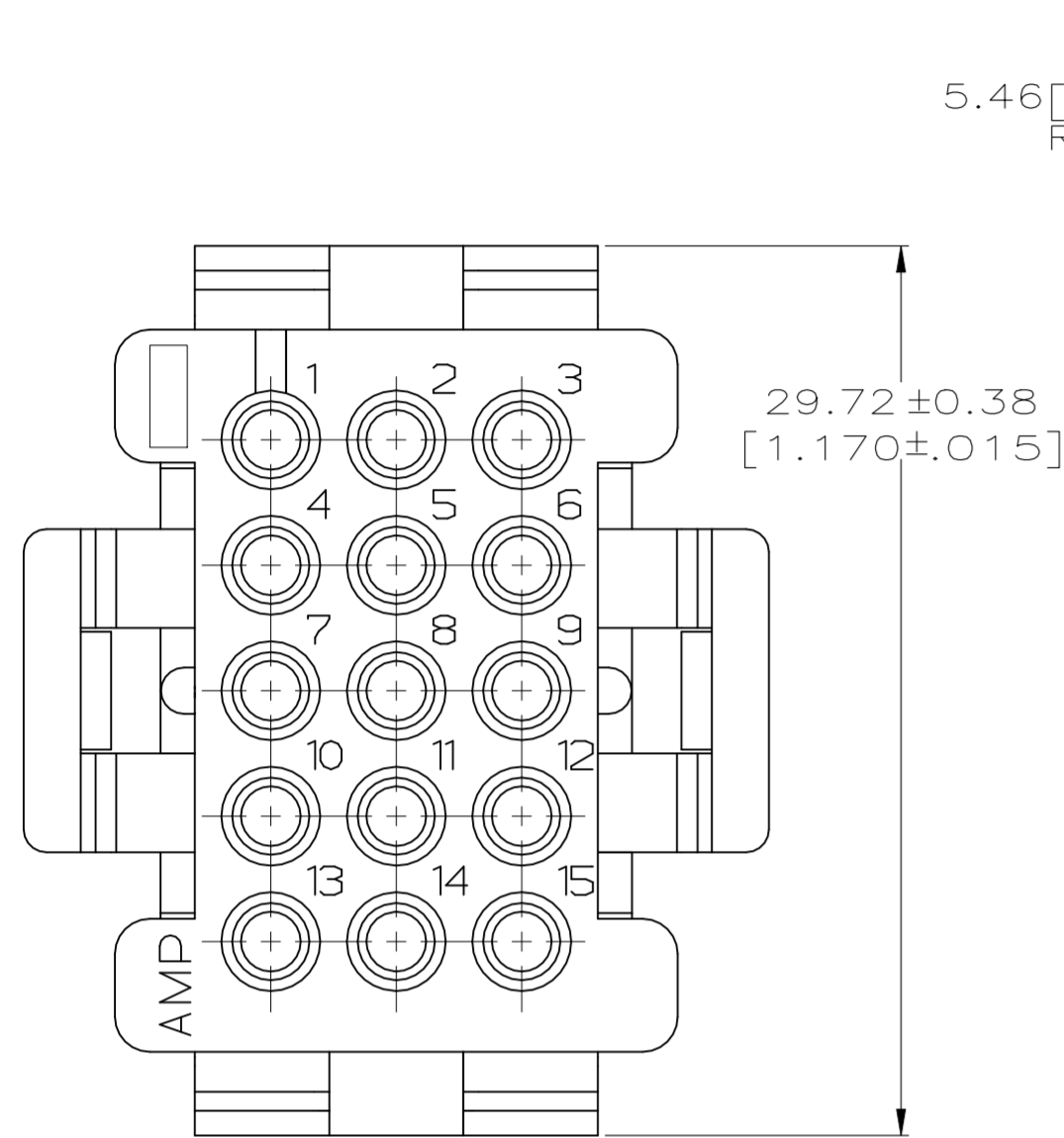
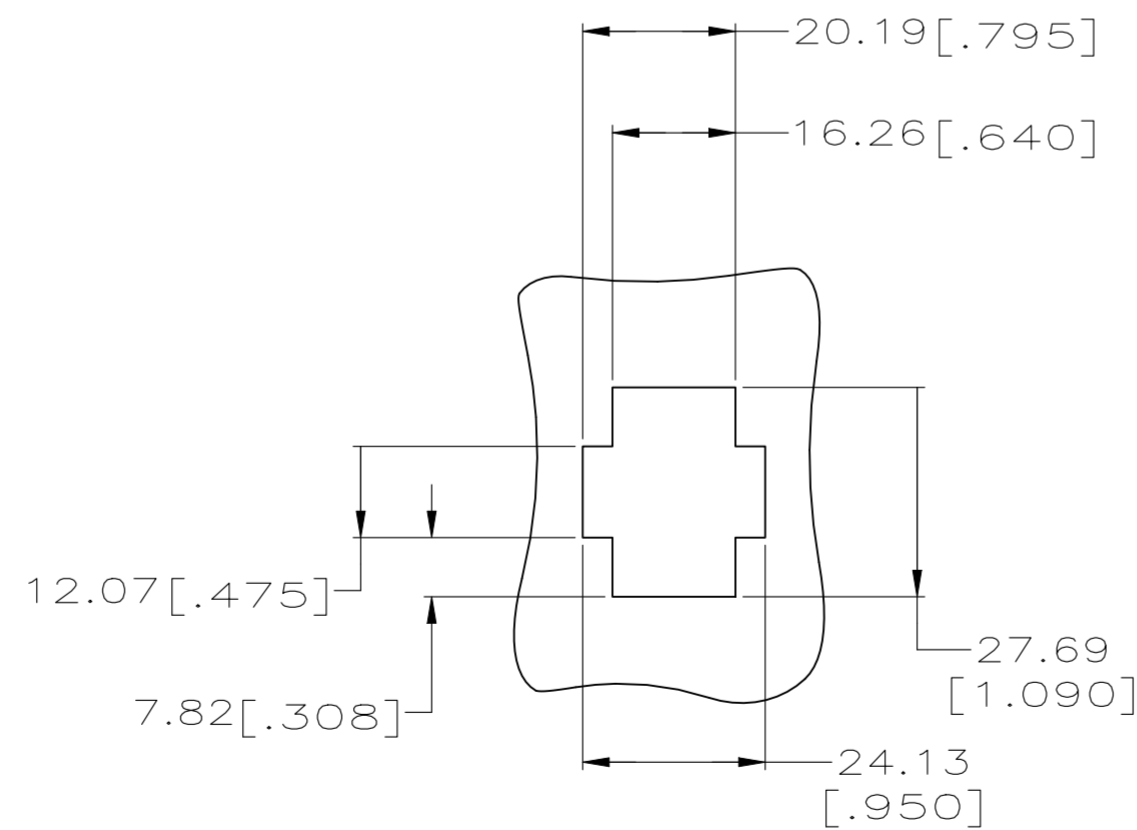
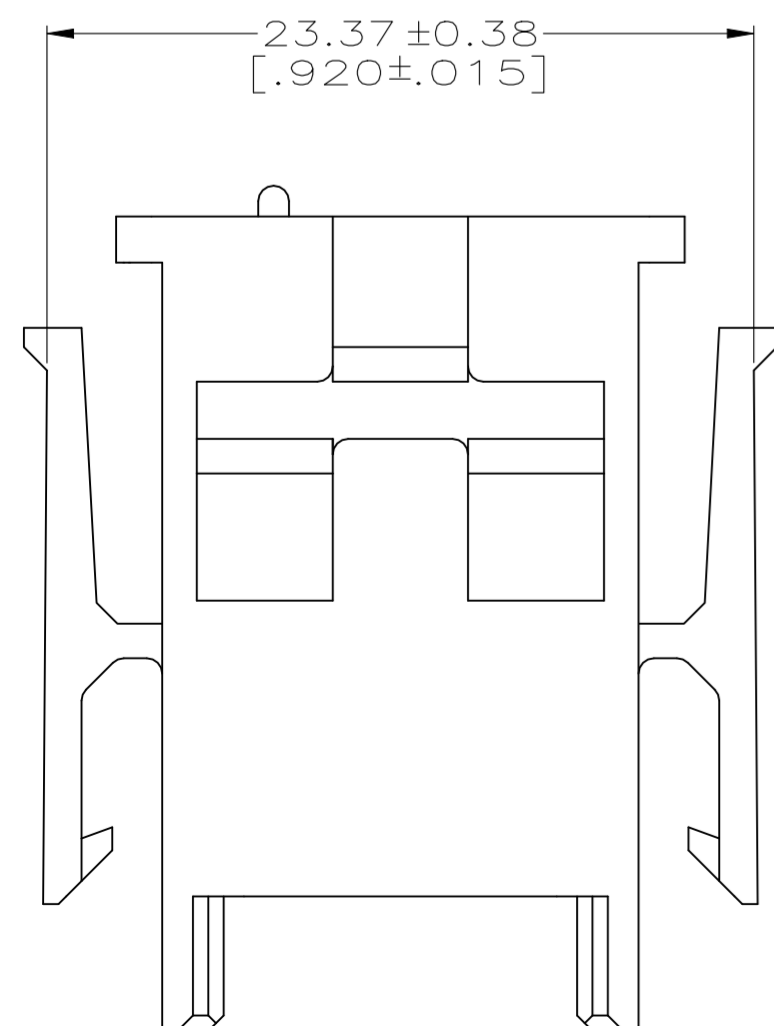


| REVISIONS | | | | | |
|-----------|-----|---------------|-----------|-----|------|
| P | LTR | DESCRIPTION | DATE | DWN | APVD |
| E | | ECO-21-006877 | 14DEC2021 | RK | MZ |



- MATES WITH HOUSING 640523.
- UL LOGO AND CSA LOGO TO APPEAR ON EITHER LATCH SURFACE PER AMP SPEC 202-20, I.D. NO. 1-18838-3 AND 1-18839-3. FROST BACKGROUND OPTIONAL.
- DIMENSIONS IN BRACKETS ARE IN INCHES.
- HOUSING MATERIAL: PA66, BLACK, UL 94 V-0 RATED



RECOMMENDED CUT OUT
FOR 1.73 [.068] MAX THICK PANEL
SCALE 1:1

METRIC

1-640513-0
PART NUMBER

| | | | | | |
|--|--|-------------------------------|---|--------------------|------------------------|
| THIS DRAWING IS A CONTROLLED DOCUMENT. | | DWN R. VESTAL 7-12-96 | | | |
| DIMENSIONS: mm [INCHES] | | CHK R. SWING 7-12-96 | | | |
| TOLERANCES UNLESS OTHERWISE SPECIFIED: | | APVD A. BEDDICK 7-12-96 | NAME HOUSING, CAP MRII 15 POSITION | | |
| 0 PLC ± - | | PRODUCT SPEC | SIZE A2 | CAGE CODE 00779 | DRAWING NO C-640513 |
| 1 PLC ± - | | APPLICATION SPEC | WEIGHT - | RESTRICTED TO - | |
| 2 PLC ± 0.13 [.005] | | | SCALE 4:1 | | |
| 3 PLC ± - | | | SHEET 1 OF 1 | | |
| 4 PLC ± - | | | REV E | | |
| ANGLES ± 0° 30' | | | | | |
| MATERIAL | | FINISH - | CUSTOMER DRAWING | | |