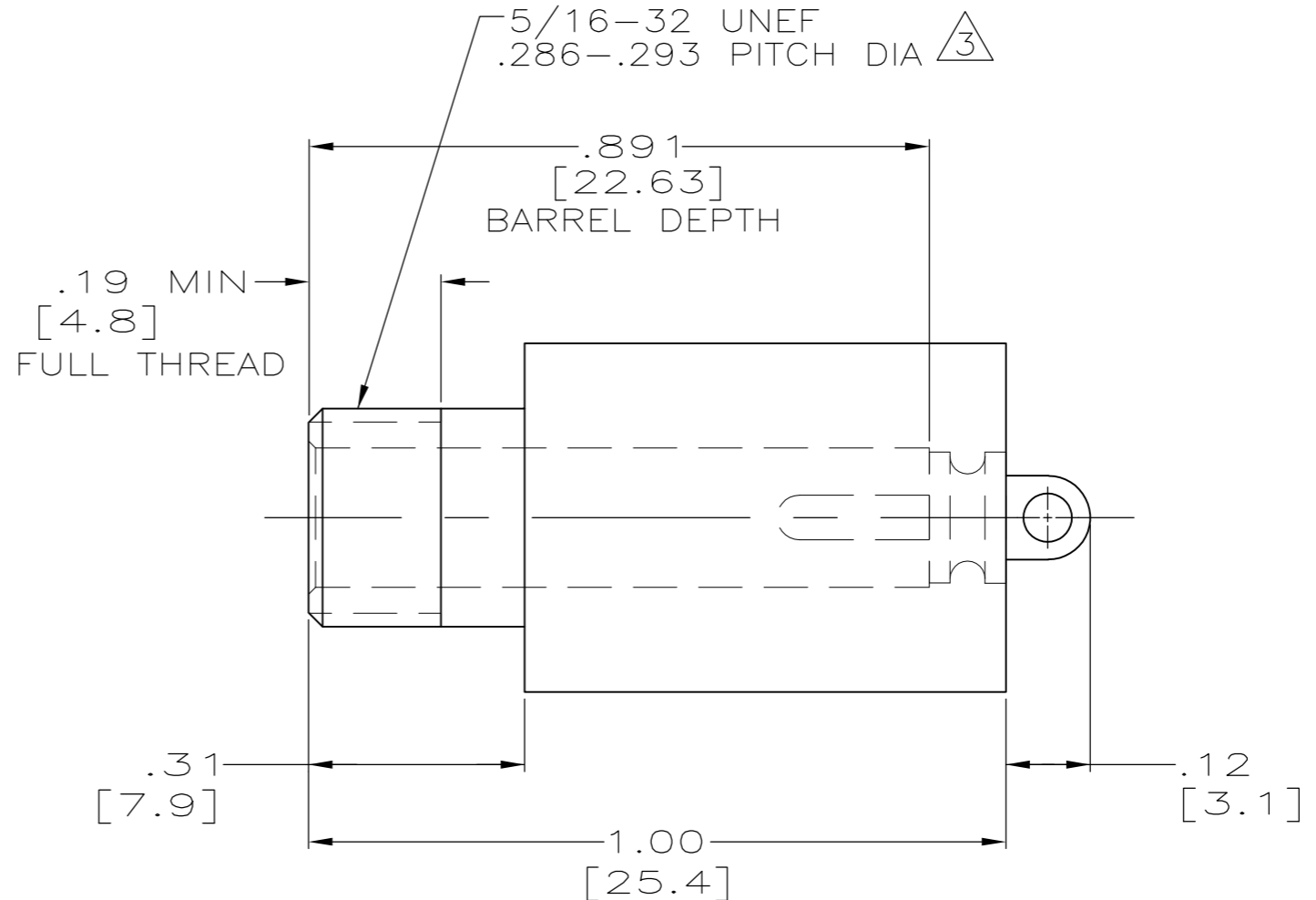
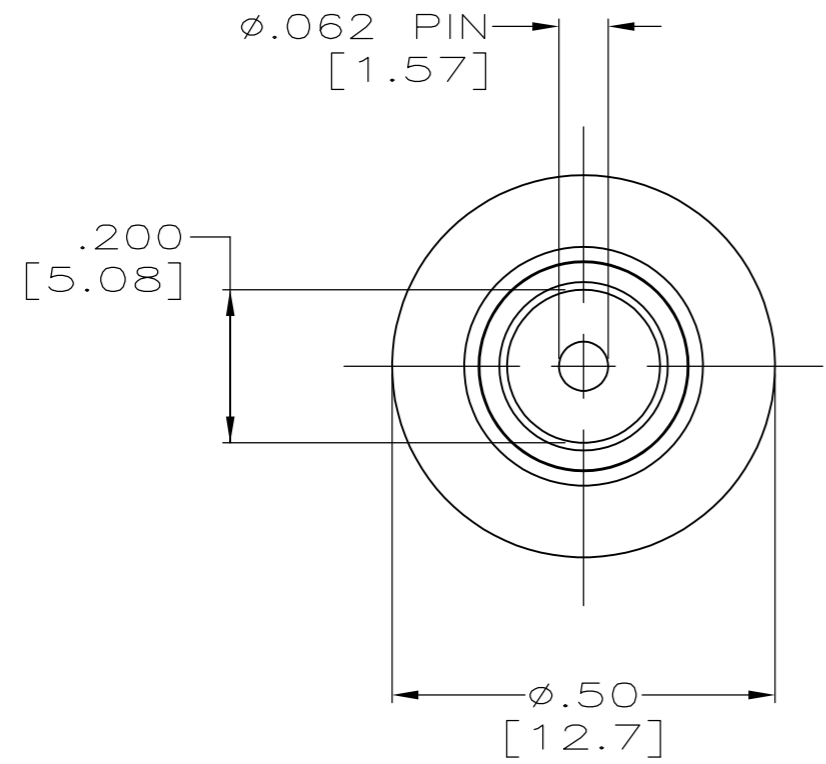


THIS DRAWING IS UNPUBLISHED. RELEASED FOR PUBLICATION - ,N/A .
 © COPYRIGHT N/A BY TYCO ELECTRONICS CORPORATION. ALL RIGHTS RESERVED.

LOC	DIST	REVISIONS					
DF	S0	P	LTR	DESCRIPTION	DATE	DWN	APVD
		M		REV PER ECO-08-011735	05JUN08	PY	DE



	TIN 150μ MIN	BLACK	5-858855-1
	GOLD 50μ MIN	BLACK	858855-9
OBSOLETE	GOLD 30μ MIN	GREEN	858855-4
OBSOLETE	TIN-LEAD 150μ MIN	GREEN	858855-3
	GOLD 30μ MIN	BLACK	858855-2
	TIN-LEAD 150μ MIN	BLACK	858855-1
	PIN FINISH	MOLD CMPD. COLOR	PART NO.

- MARKED PER MIL-STD-130.
 - RECEPTACLE TO MATE WITH AMP LGH-1/2L LEAD ASSY.
- △ PER FEDERAL STD H-28, 3 WIRE METHOD. DIMENSION OVER WIRES TO BE .307-.318 [7.80-8.08].

THIS DRAWING IS A CONTROLLED DOCUMENT.		DWN C.C.THOMAS 15-JUL-93	Tyco Electronics Corporation Harrisburg, Pa 17105-3608															
DIMENSIONS: INCHES		CHK D.EABY 21-JUL-93	RECEPTACLE FOR ENCAPSULATED UNIT LGH-1/2L															
TOLERANCES UNLESS OTHERWISE SPECIFIED:		APVD D.EABY 21-JUL-93																
<table border="1"> <tr><td>0 PLC</td><td>± -</td></tr> <tr><td>1 PLC</td><td>± -</td></tr> <tr><td>2 PLC</td><td>± .02[0.5]</td></tr> <tr><td>3 PLC</td><td>± .005[0.13]</td></tr> <tr><td>4 PLC</td><td>± -</td></tr> <tr><td>ANGLES</td><td>± -</td></tr> </table>		0 PLC	± -	1 PLC	± -	2 PLC	± .02[0.5]	3 PLC	± .005[0.13]	4 PLC	± -	ANGLES	± -	PRODUCT SPEC -	SIZE A3	CAGE CODE 00779	DRAWING NO C-858855	RESTRICTED TO -
0 PLC	± -																	
1 PLC	± -																	
2 PLC	± .02[0.5]																	
3 PLC	± .005[0.13]																	
4 PLC	± -																	
ANGLES	± -																	
MATERIAL COLOR: BLACK		FINISH -	APPLICATION SPEC -	WEIGHT -	SCALE 4:1	SHEET 1 OF 1	REV M											
CUSTOMER DRAWING																		