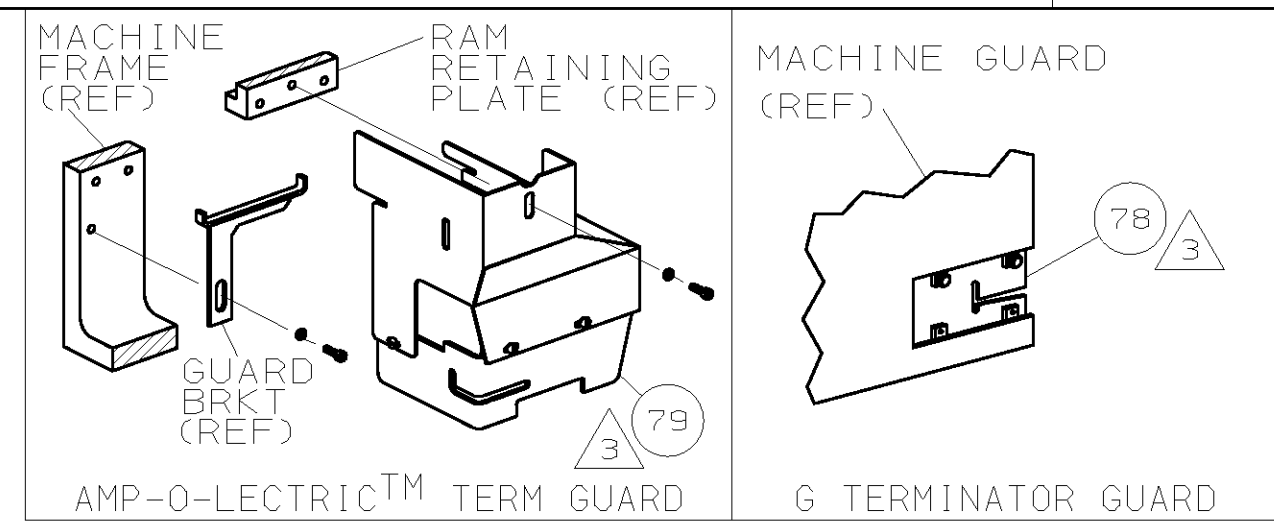
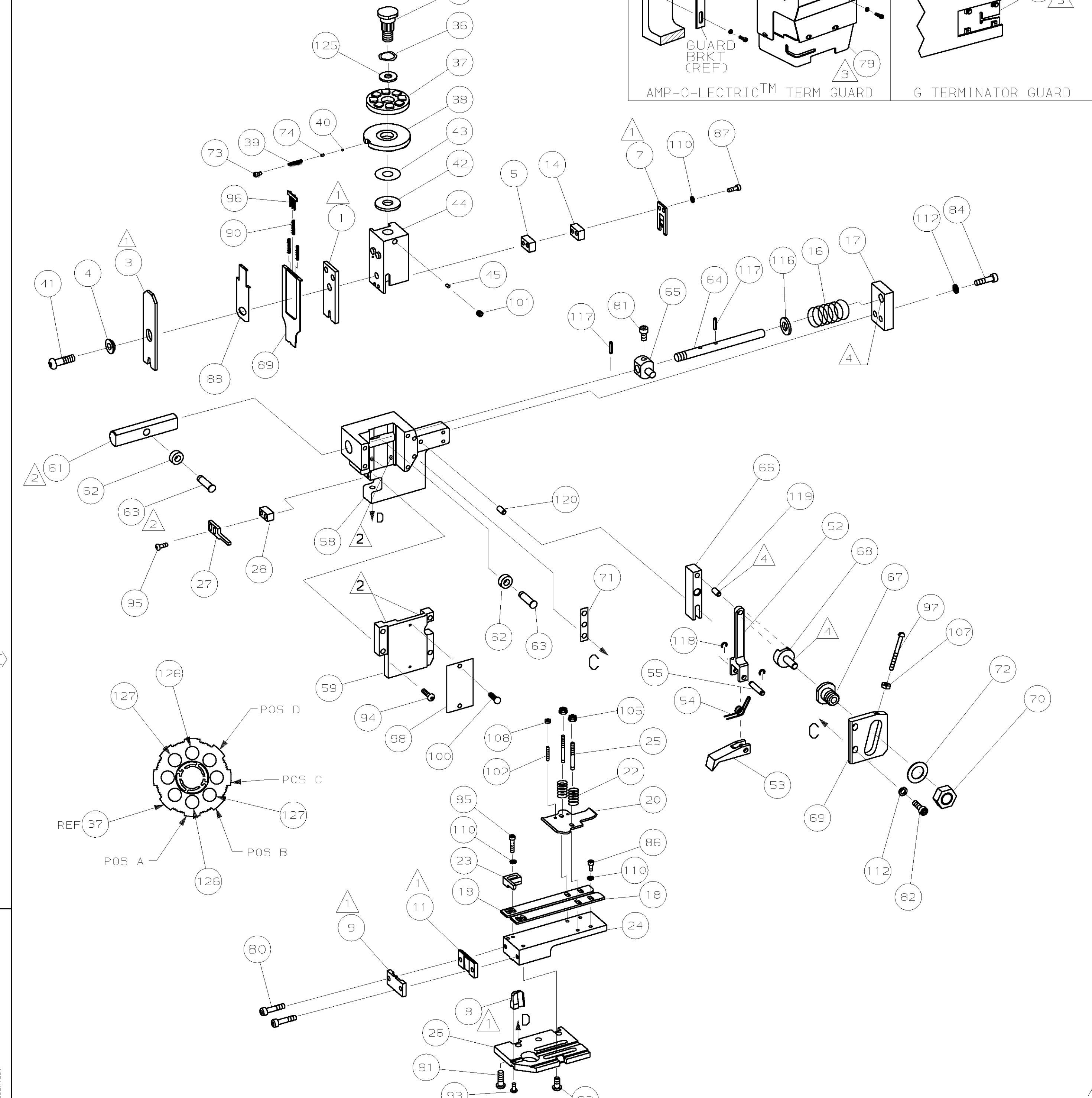


| PART NUMBER | REV | FIRST USED |
|-------------|-----|------------|
| 1385646-1 | A | 122500-1 |
| 1385646-2 | A | 565435-5 |
| 1385646-3 | A | 354500-1 |

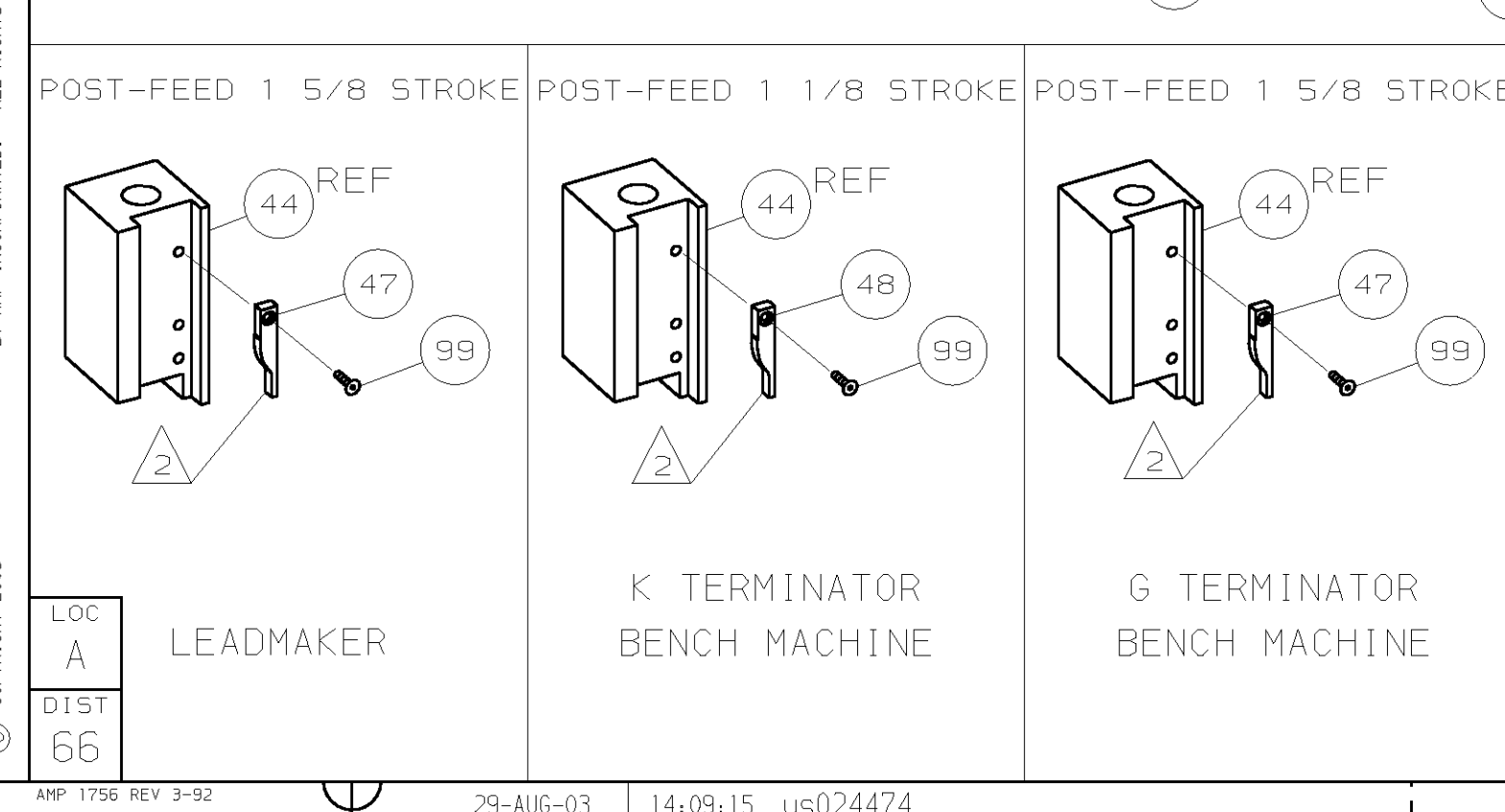


| TERMINAL NAME: AMP BLADE RECEIPT END FEED | | | | | |
|---|---------------------------|--------------|------------------|-----------------|--------|
| 66021 | | AMP TERMINAL | | AMP CRIMP SPECS | |
| PAD LTR | CRIMP HEIGHT | WIRE SIZE | | | |
| A | .045 ±.002 [1.14 ±0.05mm] | (2)20 | | | |
| B | .042 ±.002 [1.07 ±0.05mm] | (2)22 | | | |
| C | NOT | USED | | | |
| D | NOT | USED | | | |
| CRIMP | SIZE | TYPE | RANGE | | |
| WIRE | .090 [2.29mm] | F | (2)22-20 | | |
| INSUL | .110 [2.79mm] | F | (2).045-.072 | | |
| WIRE STRIP LENGTH | TERM APPL SPEC | FEED | APPL INSTRUCTION | SET UP GAGE | LAYOUT |
| .115-.145 | 108-9201 | .682 | 408-8039 | 458638-1 | L2872 |

| -1 | | LEADMAKER & BENCH MODEL G | | MECH POST FEED | | |
|-----|-----|---------------------------|---|----------------|------------------------------|----|
| -2 | | BENCH MODEL K | | MECH POST FEED | | |
| REF | REF | - | A | 22594-8 | NUT, HEX | 70 |
| REF | REF | - | B | 240628-1 | PLATE, ADJ | 69 |
| REF | REF | - | B | 240626-1 | SHAFT, PIVOT | 68 |
| REF | REF | - | B | 240633-1 | BUSHING | 67 |
| REF | REF | - | A | 455680-1 | LEVER, INTERMEDIATE | 66 |
| REF | REF | - | B | 240629-1 | BLOCK, PIVOT | 65 |
| REF | REF | - | A | 240632-2 | SCR, ADJ | 64 |
| REF | REF | - | B | 240659-3 | PIN, CAM ROLLER | 63 |
| REF | REF | - | B | 240658-1 | CAM, ROLLER | 62 |
| REF | REF | - | B | 454398-1 | ROD, FEED | 61 |
| REF | REF | - | C | 454220-1 | CAP, RAM | 59 |
| REF | REF | - | D | 453736-1 | HOUSING | 58 |
| REF | REF | - | B | 240624-1 | PIN, FEED FINGER | 55 |
| REF | REF | - | B | 691499-1 | SPRING, FEED FINGER | 54 |
| REF | REF | - | B | 240635-1 | FINGER, FEED | 53 |
| REF | REF | - | B | 240634-1 | LEVER, TERMINAL | 52 |
| REF | REF | - | C | 454220-1 | CAP, RAM | 59 |
| REF | REF | - | D | 453736-1 | HOUSING | 58 |
| REF | REF | - | B | 690501-3 | CAM, POST FEED 1 1/8 ST | 48 |
| REF | REF | - | B | 690501-4 | CAM, POST-FEED 1 5/8 ST | 47 |
| REF | REF | - | A | 690191-1 | PLUG, NYLON | 45 |
| REF | REF | - | C | 455674-1 | RAM | 44 |
| REF | REF | - | A | 690125-1 | WASHER, LAMINATED | 43 |
| REF | REF | - | A | 690124-1 | WASHER, RAM | 42 |
| REF | REF | - | A | 7-21002-9 | BOLT, CRIMPER (5/16-24x1.00) | 41 |
| REF | REF | - | A | 23241-6 | BALL, STEEL | 40 |
| REF | REF | - | A | 690170-1 | SPRING, COMPRESSION | 39 |
| REF | REF | - | C | 690142-1 | DISC, INSULATION | 38 |
| REF | REF | - | D | 354777-1 | WIRE DISC, PLASTIC | 37 |
| REF | REF | - | A | 22480-5 | WASHER, SPRING | 36 |
| REF | REF | - | B | 690212-1 | POST, RAM | 35 |
| REF | REF | - | A | 458980-1 | APPLICATOR, BASIC (SUB ASSY) | 32 |
| REF | REF | - | B | 3-690451-2 | SPACER, STRIPPER | 28 |
| REF | REF | - | A | 240639-1 | STRIPPER | 27 |
| REF | REF | - | C | 455676-1 | PLATE, BASE | 26 |
| REF | REF | - | A | 22354-8 | DRAG, STUD | 25 |
| REF | REF | - | B | 455678-3 | PLATE, STRIP GUIDE | 24 |
| REF | REF | - | C | 240825-4 | PLATE, STRIP HOLD DOWN | 23 |
| REF | REF | - | A | 4-22281-1 | SPRING, DRAG | 22 |
| REF | REF | - | A | 454177-1 | DRAG, STOCK | 20 |
| REF | REF | - | C | 454204-6 | GUIDE, STRIP (FRONT) | 18 |
| REF | REF | - | A | 454178-1 | GUIDE, FEED ROD | 17 |
| REF | REF | - | A | 6-22284-4 | SPRING, FEED RETURN | 16 |
| REF | REF | - | C | 1-240641-9 | SPACER, SLUG BLADE | 14 |
| REF | REF | - | B | 240644-5 | PLATE, REAR SHEAR | 11 |
| REF | REF | - | B | 690482-9 | PLATE, FRONT SHEAR | 9 |
| REF | REF | - | D | 6-356038-8 | ANVIL | 8 |
| REF | REF | - | B | 690474-2 | BLADE, SLUG | 7 |
| REF | REF | - | C | 1-240641-6 | SPACER, SLUG BLADE | 5 |
| REF | REF | - | B | 1-238009-2 | SPACER, BLOCK CRIMPER | 4 |
| REF | REF | - | C | 2-456134-2 | CRIMPER, INSULATION | 3 |
| REF | REF | - | C | 1-456406-8 | CRIMPER, WIRE | 1 |



| QTY | REF | REV | U/M | DWG SIZE | PART NO | DESCRIPTION | ITEM NO |
|-----|-----|-----|-----|----------|------------|----------------------------------|---------|
| 2 | 2 | - | C | | 4-354779-9 | PIN, WIRE DISC (.3235)B | 127 |
| 2 | 2 | - | C | | 4-354779-3 | PIN, WIRE DISC (.3205)A | 126 |
| 1 | 1 | - | A | | 986950-1 | WASHER, FLAT PRECISION | 125 |
| 1 | 1 | - | A | | 217238-1 | GENERAL INSTRUCTION PACKAGE | 124 |
| 1 | 1 | - | - | | 4088039 | EF APPL INST 408-8039 | 123 |
| REF | REF | - | A | | 1-21030-7 | PIN, DOWEL (Ø.187x1.50)H5G | 120 |
| REF | REF | - | A | | 1-21030-1 | PIN, DOWEL (Ø.187x.50)LEVER | 119 |
| REF | REF | - | A | | 21045-3 | RING, RET "C" (Ø.187)FD PIN | 118 |
| REF | REF | - | A | | 5-21028-1 | PIN, STD SPRING (Ø.12)FD ADJ ROD | 117 |
| REF | REF | - | A | | 21899-4 | WASHER, FLAT (Ø5/16)SCR ADJ | 116 |
| 7 | REF | - | A | | 21024-5 | WASHER, LOCK (NO.10)FD ROD GDE | 112 |
| 7 | 7 | - | A | | 21024-4 | WASHER, LOCK (NO.8)SHEAR BL | 110 |
| 2 | 2 | - | A | | 21018-4 | NUT, HEX (4-40)DRAG | 108 |
| REF | REF | - | A | | 21018-5 | NUT, HEX (6-32)FD ADJ PL | 107 |
| 2 | 2 | - | A | | 21022-2 | NUT, HEX SL (8-32)DRAG STUD | 105 |
| 2 | 2 | - | A | | 2-21006-6 | SCR, SKT SET (4-40x.62)DRAG | 102 |
| 1 | 1 | - | A | | 21009-2 | SCR, SKT SET (1/4-20x.25)RAM | 101 |
| 2 | 2 | - | A | | 21017-2 | SCR, DRIVE (#2x.19) ID PLATE | 100 |
| 1 | 1 | - | A | | 1-21002-7 | SCR, BHC (6-32x.38)CAM | 99 |
| 1 | 1 | - | B | | 461264-1 | PLATE, IDENTIFICATION | 98 |
| REF | REF | - | A | | 6-23715-5 | SCR, PAN HD (6-32x1.50)FEED ADJ | 97 |
| 1 | 1 | - | A3 | | 1424350-1 | HOLDER, PIN, WIRED | 96 |
| 2 | 2 | - | A | | 2-21002-2 | SCR, BHC (8-32x.50)STRIPPER | 95 |
| REF | REF | - | A | | 2-21002-9 | SCR, BHC (10-32x.75)H5G CAP | 94 |
| 1 | 1 | - | A | | 22733-8 | SCR, BHC (8-32x.38 LW)ANVIL | 93 |
| 4 | 4 | - | A | | 3-21002-3 | SCR, BHC (1/4-20x.50)ST 6D PL | 92 |
| REF | REF | - | A | | 2-22733-8 | SCR, BHC (1/4-20x.62)BASE PL | 91 |
| 3 | 3 | - | A | | 2-23147-2 | SPRING, DEPRESSOR | 90 |
| 1 | 1 | - | A2 | | 1490525-1 | DEPRESSOR, WIRE | 89 |
| 1 | 1 | - | A3 | | 1490524-1 | SPACER, DEPRESSOR | 88 |
| 2 | 2 | - | A | | 2-21000-7 | SCR, SHC (8-32x.50)SLUG BLADE | 87 |
| 3 | 3 | - | A | | 2-21000-6 | SCR, SHC (8-32x.38)STRIP GUIDE | 86 |
| 2 | 2 | - | A | | 2-21000-9 | SCR, SHC (8-32x.75)SLUG BLADE | 85 |
| 3 | REF | - | A | | 3-21000-7 | SCR, SHC (10-32x.75)FEED ROD GDE | 84 |
| REF | REF | - | A | | 3-21000-6 | SCR, SHC (10-32x.62)FEED ADJ PL | 82 |
| REF | REF | - | A | | 3-21000-4 | SCR, SHC (10-32x.38)PIVOT BLOCK | 81 |
| 2 | 2 | - | A | | 3-21000-7 | SCR, SHC (10-32x.75)SHEAR PL | 80 |
| REF | REF | - | A | | 455745-1 | GUARD, WINDOW | 79 |
| REF | REF | - | A | | 679532-1 | INSERT, GUARD | 78 |
| 1 | 1 | - | A | | 690603-1 | SPRING, ASSIST | 74 |
| 1 | 1 | - | A | | 23030-1 | SCR, SKT CAP (6-32x.25)CP DSC | 73 |
| REF | REF | - | A | | 458109-1 | WASHER, FLAT (SPECIAL) | 72 |
| REF | REF | - | A | | 690517-1 | SPACER | 71 |



- 1 RECOMMENDED SPARE PARTS.
- 2 GREASE LIGHTLY.
- 3 GUARD MUST BE IN PLACE WHEN OPERATING APPLICATOR IN A BENCH MACHINE.
- 4 LUBRICATE DAILY USING NO. 20 MACHINE OIL.
- 5. ITEMS WITH QTY OF REF SPECIFIED (EXCEPT ITEMS 78 AND 79) ARE USED ON ITEM 32.
- 6 ITEM 78 USED WITH G TERMINATOR ONLY.

| QTY | REF | REV | U/M | DWG SIZE | PART NO | DESCRIPTION | ITEM NO |
|-----|-----|-----|-----|----------|----------|-------------------------------|---------|
| 1 | 1 | - | A | | 690603-1 | SPRING, ASSIST | 74 |
| 1 | 1 | - | A | | 23030-1 | SCR, SKT CAP (6-32x.25)CP DSC | 73 |
| REF | REF | - | A | | 458109-1 | WASHER, FLAT (SPECIAL) | 72 |
| REF | REF | - | A | | 690517-1 | SPACER | 71 |

| QTY | REF | REV | U/M | DWG SIZE | PART NO | DESCRIPTION | ITEM NO |
|-----|-----|-----|-----|----------|------------|-----------------------|---------|
| 1 | 1 | - | C | | 1-456406-8 | CRIMPER, WIRE | 1 |
| 1 | 1 | - | B | | 240644-5 | PLATE, REAR SHEAR | 11 |
| 1 | 1 | - | B | | 690482-9 | PLATE, FRONT SHEAR | 9 |
| 1 | 1 | - | D | | 6-356038-8 | ANVIL | 8 |
| 1 | 1 | - | B | | 690474-2 | BLADE, SLUG | 7 |
| 1 | 1 | - | C | | 1-240641-6 | SPACER, SLUG BLADE | 5 |
| 1 | 1 | - | B | | 1-238009-2 | SPACER, BLOCK CRIMPER | 4 |
| 1 | 1 | - | C | | 2-456134-2 | CRIMPER, INSULATION | 3 |