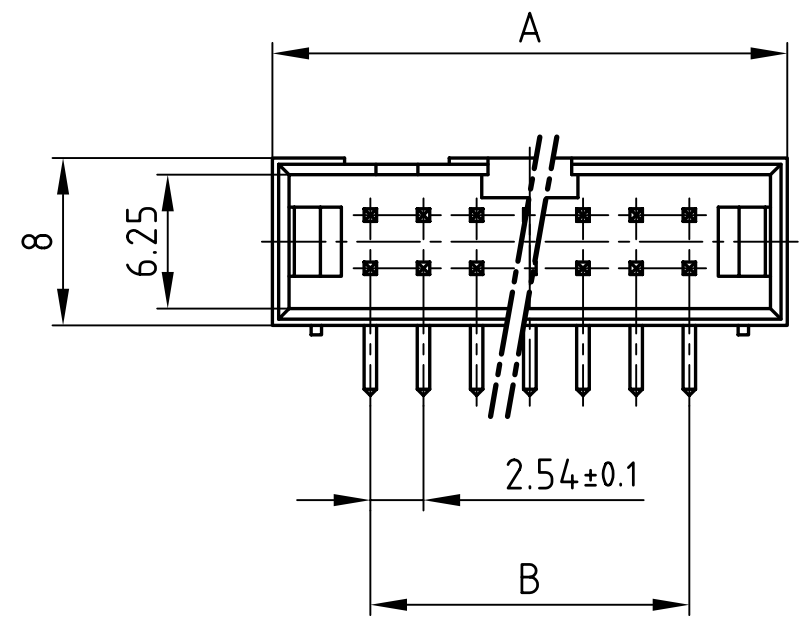
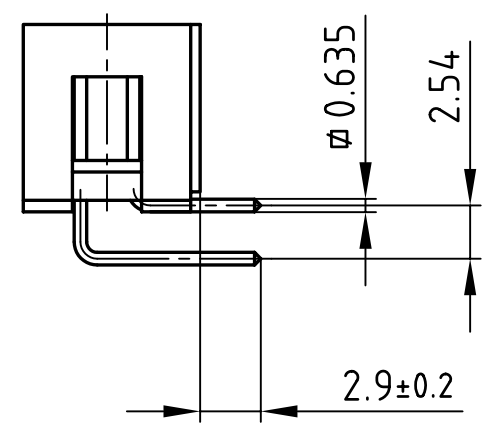
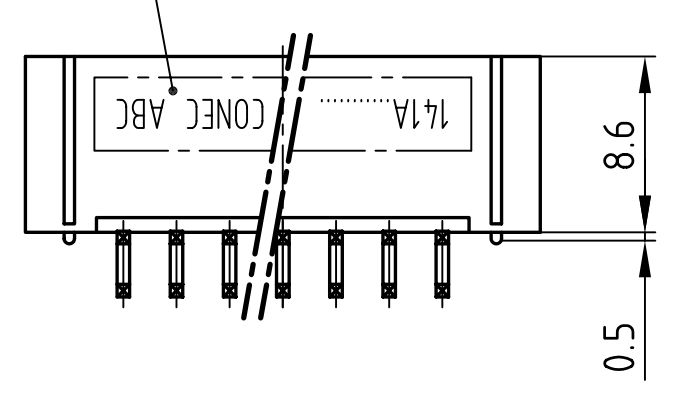


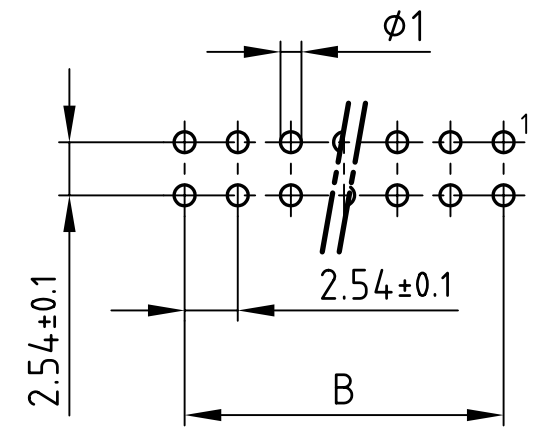
used for:

SEE NOTE 8



Pos.	A	B	Part-No.
10	19.6	4x2.54=10.16	141A11909X
14	24.6	6x2.54=15.24	141A11919X
16	27.2	7x2.54=17.78	141A11929X
20	32.2	9x2.54=22.86	141A11939X
26	39.9	12x2.54=30.48	141A11949X
34	50.0	16x2.54=40.64	141A11959X
40	57.7	19x2.54=48.26	141A11969X
50	70.4	24x2.54=60.96	141A11979X

P.C.B.-HOLE DRILLINGS



NOTES:

- INSULATOR: PBT 20% GF
- CONTACTS: COPPER ALLOY; GOLD PLATED
- WITHSTANDING VOLTAGE: 1000V DC OR AC PEAK
- CURRENT RATING: 1A
- CONTACT RESISTANCE: 20mOHM
- INSULATION RESISTANCE: 5000MOhm at 100V
- LIFE: 50 MATING CYCLES
- CONNECTOR IS PART MARKED: PART-NO. CONEC ABC

APPROVAL # FREIGABE # DEBLOCAGE # AUTOR/ZACION # APPROVAL

CUSTOMER APPROVAL DATE:

NAME: TITLE:

COMPANY NAME:

APPROVAL # FREIGABE # DEBLOCAGE # AUTOR/ZACION # APPROVAL



THIS DRAWING MAY NOT BE COPIED OR REPRODUCED IN ANY WAY, AND MAY NOT BE PASSED ON TO A THIRD PARTY WITHOUT WRITTEN PERMISSION.
 OWNERSHIP AND COPYRIGHT OF CONEC GmbH
 DO NOT ALTER CAD DRAWING BY HAND

tolerance		scale: 2:1	
2009	date	material: SEE NOTES	
drawn	14.12.	title: LOW PROFILE HEADER	
appd.	15.12.	10-50pos.	
norm	DIN 41651	with right angle solder pins	
d-old		dwg no: AutoCAD 2006 DIN-A	
a	Origin	14K1A026	
rev.	description	part no: SEE TABLE	
	date	sh: 1/1	
	name		

