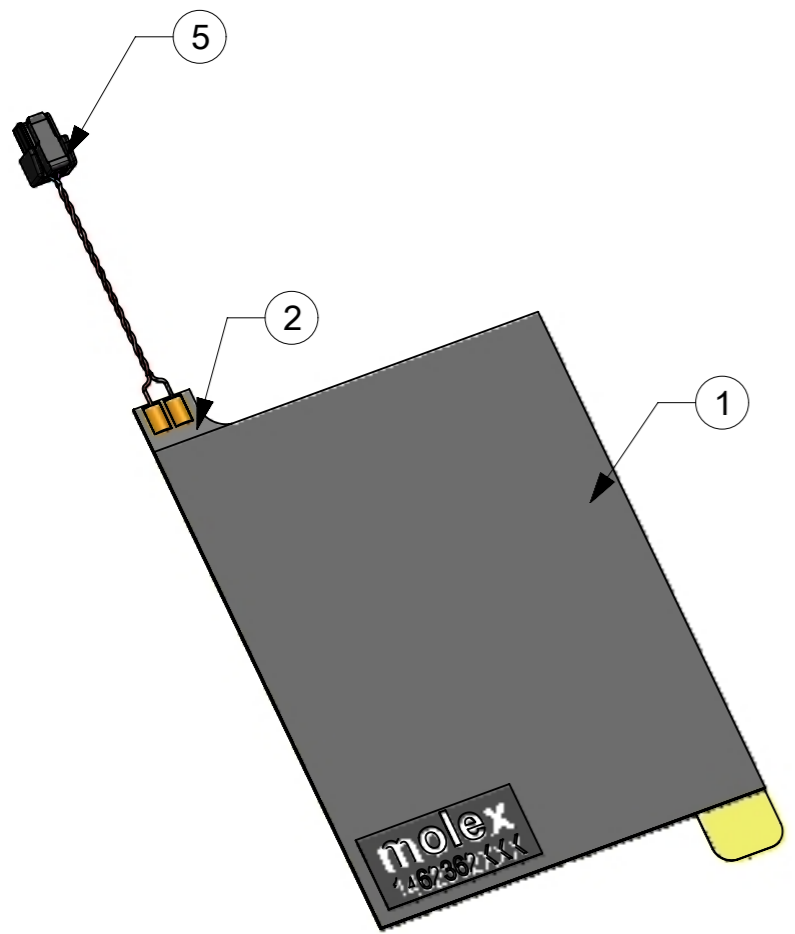


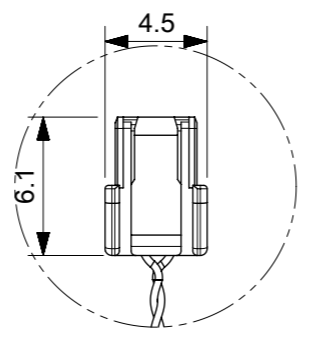
ITEM	MATERIAL	DESCRIPTION
1	FERRITE	BLACK
2	FLEX	BLACK
3	TWISTED PAIR	BLACK
4	TWISTED PAIR	RED
5	CONNECTOR	BLACK
6	RELEASE PAPER	YELLOW

REV	DATE	CHANGE DESCRIPTION
A1	2019/10/17	NEW RELEASE
A2	2019/11/25	UPDATE NOTES

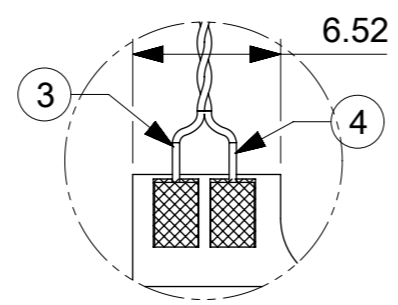


3D VIEW

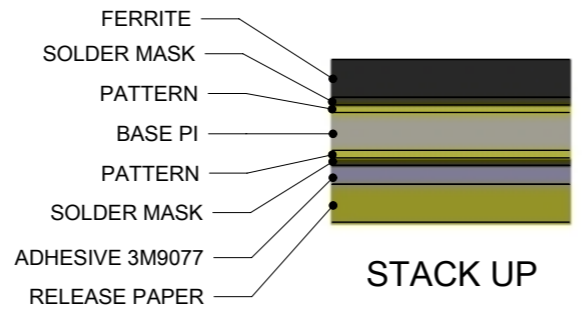
- NOTES:
- NFC ANTENNA THICKNESS 0.17±0.05mm.
NFC ANTENNA WITH FERRITE THICKNESS 0.27±0.07mm
 - CABLE INFORMATION:WIRE RANGE:28 AWG;
(MODEL:UL3302#28-7/0.13TA OD=0.7)
 - CONNECTOR MATERIAL:
HOUSINGS(MOLEX P/N:505565-0201)
TERMINALS(MOLEX P/N:505431-1000)
 - NFC ADHESIVE:3M 9077,THICKNESS:50um.



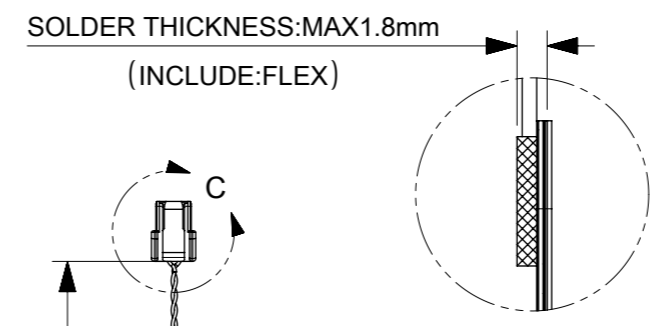
DETAIL C SCALE 3:1



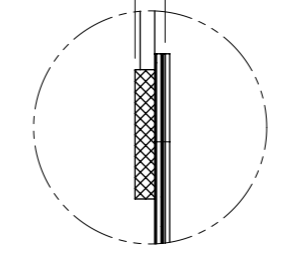
DETAIL A SCALE 3:1



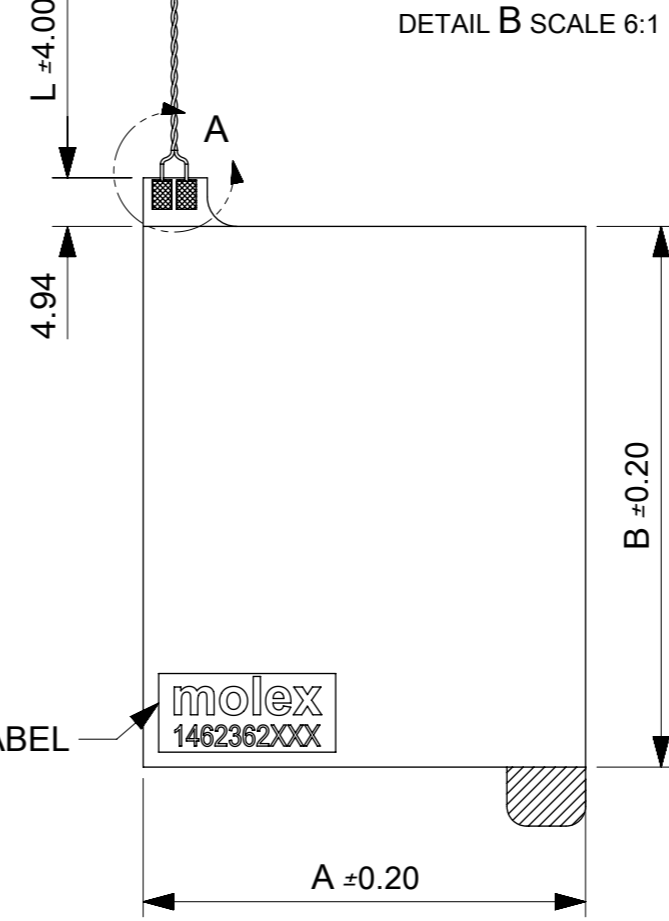
STACK UP



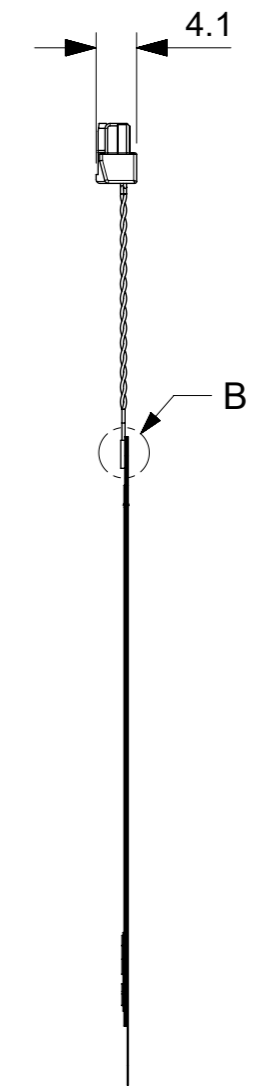
SOLDER THICKNESS:MAX1.8mm
(INCLUDE:FLEX)



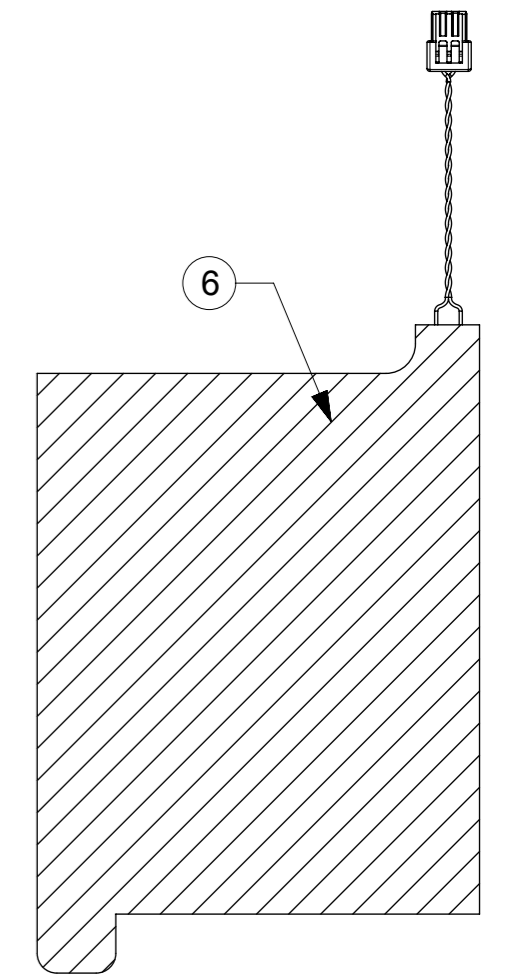
DETAIL B SCALE 6:1



TOP VIEW



SIDE VIEW



BOTTOM VIEW

MATERIAL P/N	A	B	"L"LENGTH	PRINT TEXT LABEL
1462362151	15	15	102mm	molex 1462362151
1462362102	15	25	102mm	molex 1462362102
1462362111	23	27.3	102mm	molex 1462362111
1462362122	34.39	46.10	102 mm	molex 1462362122
1462362131	45	55	102 mm	molex 1462362131

SYMBOLS DIMENSION UNITS: mm SCALE: 1:1 GENERAL TOLERANCES (UNLESS SPECIFIED): ANGULAR TOL ± ° 4 PLACES ± 3 PLACES ± 0.15 2 PLACES ± 0.2 1 PLACE ± 0.3 0 PLACES ± 0.5 DRAFT WHERE APPLICABLE MUST REMAIN WITHIN DIMENSIONS	THIS DRAWING CONTAINS INFORMATION THAT IS PROPRIETARY TO MOLEX ELECTRONIC TECHNOLOGIES, LLC AND SHOULD NOT BE USED WITHOUT WRITTEN PERMISSION		moLEX NFC COIL WITH AWG28 WIRE AND CONNECTOR	
	CURRENT REV DESC: EC NO: 636944 DRWN: KCHENG06 CHK'D: XJSONG APPR: XJSONG		2019/11/25 2020/05/05 2020/05/05	
	INITIAL REVISION: DRWN: KCHENG06 APPR: XJSONG		2019/06/06 2019/10/17	
	THIRD ANGLE PROJECTION DRAWING: A3-SIZE SERIES: 146236		DOCUMENT NUMBER: 1462362131 DOC TYPE: PSD DOC PART: 000 REVISION: A2 MATERIAL NUMBER: SEE TABLE A CUSTOMER: GENERAL MARKET SHEET NUMBER: 1 OF 1	