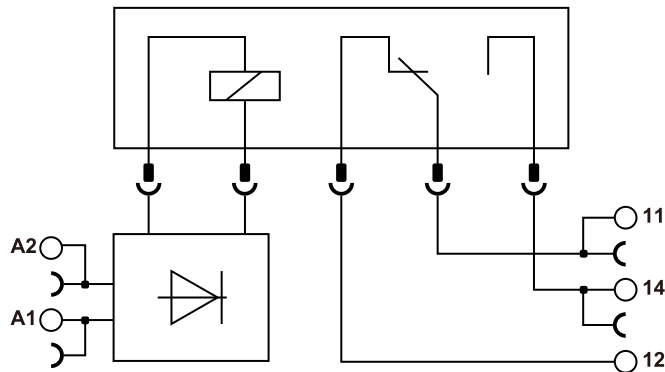


# RER-24-1A

Electronics & Interface > Slim Relay



The web catalog is for reference only. Dinkle remains the right of product modification and engineering change of the design. The final product is made according to engineering drawing.

## Specification

Coil	
Nominal input voltage	24VAC / VDC
Nominal input current	11.1mA
Typical response time	≤8ms
Typical release time	≤4ms
Protective circuit	Bridge rectifier Surge protection
Indicator	Green LED
Contact	
Contact type	1C
Contact material	AgNi
Contact rating (Res. load)	6V , 250VAC / 30VDC
Max. switching voltage	400VAC / 125VDC
Max. switching current	6A
Contact resistance	≤100mΩ (1A, 6VDC)
Mechanical endurance	1 x 10 <sup>7</sup> cycles
Electrical endurance	3 x 10 <sup>4</sup> cycles, NO 1 x 10 <sup>4</sup> cycles, NC
General	

Dielectric strength	Coil & contacts	4000VAC / 1min
	Open contacts	1000VAC / 1min
Ambient temperature		-40°C ~ 85°C
Ambient humidity		5% ~ 85% RH
Shock resistance	Functional	49m/s <sup>2</sup>
	Destructive	980m/s <sup>2</sup>
Vibration resistance		10Hz ~ 55Hz 1mm (dual amplitude)
T x W x H (mm)		6.2 x 96 x 78.8
Weight		30g
Solid/Stranded wire (AWG/mm <sup>2</sup> )		20-16 / 0.5-1.5
Connection method		Screw connection
Screw torque		0.5Nm
<b>Accessories Part No.</b>		
Plug-in bridge		0149-4S-20
DIN Rail		TS-35   TS-35/15
Tool		0.4x2.5 mm
End bracket		SS4N
Relay		RER-H1C-D24

## Approvals

