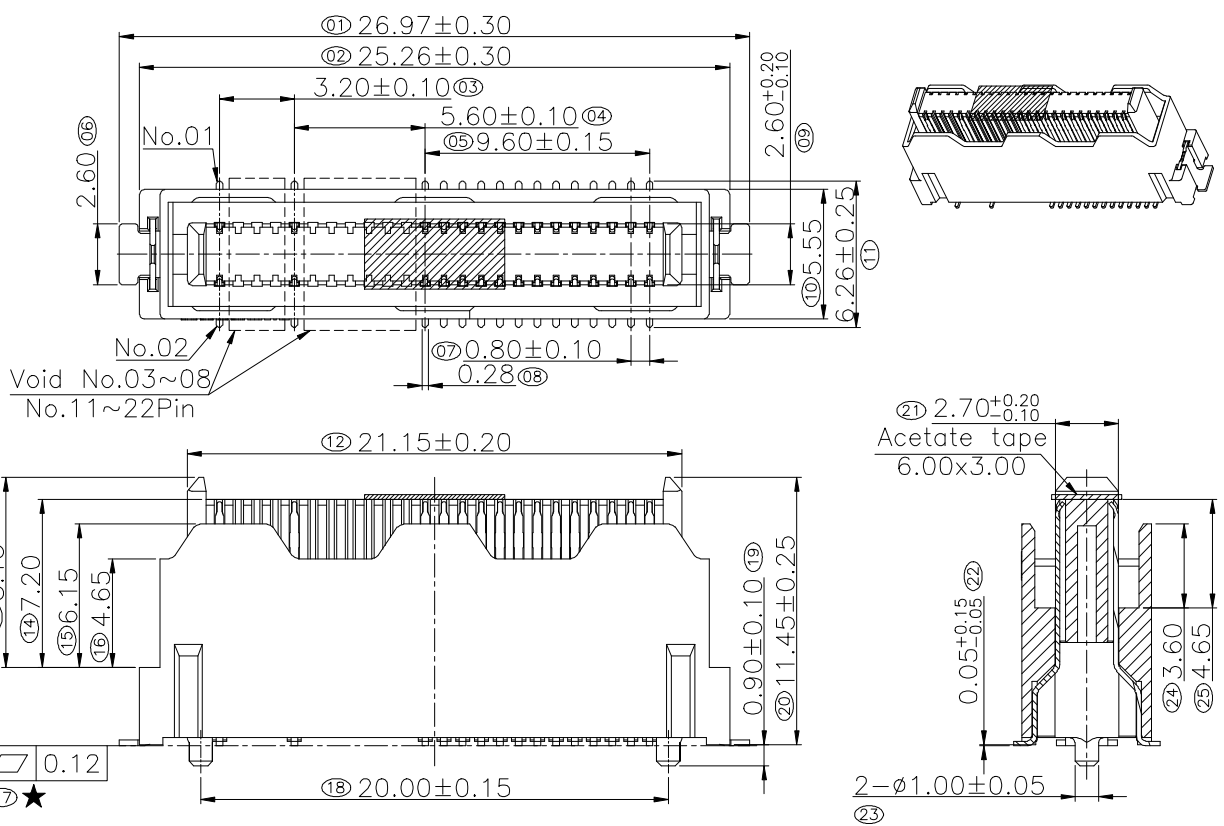


Greenconn P/N	Customer	Remarks
GBBC256-2402B650C1ZH	H135	Automotive Connector

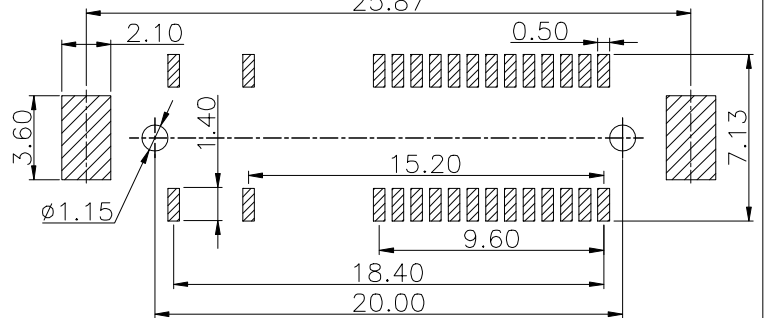
REV.	LOCAS.	DESCRIPTION	DATE	DRAWN
01	NEW	BATCH PRODUCTION INITIAL RELEASE.	2021.08.25	羅孝亮



Specifications:
 Current Rating:0.5Amp
 Insulation Resistance:500MΩ Min.
 0.8PITCH Dielectric Withstanding Voltage:250VAC.
 3.2PITCH Dielectric Withstanding Voltage:300VAC.
 Contact Resistance:100mΩ Max.
 Operating Temperature:-40°C to +105°C
 Materials
 Contact Material:Brass
 Insulator Material:High Temperature Thermoplastic,
 UL 94V-0 LCP or the equivalent material

☆ All materials must meet GREENCONN hazardous substances control standards.
 “★”: Critical Characteristics, indicates product characteristics, functionalities, and manufacturing processes regarding to customer’s specifications
 “☆”: Safety Features indicates product characteristics, functionalities, and manufacturing processes complying to legal regulations stated by local government

Recommended P.C.Board Layout
 (Tolerance:±0.05)



Ordering Information

G BBC256- XX XX B 650 C 1 Z X

No. of Pins per Row: 24
 Standard Plating: 02=Gold Flash/Tin
 Color: 1=Black
 Standard Packing: H=Acetate Tape+Tape&Reel

Website: www.greenconn.com
 E-mail: sales@greenconn.com

GENERAL TOLERANCE	
X'±5.0'	X.±0.30
.X'±3.0'	.X±0.25
.XX'±2.0'	.XX±0.15
.XXX'±1.0'	.XXX±0.10

DESIGNED: 羅孝亮	DATE: 2021.08.25
CHECKED:	DATE:
APPROVED:	DATE:

DWG. NO. GBBC256-CB650CZ
PART NO. GBBC256-24XXB650C1ZX

TITLE:
 0.8mm PITCH BTB
 FLOATING CONNECTOR