

注記 NOTES

1. 使用材料 MATERIAL

ウェハ：液晶ポリマー (LCP) ガラス充填 UL94V-0 (黒)  
 WAFER: LIQUID CRYSTAL POLYMER (GLASS FILLED)  
 UL94V-0 (COLOR:BLACK)

ピン：黄銅 (t=0.1)  
 PIN: BRASS (t=0.1)

金具：りん青銅 (t=0.12)  
 FITTING NAIL: PHOSPHOR BRONZE (t=0.12)

2. メッキ仕様 PLATING

ピン PIN

金メッキ 0.2マイクロメートル以上 (コンタクト部)  
 GOLD 0.2 MICROMETER MINIMUM (CONTACT AREA)

金メッキ 0.4マイクロメートル以下 (テール部)  
 GOLD 0.4 MICROMETER MAXIMUM (TAIL AREA)

下地メッキ：ニッケルメッキ 1.5 マイクロメートル以上  
 UNDER PLATING: NICKEL 1.5 MICROMETER MINIMUM

金具 FITTING NAIL

半田付け処理 (金・パラジウムコート)  
 SOLDERABILITY IMPROVEMENT COAT (Au & Pd-Ni COAT)

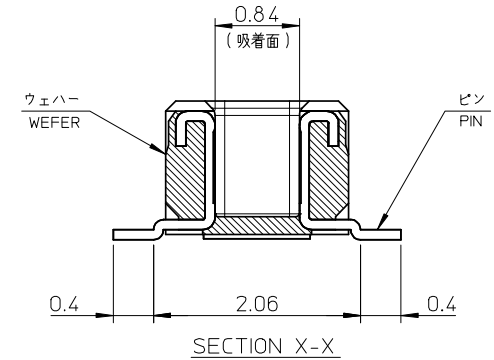
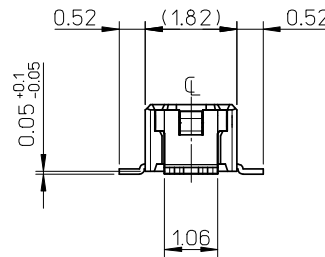
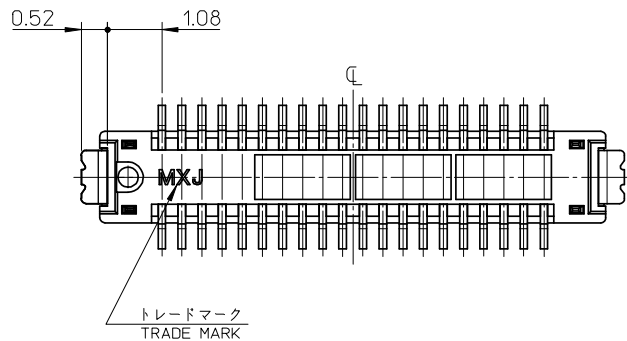
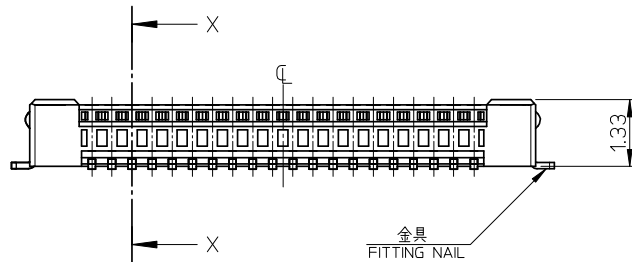
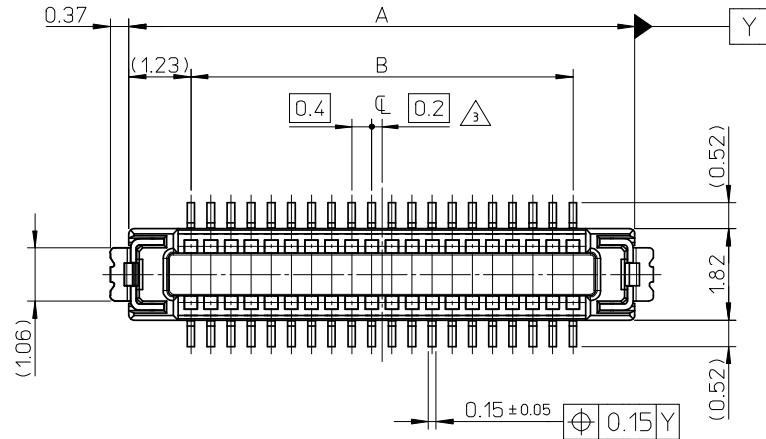
下地メッキ：ニッケルメッキ 1.0 マイクロメートル以上  
 UNDER PLATING: NICKEL 1.0 MICROMETER MINIMUM

△ (全極数/2) = 偶数の場合に適用。  
 APPLY ODR (CIRCUIT/2)=EVEN.

4. 嵌合相手：501635 シリーズ  
 MATE WITH: 501635 SERIES.

5. テール平坦度は、0.08 以下  
 TAIL COPLANARITY TO BE 0.08 MAXIMUM  
 テール及び金具の平坦度は、0.1 以下  
 TAIL AND FITTING NAIL COPLANARITY TO BE 0.1 MAXIMUM

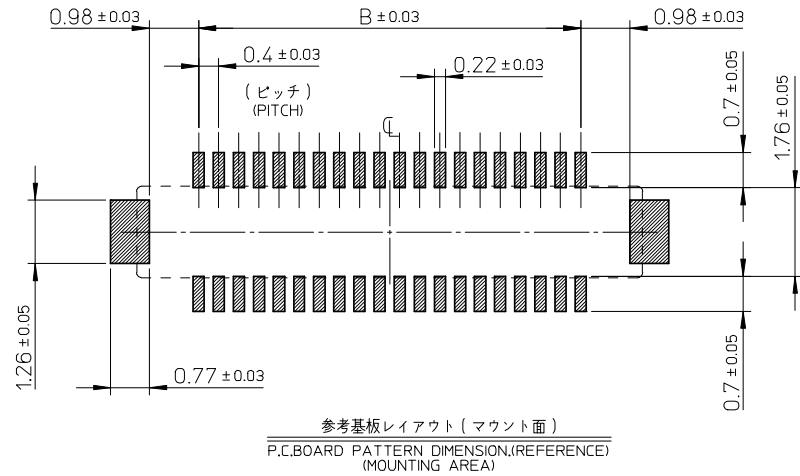
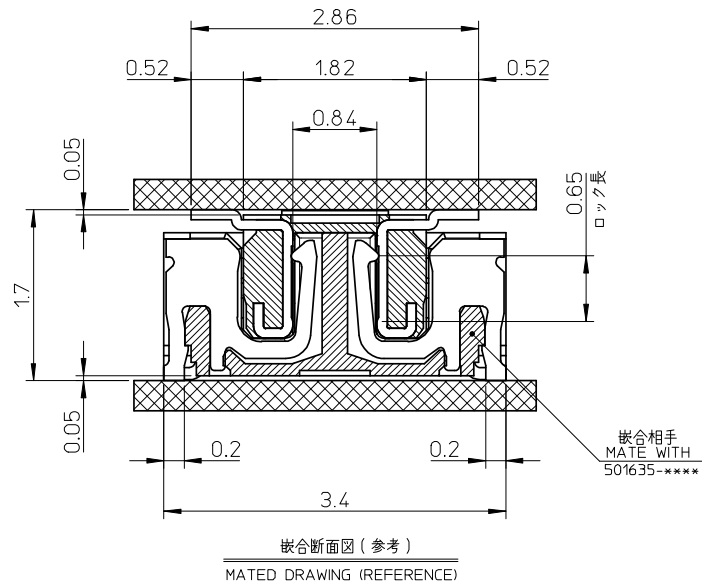
6. ELV AND RoHS COMPLIANT.



11.6	14.06	501639-0610	501639-0619	60
9.6	12.06	501639-0510	501639-0519	50
7.6	10.06	501639-0410	501639-0419	40
5.6	8.06	501639-0310	501639-0319	30
B	A	EMBOSSED TAPE ORDER No.	MATERIAL No.	CKT.

MODEL No. : 501639-\*\*19

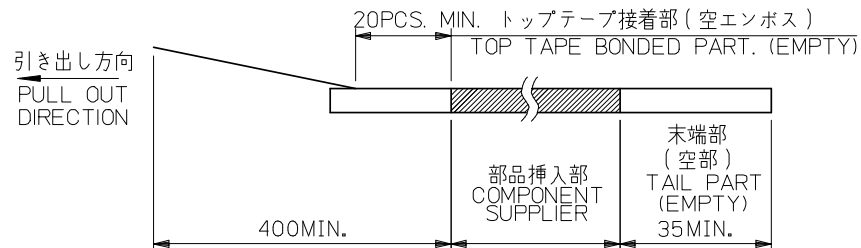
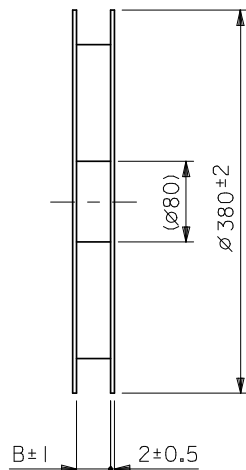
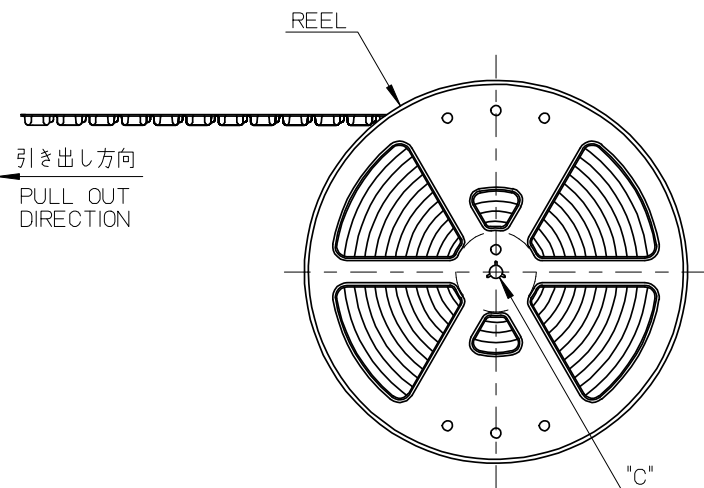
REVISED EC NO: J2009-0386 DRWN: YAQYAGI 2008/08/20 CHKD: HYAJIMA 2008/08/20 APPR: NUKITA 2008/08/20	DESCRIPTION REV	GENERAL TOLERANCES (UNLESS SPECIFIED)		DIMENSION STYLE MM ONLY		SCALE 10:1	DESIGN UNITS METRIC	THIRD ANGLE PROJECTION	
		10 UNDER	± 0.2	DRAWN BY RTAKEUCH	DATE 2005/10/27	TITLE 0.4 B-TO-B CONN. HGT=1.7 PLUG ASSY [OVERMOLD]			
		10 OVER 30 UNDER	± 0.25	CHECKED BY THIRATA	DATE 2005/10/27	MOLEX INCORPORATED DOCUMENT NO. SD-501639-001 SHEET NO. 1 OF 2			
		30 OVER	± 0.3	APPROVED BY MSASAO	DATE 2005/10/27				
ANGULAR ±3 °		DRAFT WHERE APPLICABLE MUST REMAIN WITHIN DIMENSIONS		MATERIAL NO. SEE TABLE		THIS DRAWING CONTAINS INFORMATION THAT IS PROPRIETARY TO MOLEX INCORPORATED AND SHOULD NOT BE USED WITHOUT WRITTEN PERMISSION			



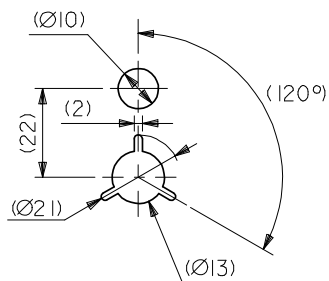
REVISED	EC NO: J2009-0386	DRWN: YA0YAGI 2008/08/20	GENERAL TOLERANCES (UNLESS SPECIFIED)	DIMENSION STYLE	SCALE	DESIGN UNITS	THIRD ANGLE PROJECTION
	DRWN: YA0YAGI 2008/08/20	CHKD: HYAJIMA 2008/08/20	10 UNDER ± 0.2	MM ONLY	10:1	METRIC	
	CHKD: HYAJIMA 2008/08/20	APPR: NUKITA 2008/08/20	10 OVER 30 UNDER ± 0.25	DRAWN BY DATE	TITLE		
	APPR: NUKITA 2008/08/20		30 OVER ± 0.3	RTAKEUCH 2005/10/27	0.4 B-TO-B CONN. HGT=1.7 PLUG ASSY [OVERMOLD]		
			ANGULAR ± 3 °	CHECKED BY DATE	MOLEX INCORPORATED		
			DRAFT WHERE APPLICABLE MUST REMAIN WITHIN DIMENSIONS	THIRATA 2005/10/27	DOCUMENT NO.		
				APPROVED BY DATE	SD-501639-001		
				MSASAO 2005/10/27	SHEET NO.		
				MATERIAL NO.	2 OF 2		
				SEE SHEET 1	THIS DRAWING CONTAINS INFORMATION THAT IS PROPRIETARY TO MOLEX INCORPORATED AND SHOULD NOT BE USED WITHOUT WRITTEN PERMISSION		

注記 NOTES

- 製品詳細寸法については製品単体図面を参照下さい。  
RE DETAILED DIMENSION, SEE PRODUCT DRAWING.
- 梱包数量: 5000 個/リール  
NUMBER OF CONNECTORS: 5000PCS/REEL
- リードテープ長さ LEAD TAPE LENGTH

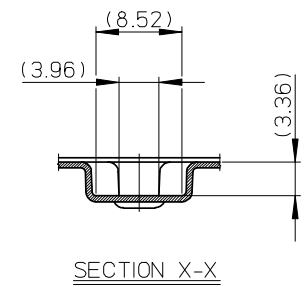
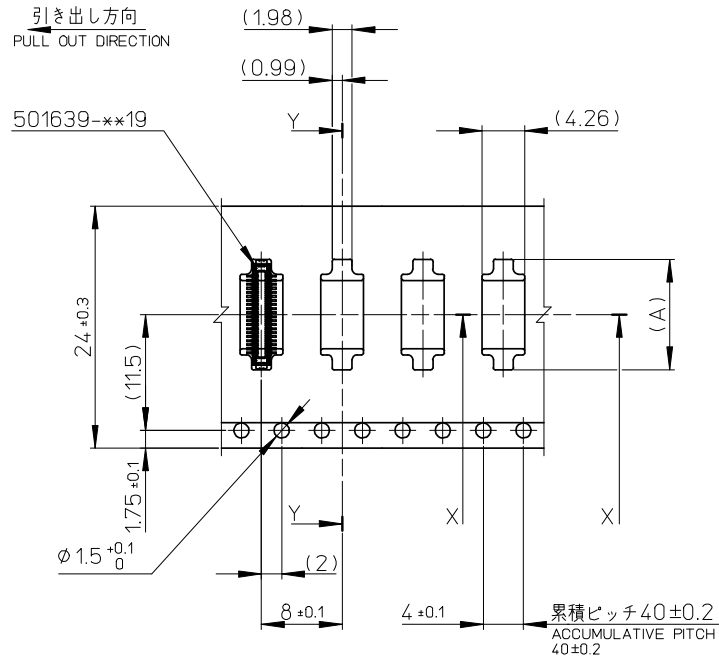
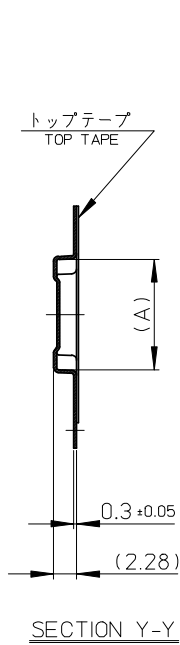


- 材料 MATERIAL  
 キャリアテープ (CARRIER TAPE): ポリスチレン (POLYSTYRENE)  
 トップテープ (TOP TAPE): PET, PE, PEF  
 リール (REEL): ポリスチレン (PS) <リサイクル材を含む>  
 POLYSTYRENE (PS) <RECYCLE MATERIAL CONTAINED>
- ELV AND RoHS COMPLIANT.



DETAIL "C"

REVISED		EC NO: J2009-0386		2008/08/20		DRWN: YAGI		2008/08/20		CHKD: HYAJIMA		2008/08/20		APPR: NUKITA		2008/08/20		MODEL NO.		501639-**10	
GENERAL TOLERANCES (UNLESS SPECIFIED)		DIMENSION STYLE		SCALE		DESIGN UNITS		THIRD ANGLE PROJECTION		DRAWN BY		DATE		TITLE		MATERIAL NO.		DOCUMENT NO.		SHEET NO.	
10 UNDER		MM ONLY		---		METRIC		THIRD ANGLE PROJECTION		RTAKEUCHI		2005/10/27		0.4 B-TO-B CONN. HGT=1.7 PLUG ASSY EMBSTP PKG		MSASAO		SD-501639-002		1 OF 2	
10 OVER 30 UNDER		DRAWN BY		DATE		MATERIAL NO.		SEE SHEET 2		APPROVED BY		DATE		MOLEX INCORPORATED		THIS DRAWING CONTAINS INFORMATION THAT IS PROPRIETARY TO MOLEX INCORPORATED AND SHOULD NOT BE USED WITHOUT WRITTEN PERMISSION					
30 OVER		ANGULAR		± --- °		DRAFT WHERE APPLICABLE MUST REMAIN WITHIN DIMENSIONS		SIZE		A3											



24mm 幅キャリアテープ  
24mm WIDTH CARRIER TAPE

24	25.5	14.96	501639-0610	60	
		12.96	501639-0510	50	
		10.96	501639-0410	40	
		8.96	501639-0310	30	
キャリアテープ幅 CARRIER TAPE WIDTH		B	(A)	MATERIAL No.	CKT.
			MODEL No.	501639-**10	

REVISED EC NO: J2009-0386 DRWN: YAGYAGI CHKD: HYAJIMA APPR: NUKITA	2008/08/20	2008/08/20	2008/08/20	GENERAL TOLERANCES (UNLESS SPECIFIED)  10 UNDER ± --- 10 OVER 30 UNDER ± --- 30 OVER ± --- ANGULAR ± --- ° DRAFT WHERE APPLICABLE MUST REMAIN WITHIN DIMENSIONS	DIMENSION STYLE MM ONLY	SCALE ---	DESIGN UNITS METRIC	THIRD ANGLE PROJECTION
	DESCRIPTION	DRAWN BY	DATE		TITLE			
		RTAKEUCHI	2005/10/27		0.4 B-TO-B CONN. HGT=1.7 PLUG ASSY EMBSTP PKG			
		THIRATA	2005/10/27					
		APPROVED BY	DATE					
	MSASAO	2005/10/27						
	MATERIAL NO.	DOCUMENT NO.	SHEET NO.					
	SEE TABLE	SD-501639-002	2 OF 2					
					THIS DRAWING CONTAINS INFORMATION THAT IS PROPRIETARY TO MOLEX INCORPORATED AND SHOULD NOT BE USED WITHOUT WRITTEN PERMISSION			