

KNOB LOCK (PLASTIC)



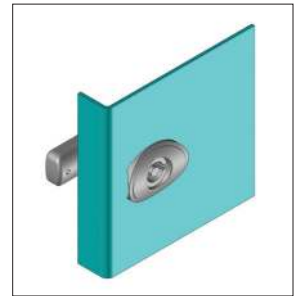
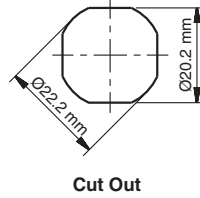
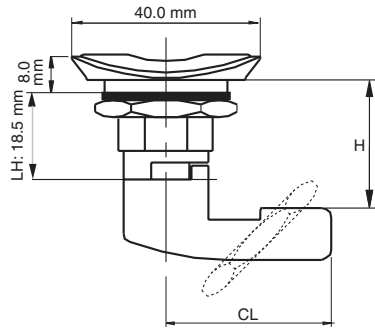
*Example with cam. Cam sold separately.

Specifications

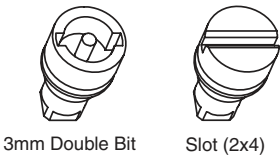
- Material:
 - Housing: Polyamide DIN-EN ISO 1043-1 PA6 GFR 30
 - Driver: Zinc Alloy (Zamak) or PA6 GFR 30
 - Nut: Zinc Alloy (Zamak) or PA6 GFR 30
 - Cam: Steel or Plastic

Features

- Designed to act as a knob
- Applications: Electric panels, machinery covers



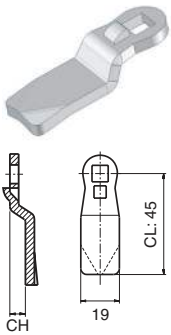
Driver/Head Style



| Item Number | | Zinc Alloy / Chrome | Zinc Alloy / Black | Nylon / Black | Driver | Cam |
|-------------|-----------|---------------------|--------------------|---------------|----------------|------------------|
| 060111300 | 060121300 | - | - | 060201300 | 3mm Double Bit | Select Cam Below |
| - | - | - | - | 060204200 | Slot (2x4) | Select Cam Below |

| Item Number | Housing | Driver Material | Driver | Cam |
|-------------|---------|--------------------|----------------|------------------|
| 16120124200 | Nylon | Zinc Alloy (Zamak) | Slot (2x4) | Select Cam Below |
| 16120201300 | Nylon | Nylon | 3mm Double Bit | Select Cam Below |
| 16120204200 | Nylon | Nylon | Slot (2x4) | Select Cam Below |

Steel Cam

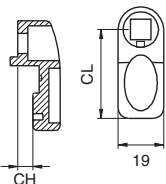


Material: Steel
Finish: Zinc plated
Thickness: 4 mm

| Item Number | CH (mm) | CL (mm) | H (mm) |
|-------------|---------|---------|--------|
| 30403033 | 0 | 45 | 18.5 |
| 30403439 | 1 | 45 | 19.5 |
| 30403159 | 2 | 45 | 20.5 |
| 30403063 | 3 | 45 | 21.5 |
| 30403149 | 4 | 45 | 22.5 |
| 30403160 | 6 | 45 | 24.5 |
| 30403161 | 8 | 45 | 26.5 |
| 30403162 | 10 | 45 | 28.5 |
| 30403045 | 12 | 45 | 30.5 |
| 30403163 | 14 | 45 | 32.5 |
| 30403151 | 16 | 45 | 34.5 |
| 30403165 | 18 | 45 | 36.5 |

| Item Number | CH (mm) | CL (mm) | H (mm) |
|-------------|---------|---------|--------|
| 30403166 | 20 | 45 | 38.5 |
| 30403167 | 22 | 45 | 40.5 |
| 30403168 | 24 | 45 | 42.5 |
| 30403169 | -2 | 45 | 16.5 |
| 30403170 | -4 | 45 | 14.5 |
| 30403171 | -6 | 45 | 12.5 |
| 30403172 | -8 | 45 | 10.5 |
| 30403173 | -10 | 45 | 8.5 |
| 30403174 | -12 | 45 | 6.5 |
| 30403175 | -14 | 45 | 4.5 |

Nylon Cam



| Item Number | CH (mm) | CL (mm) | H (mm) |
|-------------|---------|---------|--------|
| 30402004 | 0 | 35 | 18.5 |
| 30402011 | 0 | 25 | 18.5 |
| 30402005 | 6 | 35 | 24.5 |
| 30402008 | 4 | 45 | 22.5 |
| 30402013 | -4 | 45 | 14.5 |