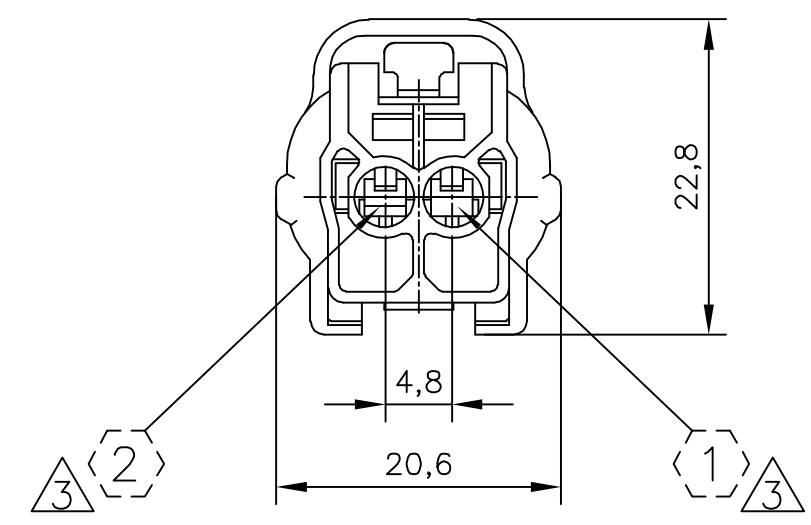
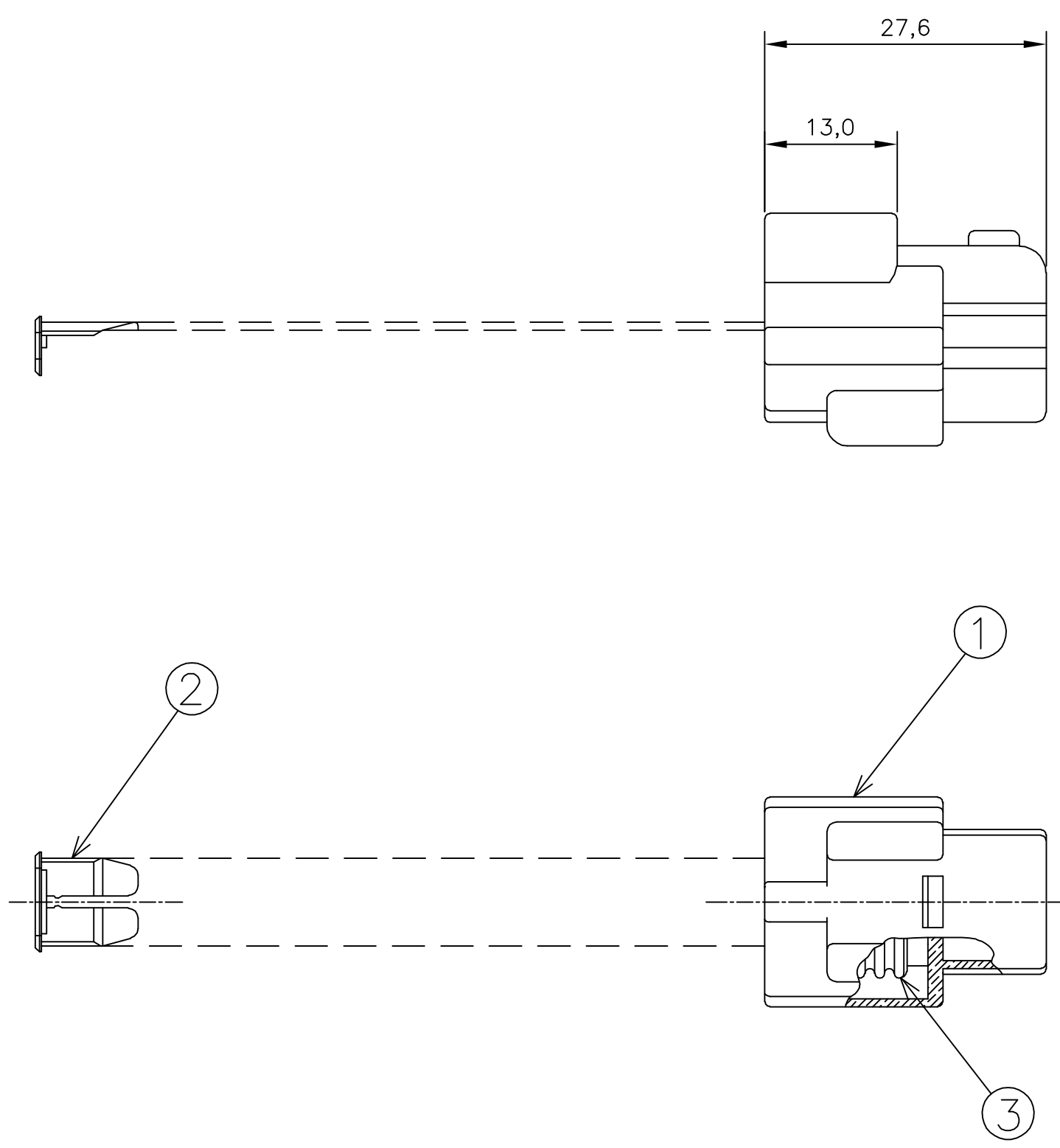


THIS DRAWING IS UNPUBLISHED. RELEASED FOR PUBLICATION
 © COPYRIGHT - By - ALL RIGHTS RESERVED.

LOC	DIST	REVISIONS			
P	LTR	DESCRIPTION	DATE	DWN	APVD
AP	-	A1	REVISED DESIGN ECO-12-009649	23MAY2012	NCL GOJ



- 1 - OS ITENS 1 e 2 DEVEM SER FORNECIDOS DESMONTADOS
ITEMS 1 AND 2 MUST BE SUPPLIED NOT ASSEMBLED
- 2 - OS ITENS 1 e 3 DEVEM SER FORNECIDOS MONTADOS
ITEMS 1 AND 2 MUST BE SUPPLIED ASSEMBLED
- 3 - INDICAÇÃO DOS CIRCUITOS SOMENTE ORIENTATIVO: NÃO CONSTAM COMO GRAVAÇÃO NA PEÇA FÍSICA
CIRCUIT INDICATION IS ONLY ORIENTATIVE: DON'T HAVE MARKING IN THE PHYSICAL PART
- 4 - CONTRA-PEÇA: VER DESENHO PN 881772
COUNTER-PART: SEE DRAWING PN 881772

SELOS RECOMENDADOS RECOMMENDED WIRE SEALS					
PART NUMBER	DESCRIÇÃO DESCRIPTION	WIRE RANGE	INSULATION RANGE	MATERIAL	ACABAMENTO FINISH
172748-1	SINGLE WIRE SEAL	CAVITY PLUG	CAVITY PLUG	SILICONE / SILICON	PRETO/BLACK
172748-2	SINGLE WIRE SEAL	CAVITY PLUG	CAVITY PLUG	SILICONE / SILICON	CINZA/GRAY
444430-1	SINGLE WIRE SEAL	0,5 TO 1,5mm ²	Ø 1,4 TO 2,4mm	SILICONE / SILICON	MARROM/BROWN

TERMINAIS RECOMENDADOS RECOMMENDED TERMINALS					
PART NUMBER	DESCRIÇÃO DESCRIPTION	WIRE RANGE	INSULATION RANGE	MATERIAL	ACABAMENTO FINISH
880694-1	TERMINAL 1.8 ECONOSEAL "J" SERIES MARKII REC	0,5 TO 1,0mm ²	Ø 1,4 TO 2,0mm	LATÃO/BRASS	PRÉ ESTANHADO/PRE TIN
880694-2	TERMINAL 1.8 ECONOSEAL "J" SERIES MARKII REC	0,5 TO 1,0mm ²	Ø 1,4 TO 2,0mm	BRONZE	PRÉ ESTANHADO/PRE TIN
880697-1	TERMINAL 1.8 ECONOSEAL "J" SERIES MARKII REC	0,5 TO 1,0mm ²	Ø 1,4 TO 2,4mm	LATÃO/BRASS	PRÉ ESTANHADO/PRE TIN
880697-2	TERMINAL 1.8 ECONOSEAL "J" SERIES MARKII REC	0,5 TO 1,0mm ²	Ø 1,4 TO 2,4mm	BRONZE	PRÉ ESTANHADO/PRE TIN
880697-3	TERMINAL 1.8 ECONOSEAL "J" SERIES MARKII REC	0,5 TO 1,0mm ²	Ø 1,4 TO 2,4mm	LATÃO/BRASS	PRÉ PRATEADO/PRE SILVER
880698-1	TERMINAL 1.8 ECONOSEAL "J" SERIES MARKII REC	1,0 TO 1,5mm ²	Ø 1,4 TO 2,4mm	LATÃO/BRASS	PRÉ ESTANHADO/PRE TIN
880698-2	TERMINAL 1.8 ECONOSEAL "J" SERIES MARKII REC	1,0 TO 1,5mm ²	Ø 1,4 TO 2,4mm	BRONZE	PRÉ ESTANHADO/PRE TIN

REQ. PER ASSY	ITEM NO	DESCRIÇÃO DESCRIPTION	MATERIAL	ACABAMENTO FINISH
1	3	SEAL RING	SILICON	PRETO / BLACK
1	2	DOUBLE LOCK 2 POSN. ECONOSEAL "J" MARK II	PBT	AMARELO / YELLOW
1	1	PLUG HSG, 2 POSN. ECONOSEAL "J" MARK II	PBT	PRETO / BLACK
-1				
881773				

THIS DRAWING IS A CONTROLLED DOCUMENT.

DIMENSIONS: mm	TOLERANCES UNLESS OTHERWISE SPECIFIED:	DWN NCLapresa 17MAY2011	TE Connectivity	
	0 PLC ± -	CHK José R. Goldschmidt 20MAY2011	NAME	
	1 PLC ± 0,3	APVD Mauricio Gisoldi 20MAY2011	-	
	2 PLC ± -	PRODUCT SPEC	KIT ECONOSEAL "J" 2 POSN.	
	3 PLC ± -	APPLICATION SPEC	-	
	4 PLC ± -	WEIGHT	SIZE	CAGE CODE
	ANGLES ± 1°	FINISH	A2	00779
MATERIAL VER TABELA	VER TABELA	CUSTOMER DRAWING	DRAWING NO C=881773	RESTRICTED TO
			SCALE 2:1	SHEET 1 OF 1
			REV A1	

881773