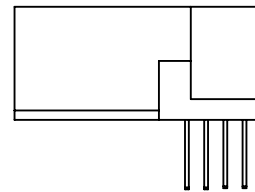
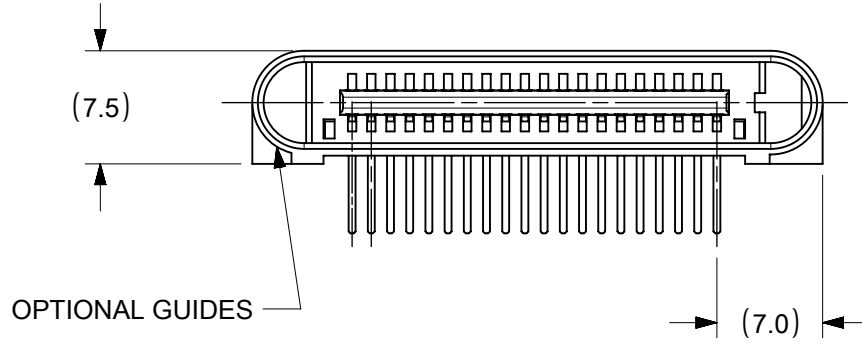
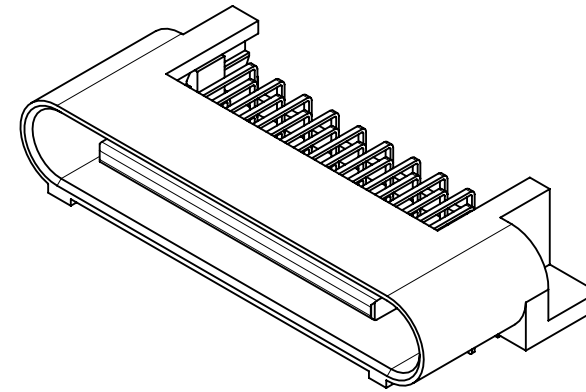
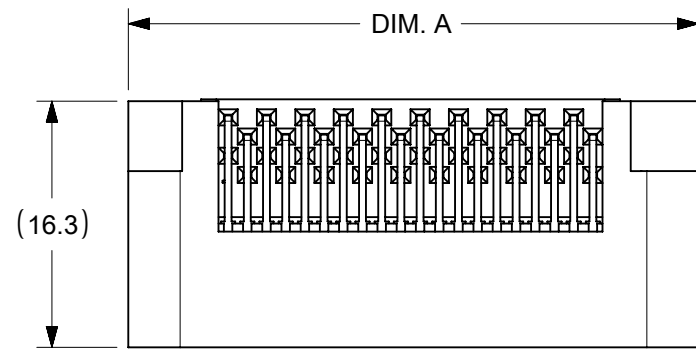


| NO OF SIGNAL | MATERIAL NUMBER | DIM A | DIM P | PCB THK |
|--------------|-----------------|-------|-------|---------|
| 12 | 45985-0111 | 12.5 | 4.50 | 3.18 |
| 16 | 45985-0121 | 15.0 | | |
| 20 | 45985-0131 | 17.6 | | |
| 24 | 45985-0141 | 20.1 | | |
| 28 | 45985-0151 | 22.6 | | |
| 32 | 45985-0161 | 25.2 | | |
| 36 | 45985-0171 | 27.7 | 3.60 | 2.36 |
| 40 | 45985-0181 | 30.3 | | |
| 12 | 45985-0112 | 12.5 | | |
| 16 | 45985-0122 | 15.0 | | |
| 20 | 45985-0132 | 17.6 | | |
| 24 | 45985-0142 | 20.1 | | |
| 28 | 45985-0152 | 22.6 | 2.90 | 1.57 |
| 32 | 45985-0162 | 25.2 | | |
| 36 | 45985-0172 | 27.7 | | |
| 40 | 45985-0182 | 30.3 | | |
| 12 | 45985-0113 | 12.5 | | |
| 16 | 45985-0123 | 15.0 | | |
| 20 | 45985-0133 | 17.6 | | |
| 24 | 45985-0143 | 20.1 | | |
| 28 | 45985-0153 | 22.6 | | |
| 32 | 45985-0163 | 25.2 | | |
| 36 | 45985-0173 | 27.7 | | |
| 40 | 45985-0183 | 30.3 | | |

NOTES:

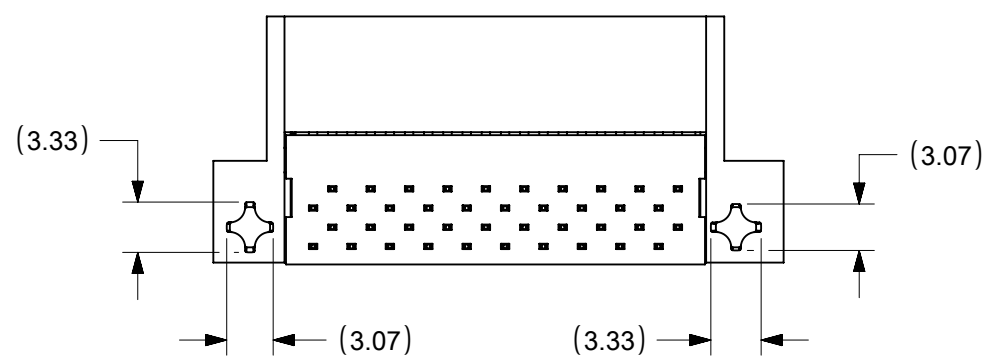
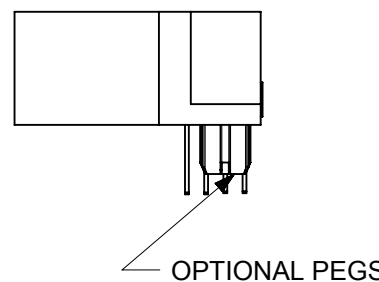
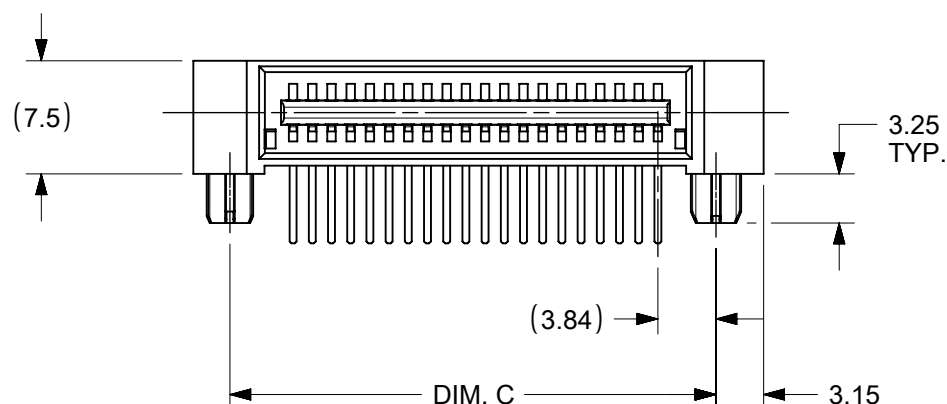
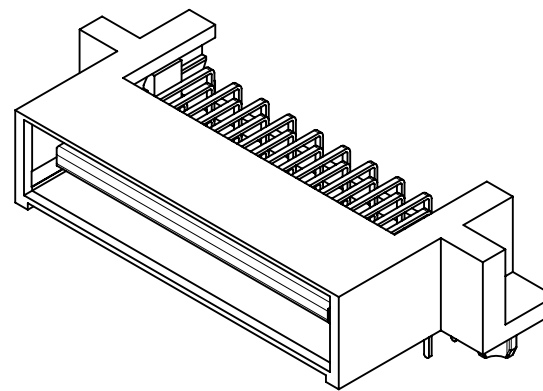
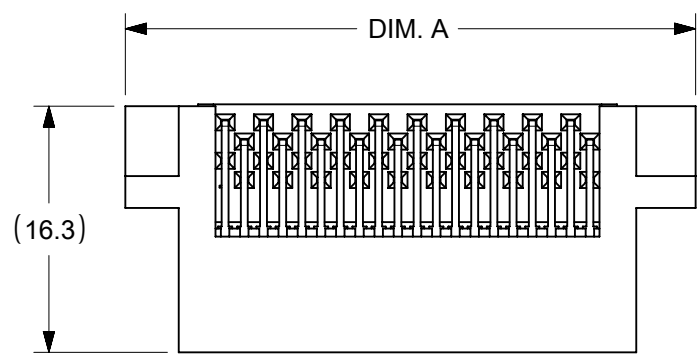
- MATERIAL:
HOUSING: GLASS FILLED LCP (LIQUID CRYSTAL POLYMER); UL94V-0; COLOR: BLACK
TERMINALS: COPPER ALLOY
- PLATING: 0.76 MICROMETER / (30 MICROINCH) MINIMUM SELECT GOLD
3.81 MICROMETER / (150 MICROINCH) MINIMUM SELECT TIN, BOTH OVER
1.27 MICROMETER / (50 MICROINCH) MINIMUM NICKEL OVERALL.
- PRODUCT SPECIFICATION: PS-45984-001.
- PACKAGING SPECIFICATION: PK-45984-001.
- SEE SHEET 5 FOR CIRCUIT IDENTIFICATION.
- PARTS ARE RoHS COMPLIANT.
- MATES WITH 45984, 46113 SERIES RECEPTACLE.

| | | | | | | | | | |
|---|--|--|--|------------------------|--|---|--|--------|--|
| THIS DRAWING CONTAINS INFORMATION THAT IS PROPRIETARY TO MOLEX ELECTRONIC TECHNOLOGIES, LLC AND SHOULD NOT BE USED WITHOUT WRITTEN PERMISSION | | | | | | | | | |
| SYMBOLS | | DIMENSION UNITS | | SCALE | | CURRENT REV DESC: CIRCUIT NO. 1 AND 2 ON PCB ARE CORRECTED | | | |
| ▽ = 0 | | mm | | 2:1 | | <p>molex</p> <p>LPH PLUG ASSEMBLY SIGNAL CONNECTOR</p> <p>PRODUCT CUSTOMER DRAWING</p> <p>DOCUMENT NUMBER: SD-45985-483 DOC TYPE: PSD DOC PART: 001 REVISION: D1</p> <p>MATERIAL NUMBER: SEE CHART CUSTOMER: GENERAL MARKET SHEET NUMBER: 1 OF 5</p> | | | |
| ▽ = 0 | | GENERAL TOLERANCES (UNLESS SPECIFIED) | | | | | | | |
| ▽ = 0 | | MM | | INCH | | | | | |
| ▽ = 0 | | 4 PLACES ± | | ± | | | | | |
| ▽ = 0 | | 3 PLACES ± | | ± | | | | | |
| ▽ = 0 | | 2 PLACES ± | | ± 0.25 ± | | | | | |
| ▽ = 0 | | 1 PLACE ± | | ± | | | | | |
| ▽ = 0 | | 0 PLACES ± | | ± | | | | | |
| ▽ = 0 | | ANGULAR TOL | | ± 0.5 ° | | <p>EC NO: 676774</p> <p>DRWN: CHETAB 2021/09/02</p> <p>CHK'D: MBELLE 2021/09/07</p> <p>APPR: HTHYAGARAJ 2021/09/09</p> <p>INITIAL REVISION:</p> <p>DRWN: BANDURA 5/1/2006</p> <p>APPR: PATEL 5/5/2006</p> | | | |
| ▽ = 0 | | DRAFT WHERE APPLICABLE MUST REMAIN WITHIN DIMENSIONS | | THIRD ANGLE PROJECTION | | DRAWING | | SERIES | |
| ▽ = 0 | | | | B-SIZE | | 45985 | | | |



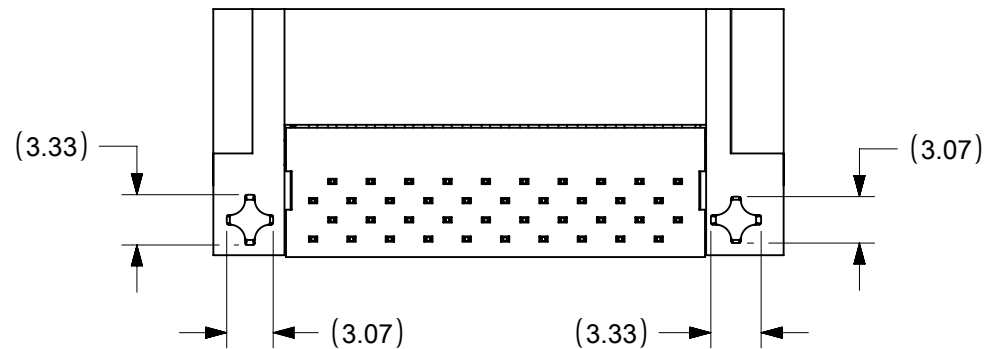
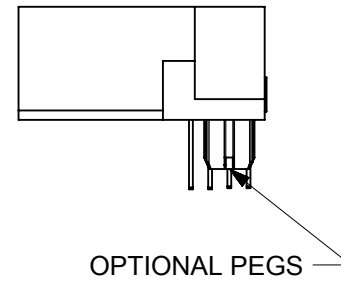
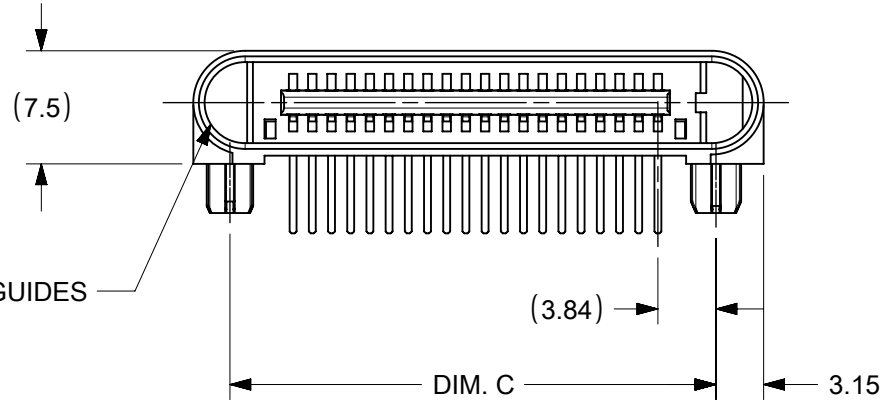
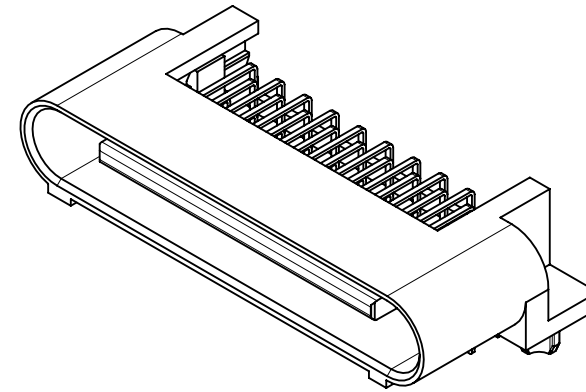
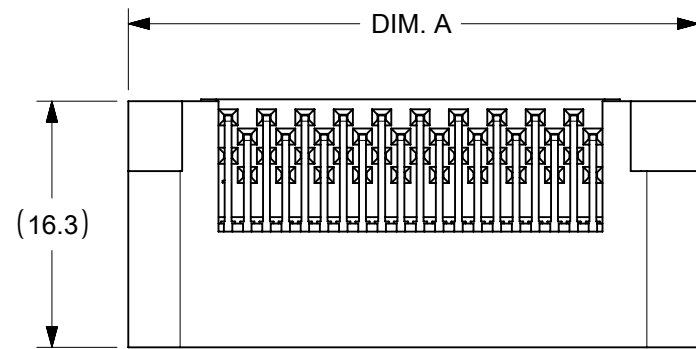
| NO OF SIGNAL | MATERIAL NUMBER | DIM A | DIM P | PCB THK |
|--------------|-----------------|-------|-------|---------|
| 12 | 45985-0211 | 19.9 | 4.50 | 3.18 |
| 16 | 45985-0221 | 22.5 | | |
| 20 | 45985-0231 | 25.0 | | |
| 24 | 45985-0241 | 27.6 | | |
| 28 | 45985-0251 | 30.1 | | |
| 32 | 45985-0261 | 32.6 | 3.60 | 2.36 |
| 36 | 45985-0271 | 35.2 | | |
| 40 | 45985-0281 | 37.7 | | |
| 12 | 45985-0212 | 19.9 | | |
| 16 | 45985-0222 | 22.5 | | |
| 20 | 45985-0232 | 25.0 | 2.90 | 1.57 |
| 24 | 45985-0242 | 27.6 | | |
| 28 | 45985-0252 | 30.1 | | |
| 32 | 45985-0262 | 32.6 | | |
| 36 | 45985-0272 | 35.2 | | |
| 40 | 45985-0282 | 37.7 | 2.90 | 1.57 |
| 12 | 45985-0213 | 19.9 | | |
| 16 | 45985-0223 | 22.5 | | |
| 20 | 45985-0233 | 25.0 | | |
| 24 | 45985-0243 | 27.6 | | |
| 28 | 45985-0253 | 30.1 | | |
| 32 | 45985-0263 | 32.6 | | |
| 36 | 45985-0273 | 35.2 | | |
| 40 | 45985-0283 | 37.7 | | |

| | | | | | |
|---------|---|------------------------|---|---|------|
| SYMBOLS | THIS DRAWING CONTAINS INFORMATION THAT IS PROPRIETARY TO MOLEX ELECTRONIC TECHNOLOGIES, LLC AND SHOULD NOT BE USED WITHOUT WRITTEN PERMISSION | | | | |
| | DIMENSION UNITS | SCALE | CURRENT REV DESC: CIRCUIT NO. 1 AND 2 ON PCB ARE CORRECTED | | |
| ▽ = 0 | mm | 2:1 | molex LPH PLUG ASSEMBLY SIGNAL CONNECTOR PRODUCT CUSTOMER DRAWING | | |
| ▽ = 0 | GENERAL TOLERANCES (UNLESS SPECIFIED) | | | | |
| ▽ = 0 | | MM | | | INCH |
| ▽ = 0 | 4 PLACES ± | ± | | | ± |
| ▽ = 0 | 3 PLACES ± | ± | | | ± |
| ▽ = 0 | 2 PLACES ± | 0.25 | ± | EC NO: 676774 DRWN: CHETAB 2021/09/02 CHK'D: MBELLE 2021/09/07 APPR: HTHYAGARAJ 2021/09/09 | |
| ▽ = 0 | 1 PLACE ± | ± | ± | INITIAL REVISION: | |
| ▽ = 0 | 0 PLACES ± | ± | ± | DRWN: BANDURA 5/1/2006 APPR: PATEL 5/5/2006 | |
| ▽ = 0 | ANGULAR TOL ± | 0.5° | DOCUMENT NUMBER: SD-45985-483 DOC TYPE: PSD DOC PART: 001 REVISION: D1 | | |
| ▽ = 0 | DRAFT WHERE APPLICABLE MUST REMAIN WITHIN DIMENSIONS | THIRD ANGLE PROJECTION | DRAWING | SHEET NUMBER | |
| ▽ = 0 | | | B-SIZE | 45985 | |
| | | | SEE CHART | GENERAL MARKET | |
| | | | | 2 OF 5 | |



| NO OF SIGNAL | MATERIAL NUMBER | DIM A | DIM C | DIM P | PCB THK |
|--------------|-----------------|-------|-------|-------|---------|
| 12 | 45985-0311 | 19.9 | 14.37 | 4.50 | 3.18 |
| 16 | 45985-0321 | 22.5 | 16.91 | | |
| 20 | 45985-0331 | 25.0 | 19.45 | | |
| 24 | 45985-0341 | 27.6 | 21.99 | | |
| 28 | 45985-0351 | 30.1 | 24.53 | | |
| 32 | 45985-0361 | 32.6 | 27.07 | 3.60 | 2.36 |
| 36 | 45985-0371 | 35.2 | 29.61 | | |
| 40 | 45985-0381 | 37.7 | 32.15 | | |
| 12 | 45985-0312 | 19.9 | 14.37 | | |
| 16 | 45985-0322 | 22.5 | 16.91 | | |
| 20 | 45985-0332 | 25.0 | 19.45 | 2.90 | 1.57 |
| 24 | 45985-0342 | 27.6 | 21.99 | | |
| 28 | 45985-0352 | 30.1 | 24.53 | | |
| 32 | 45985-0362 | 32.6 | 27.07 | | |
| 36 | 45985-0372 | 35.2 | 29.61 | | |
| 40 | 45985-0382 | 37.7 | 32.15 | 2.90 | 1.57 |
| 12 | 45985-0313 | 19.9 | 14.37 | | |
| 16 | 45985-0323 | 22.5 | 16.91 | | |
| 20 | 45985-0333 | 25.0 | 19.45 | | |
| 24 | 45985-0343 | 27.6 | 21.99 | | |
| 28 | 45985-0353 | 30.1 | 24.53 | 2.90 | 1.57 |
| 32 | 45985-0363 | 32.6 | 27.07 | | |
| 36 | 45985-0373 | 35.2 | 29.61 | | |
| 40 | 45985-0383 | 37.7 | 32.15 | | |

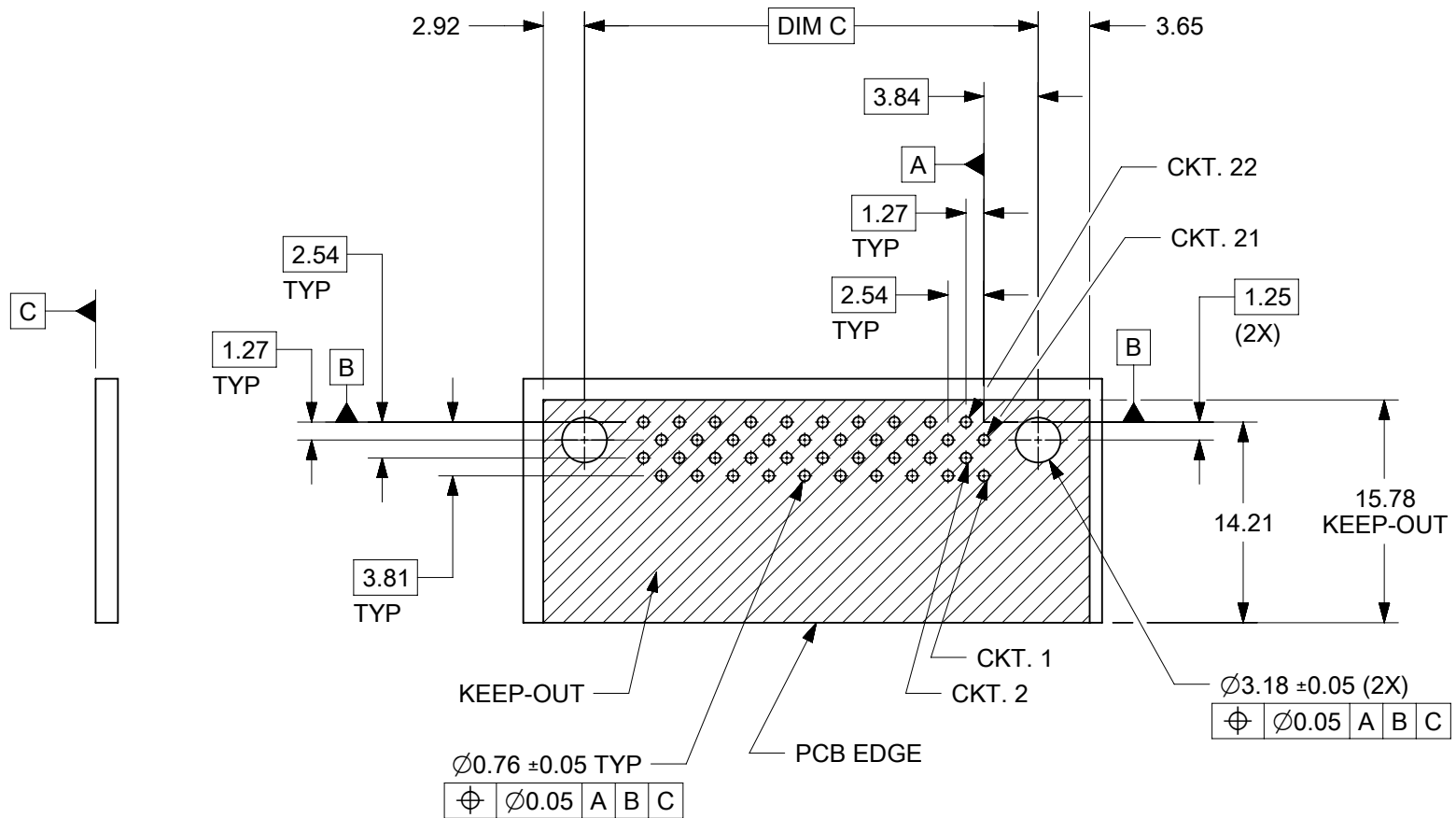
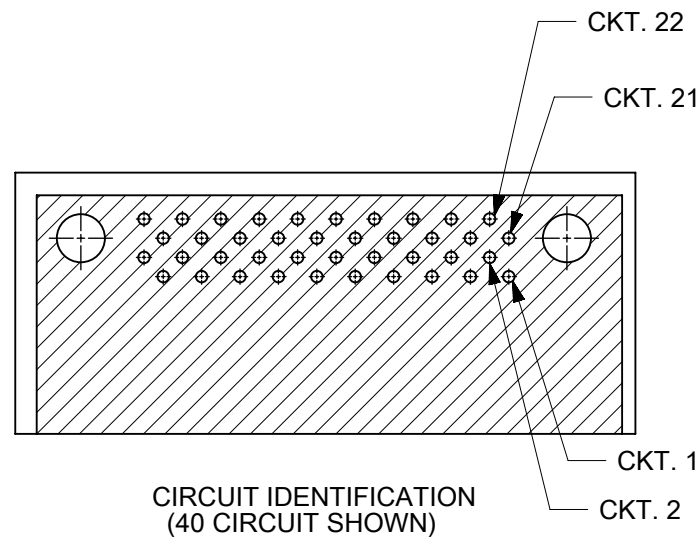
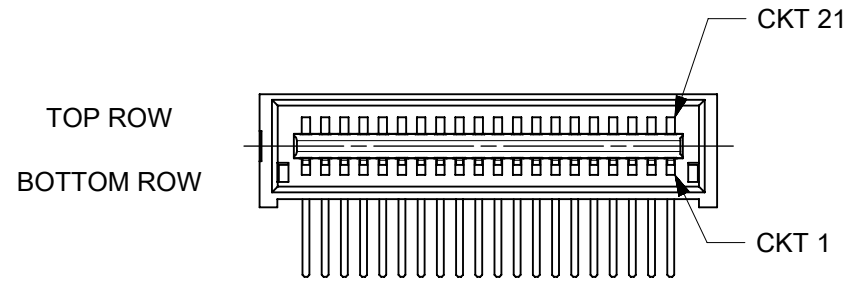
| | | | | | |
|---|---|--|--|--|--|
| SYMBOLS DIMENSION UNITS: mm SCALE: 2:1 GENERAL TOLERANCES (UNLESS SPECIFIED): 4 PLACES ± 3 PLACES ± 2 PLACES ± 0.25 1 PLACE ± 0 PLACES ± ANGULAR TOL ± 0.5° DRAFT WHERE APPLICABLE MUST REMAIN WITHIN DIMENSIONS THIRD ANGLE PROJECTION DRAWING SERIES: B-SIZE 45985 | THIS DRAWING CONTAINS INFORMATION THAT IS PROPRIETARY TO MOLEX ELECTRONIC TECHNOLOGIES, LLC AND SHOULD NOT BE USED WITHOUT WRITTEN PERMISSION CURRENT REV DESC: CIRCUIT NO. 1 AND 2 ON PCB ARE CORRECTED EC NO: 676774 DRWN: CHETAB 2021/09/02 CHK'D: MBELLE 2021/09/07 APPR: HTHYAGARAJ 2021/09/09 INITIAL REVISION: DRWN: BANDURA 5/1/2006 APPR: PATEL 5/5/2006 | | LPH PLUG ASSEMBLY SIGNAL CONNECTOR PRODUCT CUSTOMER DRAWING | | |
| | DOCUMENT NUMBER: SD-45985-483 DOC TYPE: PSD DOC PART: 001 REVISION: D1 | | | | |
| | MATERIAL NUMBER: SEE CHART CUSTOMER: GENERAL MARKET SHEET NUMBER: 3 OF 5 | | | | |



| NO OF SIGNAL | MATERIAL NUMBER | DIM A | DIM C | DIM P | PCB THK |
|--------------|-----------------|-------|-------|-------|---------|
| 12 | 45985-0411 | 19.9 | 14.37 | 4.50 | 3.18 |
| 16 | 45985-0421 | 22.5 | 16.91 | | |
| 20 | 45985-0431 | 25.0 | 19.45 | | |
| 24 | 45985-0441 | 27.6 | 21.99 | | |
| 28 | 45985-0451 | 30.1 | 24.53 | | |
| 32 | 45985-0461 | 32.6 | 27.07 | | |
| 36 | 45985-0471 | 35.2 | 29.61 | | |
| 40 | 45985-0481 | 37.7 | 32.15 | | |
| 12 | 45985-0412 | 19.9 | 14.37 | 3.60 | 2.36 |
| 16 | 45985-0422 | 22.5 | 16.91 | | |
| 20 | 45985-0432 | 25.0 | 19.45 | | |
| 24 | 45985-0442 | 27.6 | 21.99 | | |
| 28 | 45985-0452 | 30.1 | 24.53 | | |
| 32 | 45985-0462 | 32.6 | 27.07 | | |
| 36 | 45985-0472 | 35.2 | 29.61 | | |
| 40 | 45985-0482 | 37.7 | 32.15 | | |
| 12 | 45985-0413 | 19.9 | 14.37 | 2.90 | 1.57 |
| 16 | 45985-0423 | 22.5 | 16.91 | | |
| 20 | 45985-0433 | 25.0 | 19.45 | | |
| 24 | 45985-0443 | 27.6 | 21.99 | | |
| 28 | 45985-0453 | 30.1 | 24.53 | | |
| 32 | 45985-0463 | 32.6 | 27.07 | | |
| 36 | 45985-0473 | 35.2 | 29.61 | | |
| 40 | 45985-0483 | 37.7 | 32.15 | | |

| SYMBOLS = 0 = 0 = 0 = 0 = 0 = 0 = 0 = 0 | THIS DRAWING CONTAINS INFORMATION THAT IS PROPRIETARY TO MOLEX ELECTRONIC TECHNOLOGIES, LLC AND SHOULD NOT BE USED WITHOUT WRITTEN PERMISSION DIMENSION UNITS: mm SCALE: 2:1 | CURRENT REV DESC: CIRCUIT NO. 1 AND 2 ON PCB ARE CORRECTED EC NO: 676774 DRWN: CHETAB 2021/09/02 CHK'D: MBELLE 2021/09/07 APPR: HTHYAGARAJ 2021/09/09 | LPH PLUG ASSEMBLY SIGNAL CONNECTOR | | | | | | | | | | | | | | | | | | | | |
|--|---|---|--|----------------------|------------|--|--|------------|--|--|------------|------|--|-----------|--|--|------------|--|--|---|---|--|--|
| | GENERAL TOLERANCES (UNLESS SPECIFIED) <table border="1"> <thead> <tr><th></th><th>MM</th><th>INCH</th></tr> </thead> <tbody> <tr><td>4 PLACES ±</td><td></td><td></td></tr> <tr><td>3 PLACES ±</td><td></td><td></td></tr> <tr><td>2 PLACES ±</td><td>0.25</td><td></td></tr> <tr><td>1 PLACE ±</td><td></td><td></td></tr> <tr><td>0 PLACES ±</td><td></td><td></td></tr> </tbody> </table> | | MM | INCH | 4 PLACES ± | | | 3 PLACES ± | | | 2 PLACES ± | 0.25 | | 1 PLACE ± | | | 0 PLACES ± | | | INITIAL REVISION: DRWN: BANDURA 5/1/2006 APPR: PATEL 5/5/2006 | PRODUCT CUSTOMER DRAWING DOCUMENT NUMBER: SD-45985-483 DOC TYPE: PSD DOC PART: 001 REVISION: D1 | | |
| | | MM | INCH | | | | | | | | | | | | | | | | | | | | |
| | 4 PLACES ± | | | | | | | | | | | | | | | | | | | | | | |
| 3 PLACES ± | | | | | | | | | | | | | | | | | | | | | | | |
| 2 PLACES ± | 0.25 | | | | | | | | | | | | | | | | | | | | | | |
| 1 PLACE ± | | | | | | | | | | | | | | | | | | | | | | | |
| 0 PLACES ± | | | | | | | | | | | | | | | | | | | | | | | |
| ANGULAR TOL ± 0.5° DRAFT WHERE APPLICABLE MUST REMAIN WITHIN DIMENSIONS | THIRD ANGLE PROJECTION | DRAWING: B-SIZE SERIES: 45985 | MATERIAL NUMBER: SEE CHART CUSTOMER: GENERAL MARKET | SHEET NUMBER: 4 OF 5 | | | | | | | | | | | | | | | | | | | |

| NO OF SIGNAL | DIM C |
|--------------|-------|
| 12 | 14.37 |
| 16 | 16.91 |
| 20 | 19.45 |
| 24 | 21.99 |
| 28 | 24.53 |
| 32 | 27.07 |
| 36 | 29.61 |
| 40 | 32.15 |



RECOMMENDED PCB LAYOUT SHOWN FROM COMPONENT SIDE

| | | | |
|---------|---|------------------------|---|
| SYMBOLS | THIS DRAWING CONTAINS INFORMATION THAT IS PROPRIETARY TO MOLEX ELECTRONIC TECHNOLOGIES, LLC AND SHOULD NOT BE USED WITHOUT WRITTEN PERMISSION | | |
| | DIMENSION UNITS | SCALE | CURRENT REV DESC: CIRCUIT NO. 1 AND 2 ON PCB ARE CORRECTED |
| ▽ = 0 | mm | 2:1 | EC NO: 676774 DRWN: CHETAB 2021/09/02 CHK'D: MBELLE 2021/09/07 APPR: HTHYAGARAJ 2021/09/09 |
| ▽ = 0 | GENERAL TOLERANCES (UNLESS SPECIFIED) | | |
| ▽ = 0 | | | INITIAL REVISION: DRWN: BANDURA 5/1/2006 APPR: PATEL 5/5/2006 |
| ▽ = 0 | 4 PLACES ± | | |
| ▽ = 0 | 3 PLACES ± | | DOCUMENT NUMBER: SD-45985-483 DOC TYPE: PSD DOC PART: 001 REVISION: D1 |
| ▽ = 0 | 2 PLACES ± 0.25 | | |
| ▽ = 0 | 1 PLACE ± | | MATERIAL NUMBER: SEE CHART CUSTOMER: GENERAL MARKET SHEET NUMBER: 5 OF 5 |
| ▽ = 0 | 0 PLACES ± | | |
| ▽ = 0 | ANGULAR TOL ± 0.5° | | |
| ▽ = 0 | DRAFT WHERE APPLICABLE MUST REMAIN WITHIN DIMENSIONS | THIRD ANGLE PROJECTION | DRAWING: B-SIZE SERIES: 45985 |