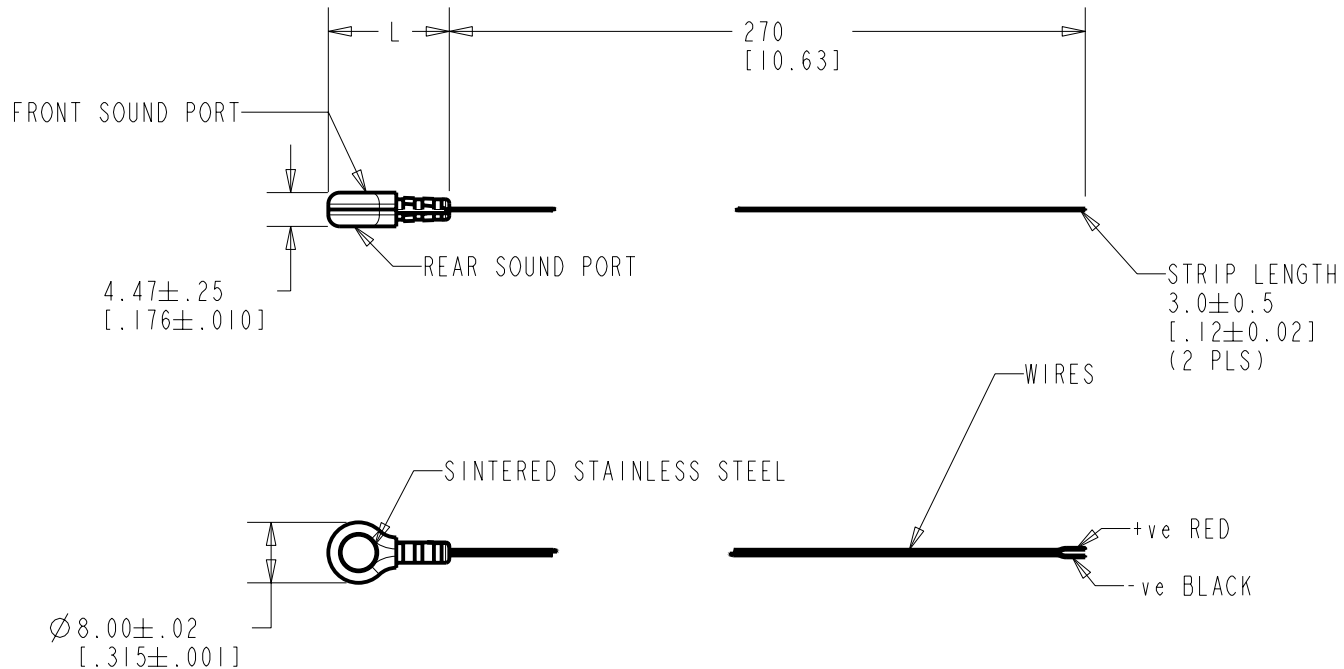


PNR-23868-000  
SHT 1.1



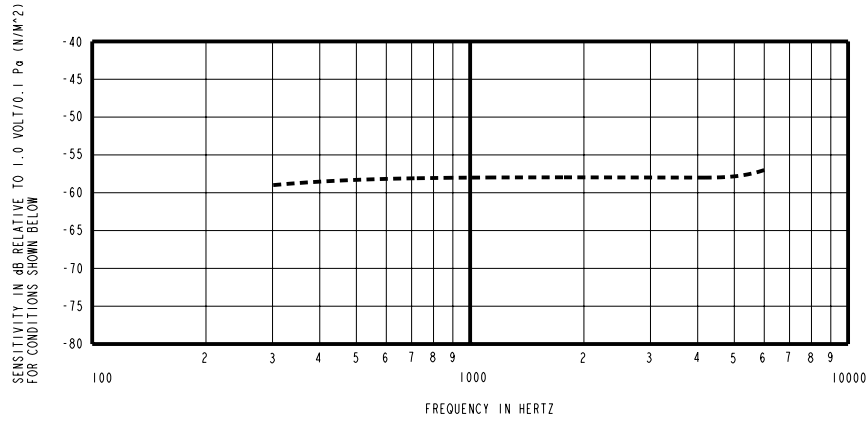
LENGTH	WIRE COLOR		WEIGHT GRAMS
	+ve	-ve	
L	RED	BLACK	13.1

DIMENSIONS IN MILLIMETERS [INCHES]

Revision	C.O. #	Implementation Date	RELEASE LEVEL	REVISION
A	MI0101431	4-3-07	Released	A

**KNOWLES ELECTRONICS**  
ITASCA, ILLINOIS U.S.A.

SCALE: 1:1		DR. BY: LSY	DATE: 4-3-07
DO NOT SCALE DRAWING		CK. BY: GJP	DATE: 4-6-07
TITLE: BOOM MICROPHONE	PNR-23868-000	APP. BY: GJP	DATE: 4-6-07
OUTLINE DRAWING	SHT 1.1		



NOTES:

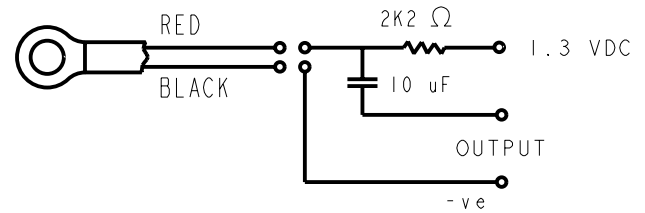
1. MICROPHONE TO BE FUNCTIONAL WITH 10 VDC SUPPLY.
2. SENSITIVITY VALUES INDICATED ON THIS SPECIFICATION ARE VALID AT 50% HUMIDITY.

3. SENSITIVITY

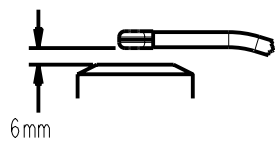
<u>FREQUENCY</u>	<u>MIN</u>	<u>NOM</u>	<u>MAX</u>
300	-65.0	-59.0	-57.0
1000	-62.0	-58.0	-56.0
4000	-62.0	-57.0	-54.0

4. TEST CONDITIONS:  
HEAD OF BOOM EXPOSED TO 94 dB SPL SWEPT SOUND FIELD AT 6mm FROM VOICE APERTURE.  
ARTIFICIAL VOICE:  
B & K 4227 MOUTH SIMULATOR.

5. FOR MICROPHONE CAPSULE SPEC. SEE NR-25994-C97 SHEET 2.1



LEAD IDENTIFICATION  
& TEST CIRCUIT



Revision	C.O. #	Implementation Date	RELEASE LEVEL	REVISION
A	MI0101431	4-3-07	Released	A

**KNOWLES ELECTRONICS**  
ITASCA, ILLINOIS U.S.A.

SCALE:	1:1	DR. BY	DATE
DO NOT SCALE DRAWING		LSY	4-3-07
TITLE:	BOOM MICROPHONE	CK. BY	DATE
OUTLINE DRAWING	PNR-23868-000	GJP	4-6-07
	SHT 2.1	APP. BY	DATE
		GJP	4-6-07