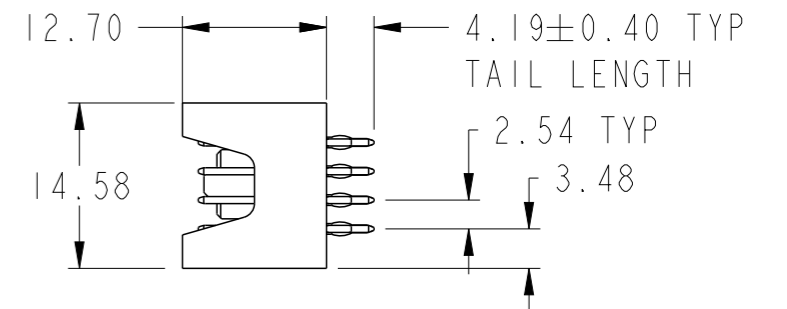
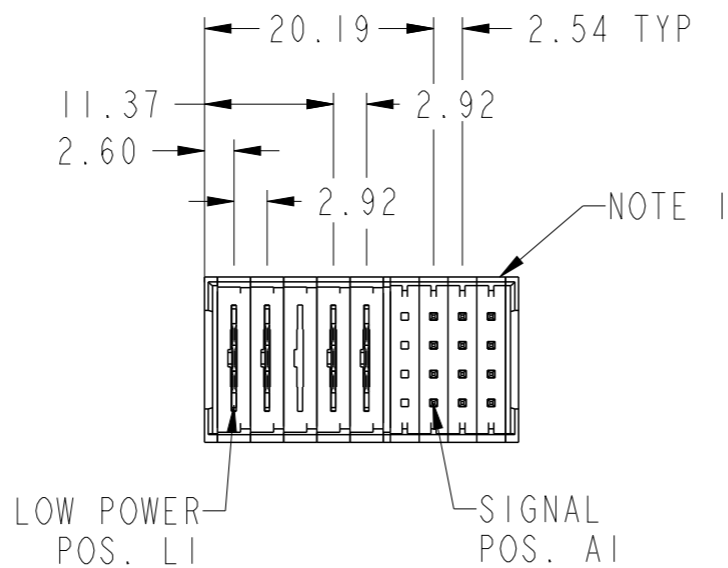
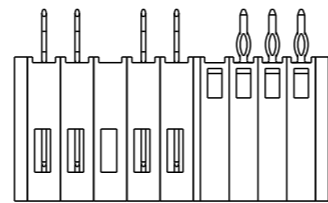
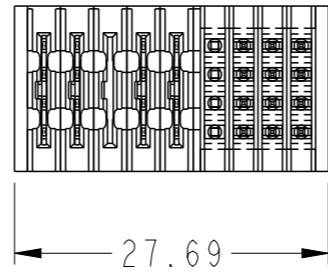


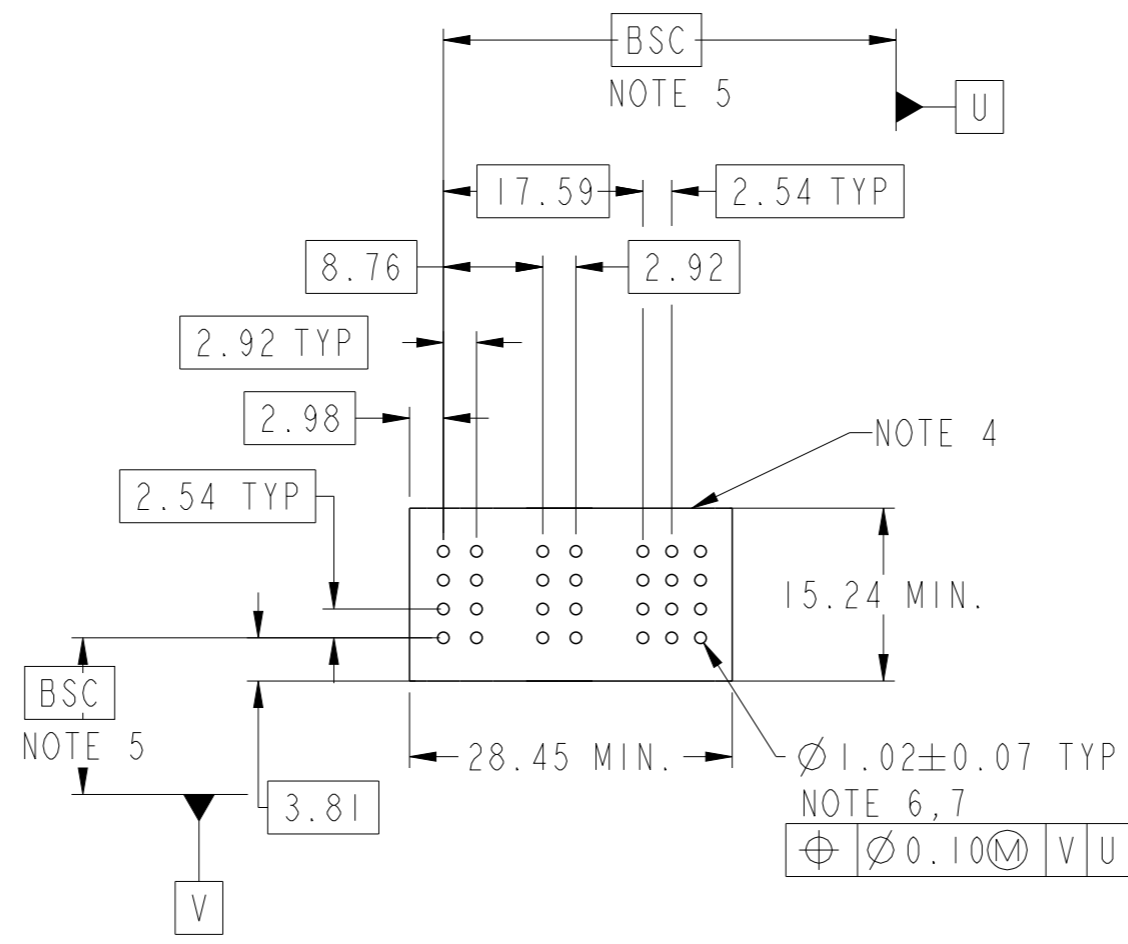
PART NUMBER SEE SHEET 2



spec ref	*	dr	Zhan Rainbow	2017/07/20	projection	MM	size	A3	scale	3:2	
tolerance std	ISO 406 ISO 1101	eng	Zhan Rainbow	2017/09/20			ecn no	-	rel level		Released
TOLERANCES UNLESS OTHERWISE SPECIFIED		chr	Kaka Zhang	2017/09/19			product family	PwrBlade+			
surface	linear	0.X	±0.5	<b>Amphenol FCI</b> www.fci.com	5LP + 16S		dwg no 10106267-0504001	rev		A	
		0.XX	±0.25		VERTICAL PF PLUG						
	angular	0°	±2°		cat. no.	Product - Customer Drw		sheet 1 of 3			

PRODUCT NO.	ROWS	LP					SIGNAL				E2
		E1	P1	P2	P3	P4	P5	1	2	3	
10106267-0504001LF	D C B A	LR	LR	X	LR	LR	X	G	G	G	G

CODE	DESCRIPTION
G	STD SIGNAL CONTACT
LR	STD LOW POWER CONTACT
X	OMITTED



Amphenol  
FCi

© 2016 AFCI

spec ref	*	dr	Zhan Rainbow	2017/07/20	projection	MM	size	A3	scale	3:2
tolerance std	ISO 406 ISO 1101	eng	Zhan Rainbow	2017/09/20			ecn no	-	rel level	Released
TOLERANCES UNLESS OTHERWISE SPECIFIED		chr	Kaka Zhang	2017/09/19			product family	PwrBlade+		
surface	linear	appr	Pei-Ming Zheng	2017/09/20			rel level	Released	dwg no	10106267-0504001
ISO 1302	angular	<b>Amphenol FCI</b> www.fci.com		cat. no.	5LP + 16S VERTICAL PF PLUG		rev	A	Product - Customer Drw	sheet 2 of 3

1

2

3

4

A

B

C

D

A

B

C

D

NOTES:

- 1) PRODUCT MARK:  
PART NUMBER AND DATE CODE TO BE MARKED ON THIS SURFACE .  
THE MARK CAN BE OMITTED IF THERE IS NOT ENOUGH SPACE ON THIS SURFACE.
- 2) MATERIALS:  
-HOUSING : HIGH TEMP THERMOPLASTIC WITH GLASS FIBER, UL94V-0, BLACK.  
-POWER CONTACT : HIGH CONDUCTIVITY COPPER ALLOY.  
-SIGNAL CONTACT : COPPER ALLOY.
- 3) PLATING SPECIFICATION : 10116351
- 4) DENOTES CONNECTOR KEEP OUT ZONE.
- 5) DATUM AND BASIC DIMENSIONS ARE ESTABLISHED BY CUSTOMER.
- 6) ALL HOLE DIAMETERS ARE FINISHED HOLE SIZES.
- 7) 1.15+/-0.025MM DRILLED HOLE PLATED WITH 0.00762MM MIN SN  
OVER 0.0254-0.0762MM CU PLATING TO ACHIEVE A 1.02+/-0.07MM HOLE.
- 8) THE PRODUCT IS NOT INTENDED TO BE EXPOSED TO A MANUFACTURING SOLDER PROCESS.
- 9) THIS PRODUCT MEETS EUROPEAN UNION DIRECTIVES AND OTHER COUNTRY  
REGULATIONS AS DESCRIBED IN GS-47-0004.
- 10) PRODUCT SPECIFICATION : GS-12-658.  
APPLICATION SPECIFICATION : GS-20-141.  
PRODUCT PACKAGE SPECIFICATION: GS-14-1502.

Amphenol  
FCi

© 2016 AFCI

spec ref *		dr	Zhan Rainbow	2017/07/20	projection	MM	size	A3	scale	3:2	
tolerance std		eng	Zhan Rainbow	2017/09/20		← →	ecn no		-		
ISO 406 ISO 1101		chr	Kaka Zhang	2017/09/19			rel level		Released		
surface		appr	Pei-Ming Zheng	2017/09/20	product family		PwrBlade+		rel level		
ISO 1302	linear	0.X	±0.5	<b>Amphenol FCi</b>	5LP + 16S		dwg no	10106267-0504001		rev	A
		0.XX	±0.25								
		0.XXX	±0.10								
	angular	0°	±2°	www.fci.com	cat. no.	Product - Customer Drw		sheet 3 of 3			

2

3

PDS: Rev :A

STATUS:Released

Printed: Sep 20, 2017