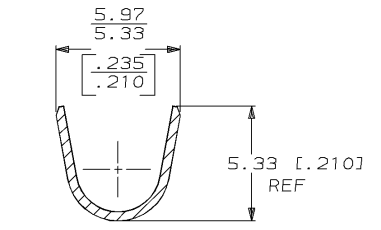
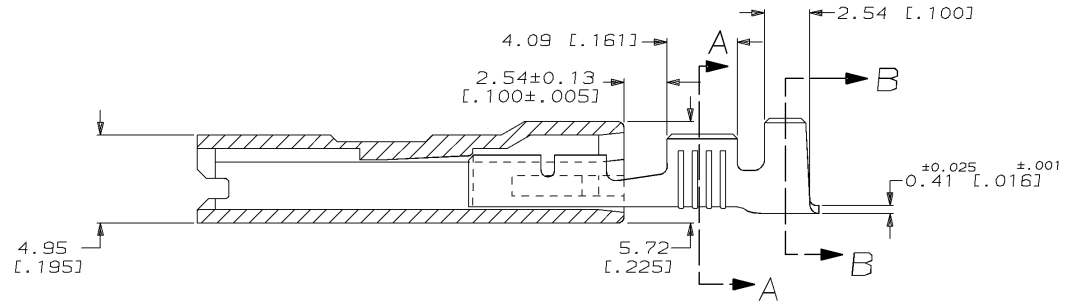
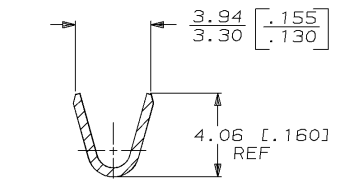
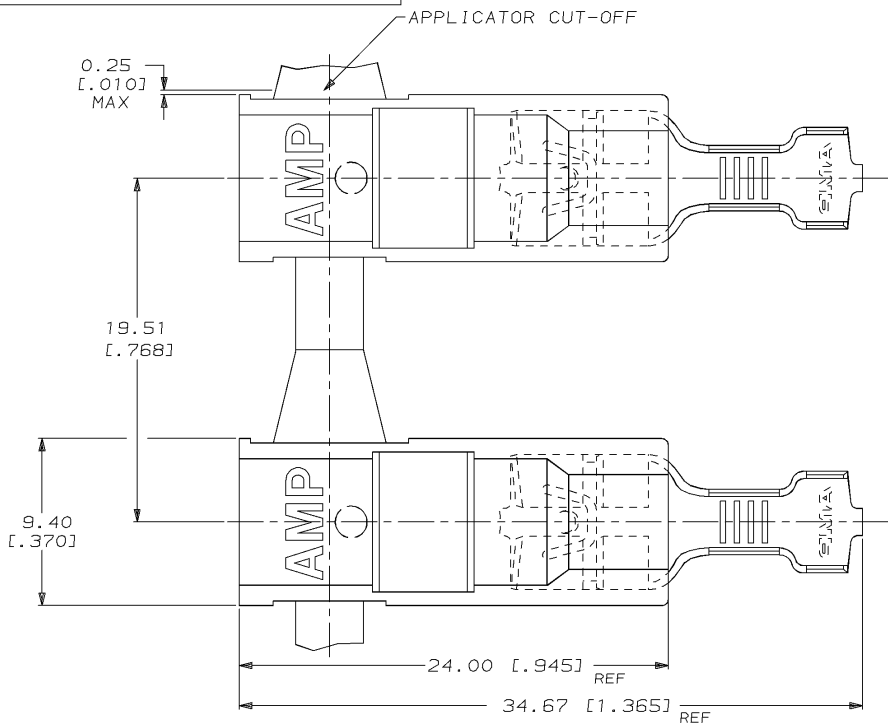


LOC	DIST	P	F	ZONE	LTR	REVISIONS	DATE	APPD
AF	50				B	REV PER 0L10-0053-97	2/11/97	JR/JW



- 1 LOW-INSERTION FASTON TERMINALS, BASE P/N 63674-2 IS USED.
- 2 NICKEL PLATE 0.00381 [.000150] MIN

2.79-4.32 [.110-.170]	0.8-2.0 mm <sup>2</sup> [18-14]	0.813 [.032]	521113-1
INSULATION RANGE	WIRE SIZE	MATING TAB THK ±0.025 [±.001]	PART NO
DO NOT SCALE PRINT. UNLESS SPECIFIED DIMENSIONS IN mm [INCHES] TOLERANCES ON : 2 PLC DEC ± - 3 PLC DEC ± 0.25 [.010] ANGLES ± -	DR 3/13/96 JR RUTH CHK 3/13/96 MS FEHER APPD 3/13/96 D BRATINA	<b>AMP</b> AMP INCORPORATED Harrisburg, Pa. 17105	
MATERIAL HOUSING 4/6 NYLON (150°C) TERMINAL - #2H STEEL	APPD 3/13/96 V KARABCIEVSKY PRODUCT SPEC 108-1285	NAME ASSEMBLY, ULTRA-POD, RECEPTACLE, 6.35 [.250] SERIES	
FINISH HOUSING - BLACK TERMINAL - NICKEL	APPLICATION SPEC 114-2124 WEIGHT -	SIZE <b>C</b> CAGE CODE 00779 SCALE 5:1	DRAWING NO 521113 SHEET 1 OF 1

CUSTOMER DRAWING