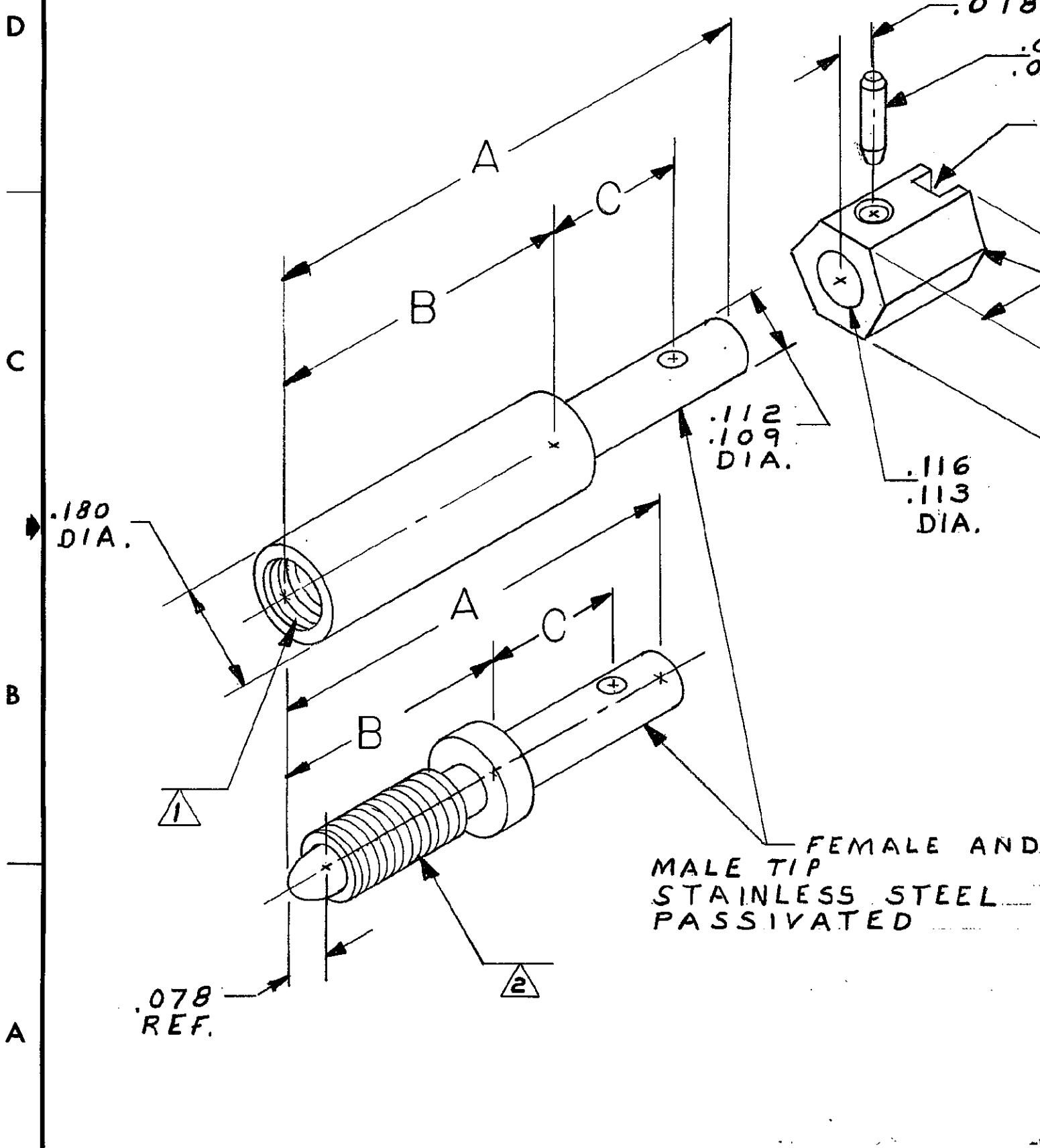


© COPYRIGHT 19 BY AMP INCORPORATED, HARRISBURG, PA.  
 ALL INTERNATIONAL RIGHTS RESERVED. AMP INCORPORATED PRODUCTS  
 COVERED BY U. S. AND FOREIGN PATENTS AND/OR PATENTS PENDING.

REVISIONS						
P	F	ZONE	LTR	DESCRIPTION	DATE	APPROVED
			0	RELEASED WAS 5085-1028	5-16	EAM
			A	REV. PER ECN AB 0544	10-3-84	EAM
			B	REV PER 0600-5354-96 58	10/96	JAM
			C	REV 0600-5641-96	9-97	SM



.078  
 .052 DIA. X .187 ± .015  
 .049 SPIROL PIN  
 SCREW DRIVER SLOT  
 .250  
 JACKSCREW BODY  
 STAINLESS STEEL PASSIVATED.  
 .116  
 .113 DIA.  
 .187 ACROSS  
 FLATS.  
 1. SOCKET .375 DEEP, #6-32 UNC-2B DOUBLE  
 THREAD, DOUBLE LEAD.  
 2. MALE TIP, .410 LONG, #6-32 UNC-2A DOUBLE  
 THREAD, DOUBLE LEAD.

JACKSCREW: FEMALE	.365	.620	1.107	533177-2
JACKSCREW: MALE	.365	.465	.94	533177-1
DESCRIPTION	C	B	A	<b>OBSOLETE</b>

UNLESS OTHERWISE SPECIFIED DIMENSIONS ARE IN INCHES. TOLERANCES ON: DECIMALS ± .010 ANGLES ±	CONTRACT NO	AMP INCORPORATED Harrisburg, Pa.	
	DR <i>M. Smith</i> 1-25-84		
	MATERIAL	NAME JACKSCREW TURNABLE ASSY., FOR BOX CONNECTORS.	
	FINISH	SIZE <b>B</b>	
	OTHER APPD	CODE IDENT NO <b>00779</b>	DRAWING NO. <b>53317-7</b>
		SCALE 4-1	SHEET #