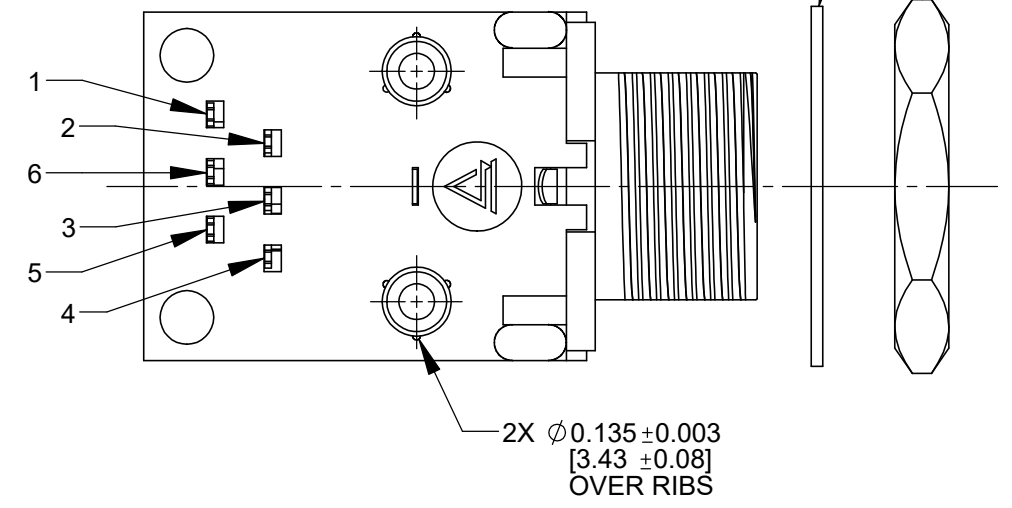


**RECOMMENDED PC BOARD LAYOUT**  
COMPONENT SIDE



WASHER  
SEE NOTE 3

HEX NUT  
SEE NOTE 3

- NOTES:**
- MATERIALS:**  
BUSHING - ZINC ALLOY, NICKEL PLATED  
HOUSING - THERMOPLASTIC, BLACK  
CONTACTS & TERMINALS - COPPER ALLOY, TIN PLATED  
GROUND TERMINAL - SPECIAL COPPER ALLOY, TIN PLATED  
HARDWARE - COPPER ALLOY, NICKEL PLATED
  - ELECTRICAL SPECIFICATIONS:**  
CURRENT RATING - 1.5 A  
CONTACT RESISTANCE - 0.010 OHM MAX  
INSULATION RESISTANCE - 100 MEGA OHMS MIN  
DIELECTRIC WITHSTANDING VOLTAGE - 250 VAC  
MECHANICAL LIFE - 2000 CYCLES
  - HARDWARE SHIPPED UNASSEMBLED.**
  - THIS PRODUCT IS RoHS COMPLIANT.**

**CUSTOMER DRAWING**

REV	ECO NUMBER	DATE	BY	APVD
K	28312	08-25-20	PC	TJK
J	27650 REDRAWN	2-1-16	TO	TJK

REVISIONS

UNLESS OTHERWISE SPECIFIED

1. ALL DIMENSIONS IN INCHES [mm]

- TWO PLACE DECIMALS ±0.02 [0.5]

- THREE PLACE DECIMALS ±0.005 [0.13]

**DO NOT SCALE DRAWING**

THIS DRAWING DESCRIBES A DESIGN CONSIDERED PROPRIETARY IN NATURE, DEVELOPED AND MANUFACTURED BY SWITCHCRAFT INC. AND IS RELEASED ON A CONFIDENTIAL BASIS FOR IDENTIFICATION PURPOSES ONLY.									
SIZE	WIDTH	MULT	LBS/M	TEMPER					
FINISH SPEC No.					MATERIAL SPEC No.				
FIRST USED ON					SCALE 3:1				
DATE DRAWN	BY	CHKD	APVD						
4-26-96	RC	RB	DG						
			4-26-96			12-2-98			
NAME TINI Q-G MALE RECEPTOR R.A.P.C. 6 PIN, RoHS					PART No. TRA6M				
					SHEET 1 OF 1				
					REV K				