

**Ratings**

Voltage: 600 V  
 Temperature: -40~105 °C  
 Flammability: FT2

**Conductor**

Conductor count: 2  
 Gauge: 20 AWG 0.13 mm<sup>2</sup>  
 Material: tinned copper strands  
 Strand size:  $\varnothing 0.16 \times 26$   
 Resistance at 20 °C: 36.7  $\Omega$  /km max

**Insulator**

Material: mPPE  
 Color: red, black  
 Diameter:  $\varnothing 2.4 \pm 0.10$  mm  
 Average thickness: 0.26 mm  
 Minimum thickness: 0.21 mm  
 Resistance at 20 °C: 100 M $\Omega$  /km min

**Shield**

Type: foil  
 Material: aluminum mylar  
 Coverage: 100%

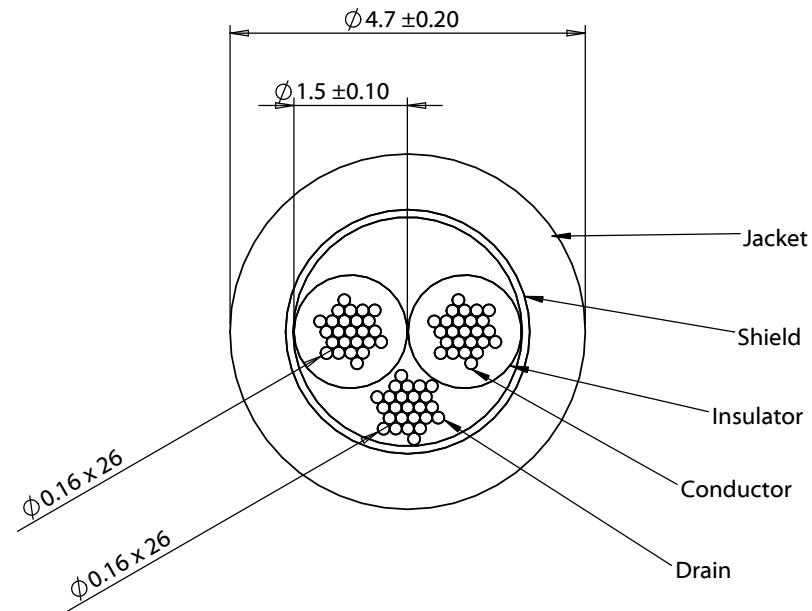
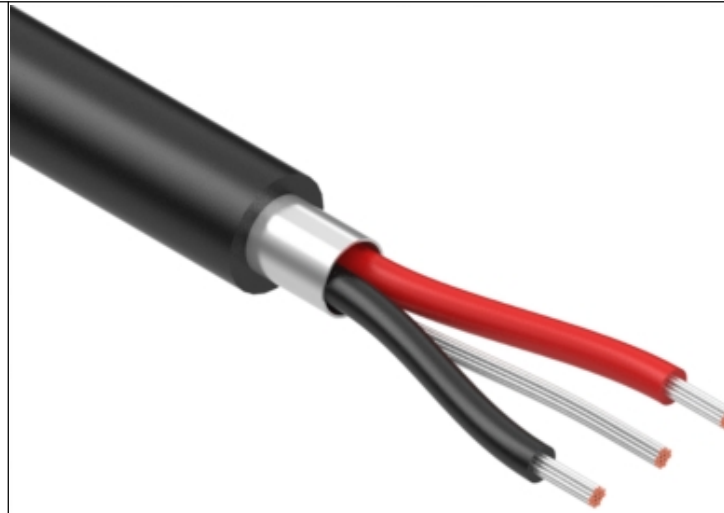
**Outer jacket**

Material: mPPE, 85A  
 Color: black  
 Diameter:  $\varnothing 7.5 \pm 0.30$  mm  
 Average thickness: 0.8 mm  
 Minimum thickness: 0.56 mm

**Wire marking:** E339579 UL AWM STYLE 21509 20 AWG 105°C  
 600V --- cUL AWM I A 105°C 600V FT2 TENSILITY

**Bend radius**

Minimum: 6 times diameter (28.2 mm)



Revision:	Date:	Description:	Prepared:	Notes:	<h1>TENSILITY</h1> <p>tel 1.541.323.3228 800 877.670.7118                  fax 1.541.323.4202 web tensility.com</p>
A	4/20/2020	Initial release	JC <small>Digitally signed by JC                  Date: 2020.04.20                  12:21:08 -07'00'</small>		
			Verified:	Phthalate and halogen free	Size:
			AW <small>Digitally signed by AW                  Date: 2020.04.20                  16:22:51 -07'00'</small>	Description:	A
			Dimensions are in millimeters. Tolerances: X: ± 0.5 mm X.X: ± 0.3 mm X.XX: ± 0.05 mm	Wire, 2C TS, 20 AWG, 21509, 600V, 105C, 4.7 mm, shielded, FT2, mPPE	Part number: 30-01404
					Scale: 10:1
					Sheet 1 of 1

5

4

3

2

1