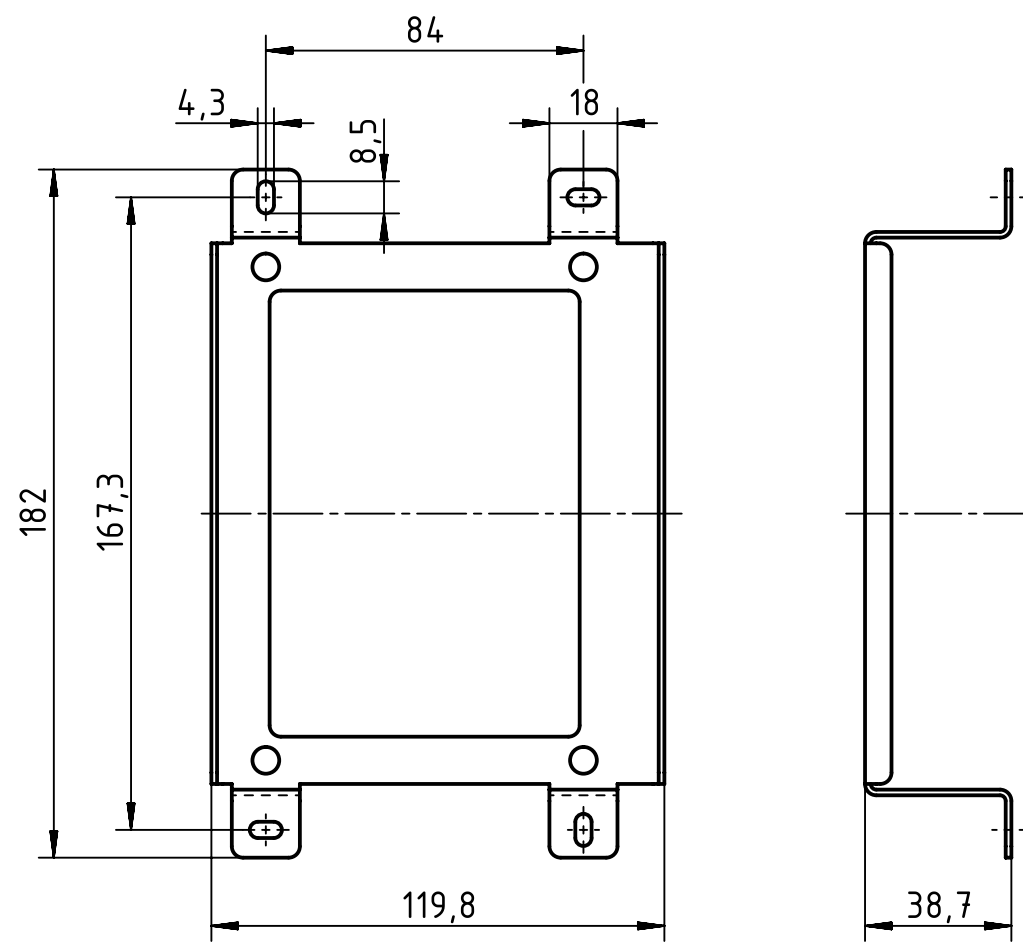
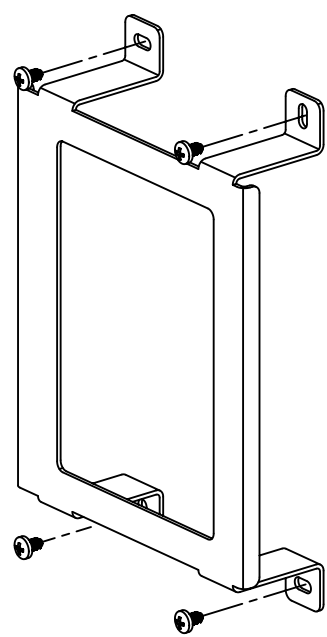



1 2 3 4 5 6

A
B
C
D

views excluding screws



	All rights reserved Department EL PD - DE	All Dimensions in mm Original Size DIN A4		Scale 1:2	Free size tol.	Ref.
		HARTING Electric GmbH & Co. KG D-32339 Espelkamp	Created by STICKFORTH	Inspected by WULF	Standardisation TIEMANNA	Date 2015-03-09
Title Ha-VIS MK3000 Cover38						Doc-Key / ECM-Nr. 100608690/UGD/001/A 500000083675
Type TB				Number 24 98 100 0001		Rev. A
						Page 1/1