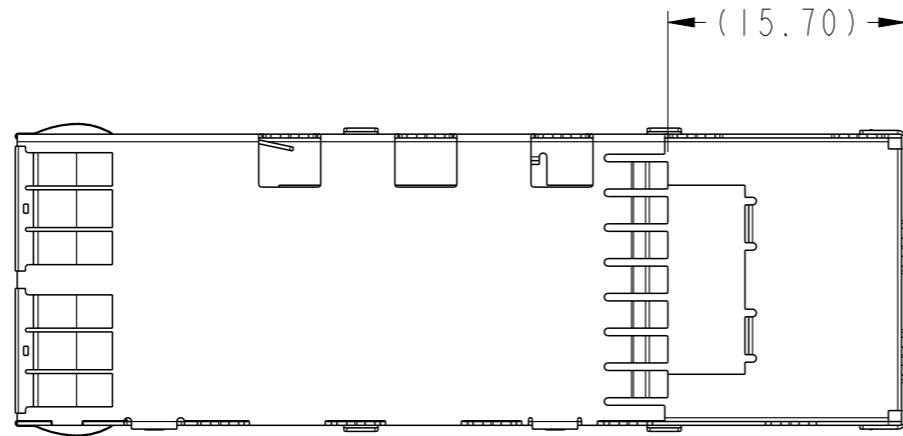
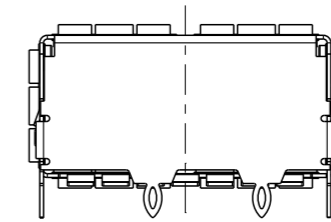
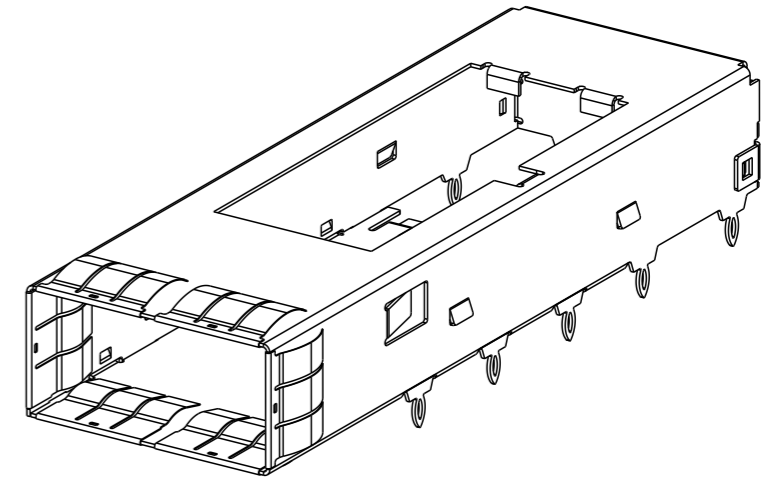
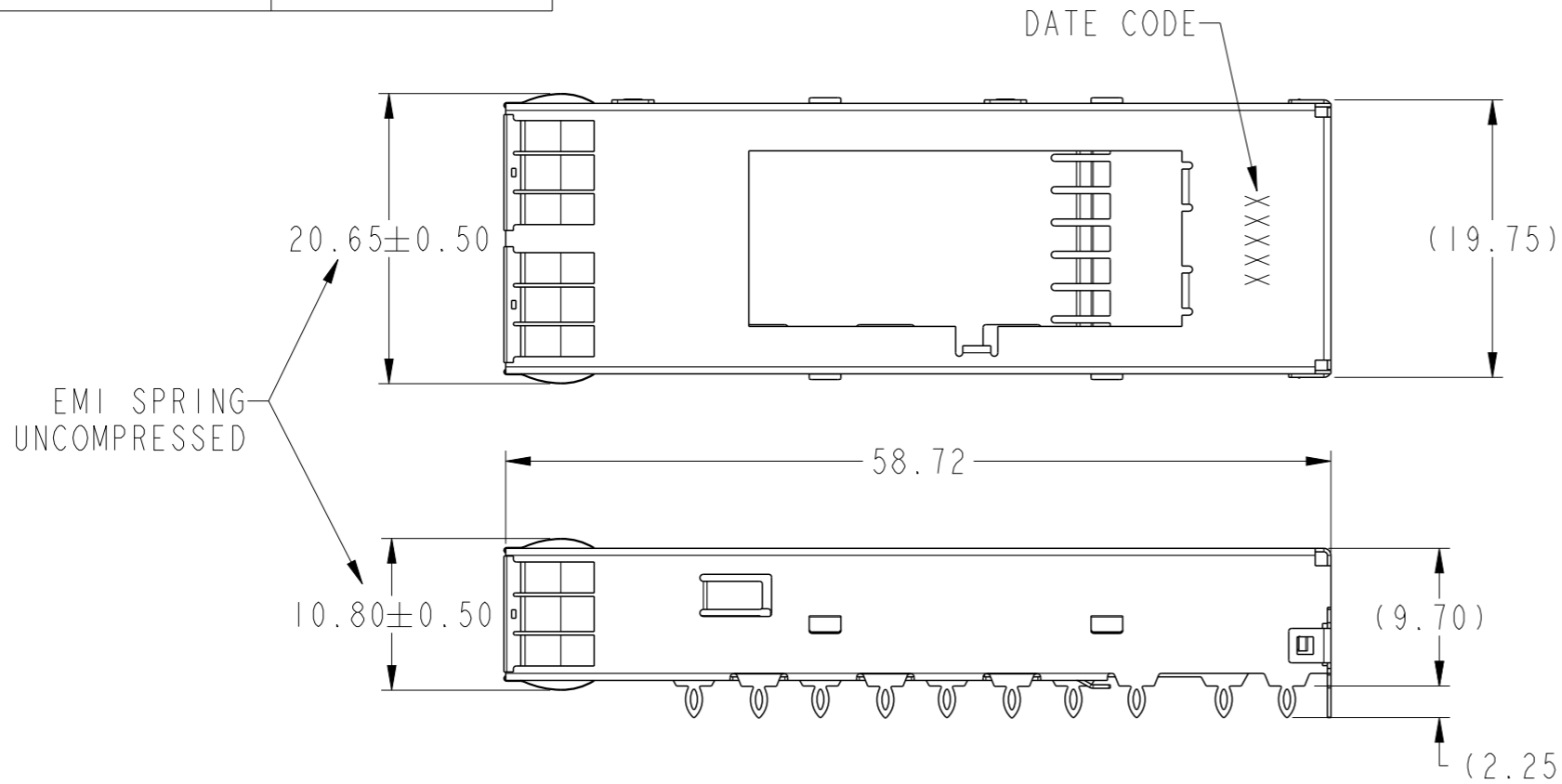
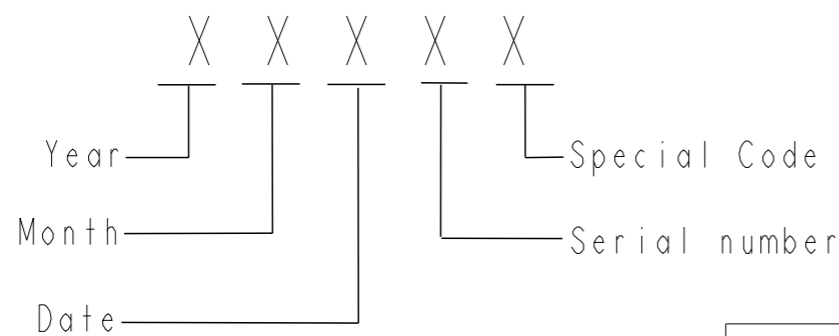


PART NUMBER	PACKAGING
10099114-001LF	TRAY



NOTES:

1. MATERIAL AND PLATING:  
CAGE BODY: COPPER ALLOY, 50 $\mu$ "MIN NICKEL PLATING  
EMI SPRING: COPPER ALLOY, 50 $\mu$ "MIN NI PLATING, 100 $\mu$ "TIN PLATING.
2. MATES WITH QSFP-MSA COMPLIANT TRANSCEIVER.
3. PRODUCT SPECIFICATION: GS-12-622
4. APPLICATION SPECIFICATION GS-20-126.
5. PRODUCT MEETS EUROPEAN UNION DIRECTIVES AND OTHER COUNTRY REGULATIONS AS DESCRIBED IN GS-22-008.
6. DATE CODE BE PRINTED ON PROPER SURFACE.
7. QSFP CAGE, HEATSINK AND CLIP SEPERATION OR ASSEMBLY TO BE OPTIONAL.



DATE CODE DESCRIPTION

spec ref	RELEASE	dr	Andy Zhang	2010/11/03	projection	mm	size	A3	scale	1:1
tolerance std	ASME Y14.5	eng	Art Lin	2015/05/22			ecn no	ELX-DG-20151-1		
	TOLERANCES UNLESS OTHERWISE SPECIFIED	chr	-	rel level				Released		
surface	linear	appr	Pei-Ming Zheng	2015/05/24	product family	QSFP	rel level	Released		
	ASME Y14.5	angular	0°	±2°	www.fci.com	cat. no.	-	Product - Customer Drw	sheet 1 of 4	
		linear	0.X	±0.50		title QSPF CAGE QSFP BOARD CONNECTOR	dwg no 10099114	rev F		
		linear	0.XX	±0.25						
		linear	0.XXX	±						

PART NUMBER  
10099114-001LF

THIS AREA DENOTES  
COMPONENT KEEP-OUT  
(TRACES ALLOWED)

Ø 1.05 ± 0.05 TYP.  
⊕ 0.10 M A K L

⊕ OF -K- & -L-

⊕ 1.55  
L

SEE QSFP CONNECTOR DRAWING FOR  
CONNECTOR LAYOUT

22.15 MIN.

19.0

3.4

7.2

19.2 MAX.

16.8

9.0

9.0

9.0

3.1

5.44 MAX.

7.6

⊕ 1.55  
K

6.94 MIN.

10.6

11.3 MIN.

CROSS-HATCHED AREA DENOTES  
COMPONENT AND TRACE KEEP-OUT  
(EXCEPT CHASSIS GROUND)

AREA DENOTES OPTIONAL EMI  
GROUNDING PAD (MUST BE  
CONNECTED TO CHASSIS GROUND)

PCB LAYOUT FOR ONE SIDED APPLICATION

Copyright FCI.

spec ref	RELEASE	dr	Andy Zhang	2010/11/03	projection	mm	size	A3	scale	1:1		
tolerance std	ASME Y14.5	eng	Art Lin	2015/05/22			ecn no	ELX-DG-20151-1	rel level	Released		
	TOLERANCES UNLESS OTHERWISE SPECIFIED	chr	-	apppr							Pei-Ming Zheng	2015/05/24
surface	✓	linear	0.X	±0.50		title QSPF CAGE QSFP BOARD CONNECTOR	dwg no 10099114	rev F	ASME Y14.5			
			0.XX	±0.25					cat. no.	-	Product - Customer Drw	sheet 2 of 4
		angular	0°	±2°					PDS: Rev :F		STATUS:Released	

PART NUMBER  
10099114-001LF

THIS AREA DENOTES  
COMPONENT KEEP-OUT  
(TRACES ALLOWED)

$\varnothing 1.05 \pm 0.05$  TYP.  
 $\varnothing 0.10 \text{ (M)}$  A K L

$\varnothing 1.55$   
L

SEE QSFP CONNECTOR DRAWING FOR  
CONNECTOR LAYOUT

22.15 MIN.

19.0

3.4

6.2

7.2

16.8

7.2

19.2 MAX.

CROSS-HATCHED AREA DENOTES  
COMPONENT AND TRACE KEEP-OUT  
(EXCEPT CHASSIS GROUND)

AREA DENOTES OPTIONAL EMI  
GROUNDING PAD (MUST BE  
CONNECTED TO CHASSIS GROUND)

5.44 MAX.

6.94 MIN.

7.6

10.6

$\varnothing 1.55$   
K

11.3 MIN.

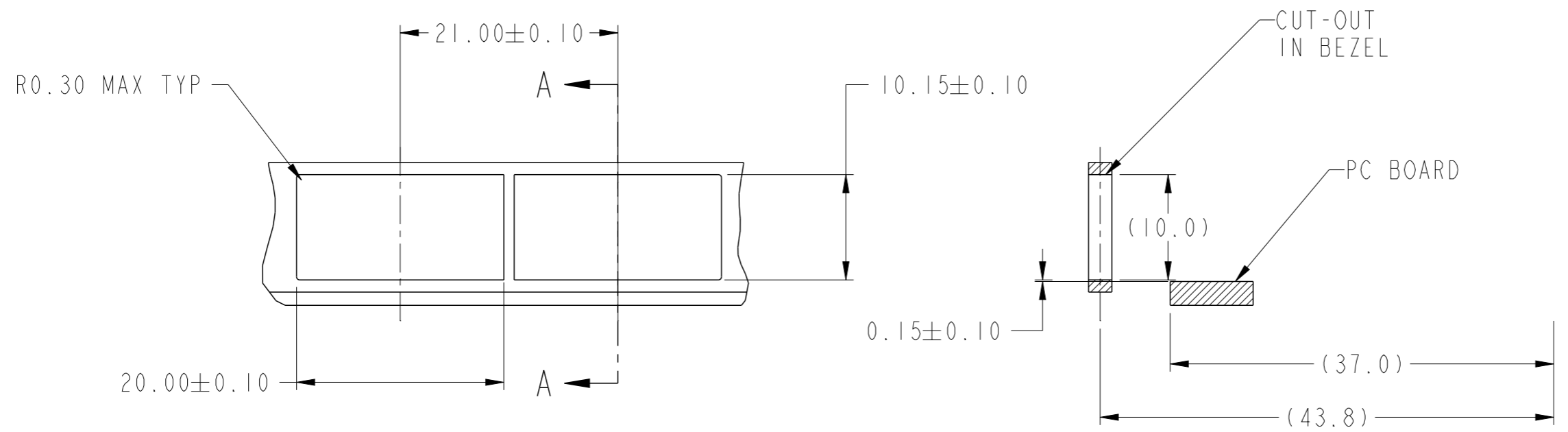
PCB LAYOUT FOR BELLY TO BELLY APPLICATION

spec ref	RELEASE	dr	Andy Zhang	2010/11/03	projection	mm	size	A3	scale	1:1
tolerance std	ASME Y14.5	eng	Art Lin	2015/05/22			ecn no	ELX-DG-20151-1		
	TOLERANCES UNLESS OTHERWISE SPECIFIED	chr	-					rel level	Released	
surface	linear	appr	Pei-Ming Zheng	2015/05/24	product family	QSFP	rel level	Released		
	ASME Y14.5									
	angular									
	0.X	±0.50		title QSPF CAGE QSFP BOARD CONNECTOR	cat. no. -	Product - Customer Drw	sheet 3 of 4	rev F	www.fci.com	dwg no 10099114
	0.XX	±0.25								
	0.XXX	±								
	0°	±2°								



Copyright FCI.

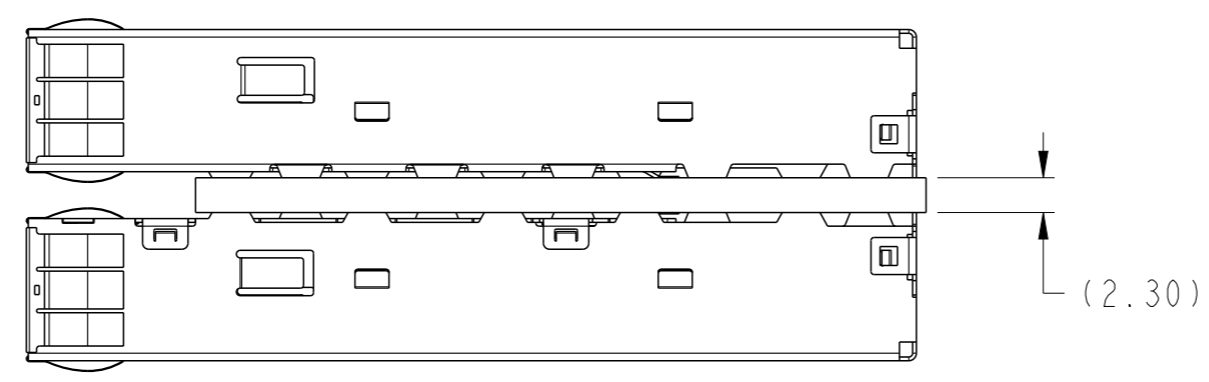
PART NUMBER  
10099114-001LF



RECOMMENDED BEZEL DESIGN

SECTION A-A

FROM  $\phi$  BEZEL  
TO **-K-** & **-L-**



BEZEL CUTOUT LOCATIONS FOR BELLY TO BELLY APPLICATIONS ARE DEPENDENT ON PCB THICKNESS



Copyright FCI.

spec ref	RELEASE	dr	Andy Zhang	2010/11/03	projection	mm	size	A3	scale	1:1
tolerance std	ASME Y14.5	eng	Art Lin	2015/05/22			ecn no	ELX-DG-20151-1		
		chr	-					rel level	Released	
surface	✓	appr	Pei-Ming Zheng	2015/05/24	product family	QSFP	rel level	Released		
							rel level	Released		
linear	0.X ±0.50			title QSPF CAGE QSFP BOARD CONNECTOR		dwg no 10099114		rev F		
	0.XX ±0.25									
	0.XXX ±									
angular	0° ±2°	www.fci.com		cat. no.	-	Product - Customer Drw		sheet 4 of 4		