

## High-Frequency PWM White LED Drivers with Internal Schottky Diode and OVP

### Features

- 2.5V to 10V Input Voltage Range
- Output Voltage up to 34V
- Internal Schottky Diode
- 1.6 MHz PWM Operation (MIC2292)
- 2.0 MHz PWM Operation (MIC2293)
- Stable with Ceramic Capacitors
- 15V, and 34V Output OVP Options
- 1.2 MHz PWM Operation
- 500 mA Switch Current Rating
- 95 mV Feedback Voltage
- <1% Line and Load Regulation
- <1  $\mu$ A Shutdown Current
- Overtemperature Protection
- UVLO
- 2 mm x 2 mm DFN-8 Package
- $-40^{\circ}\text{C}$  to  $+125^{\circ}\text{C}$  Junction Temperature Range

### Applications

- White LED Driver for Backlighting:
  - Cell Phones
  - PDAs
  - GPS Systems
  - Digital Cameras
  - MP3 Players
  - IP Phones
- LED Flashlights
- Constant Current Power Supplies

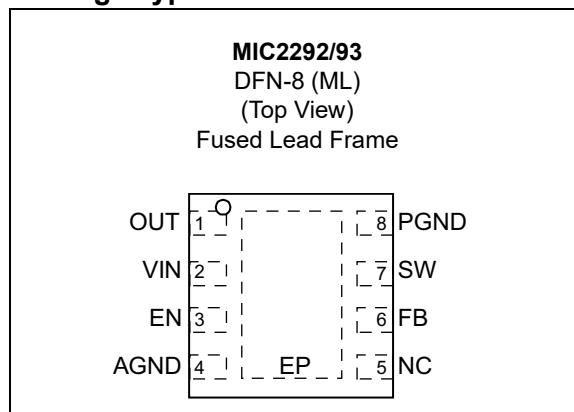
### General Description

The MIC2292 and MIC2293 are high frequency, Pulse Width Modulator (PWM) boost regulators optimized for constant-current, white LED driver applications. Because of their constant PWM switching frequencies of 1.6 MHz and 2 MHz, respectively, the MIC2292/93 can use the smallest external components, allowing designers to avoid sensitive IF bands in their RF applications.

The products feature an internal Schottky diode and two levels of output overvoltage protection allowing a small size and efficient DC/DC solution that requires only four external components.

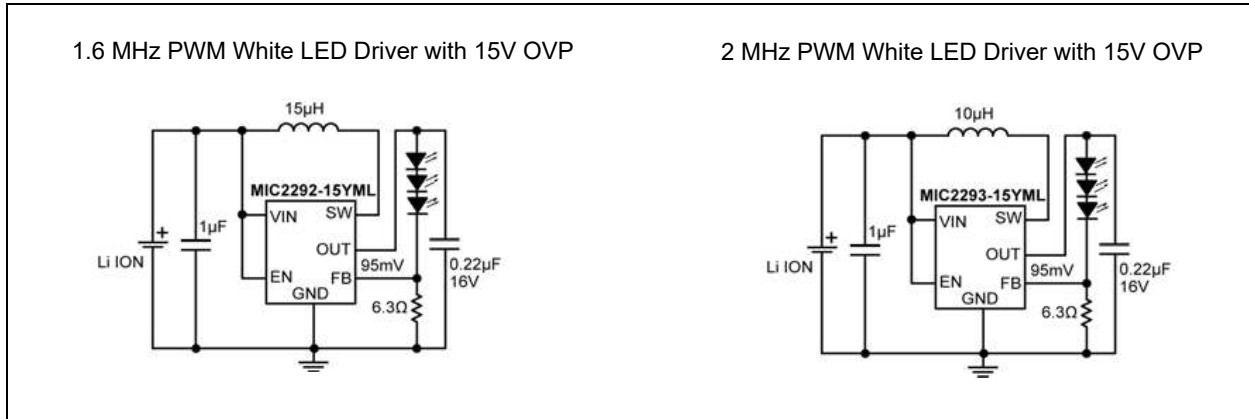
The 2.5V to 10V input voltage range of MIC2292/3 allows direct operation from 1- and 2-cell Li Ion as well as 3- to 4-cell NiCad/NiMH/Alkaline batteries. The MIC2292/3 products are available in a small size 2 mm x 2 mm 8-pin DFN package and have a junction temperature range of  $-40^{\circ}\text{C}$  to  $+125^{\circ}\text{C}$ .

### Package Type

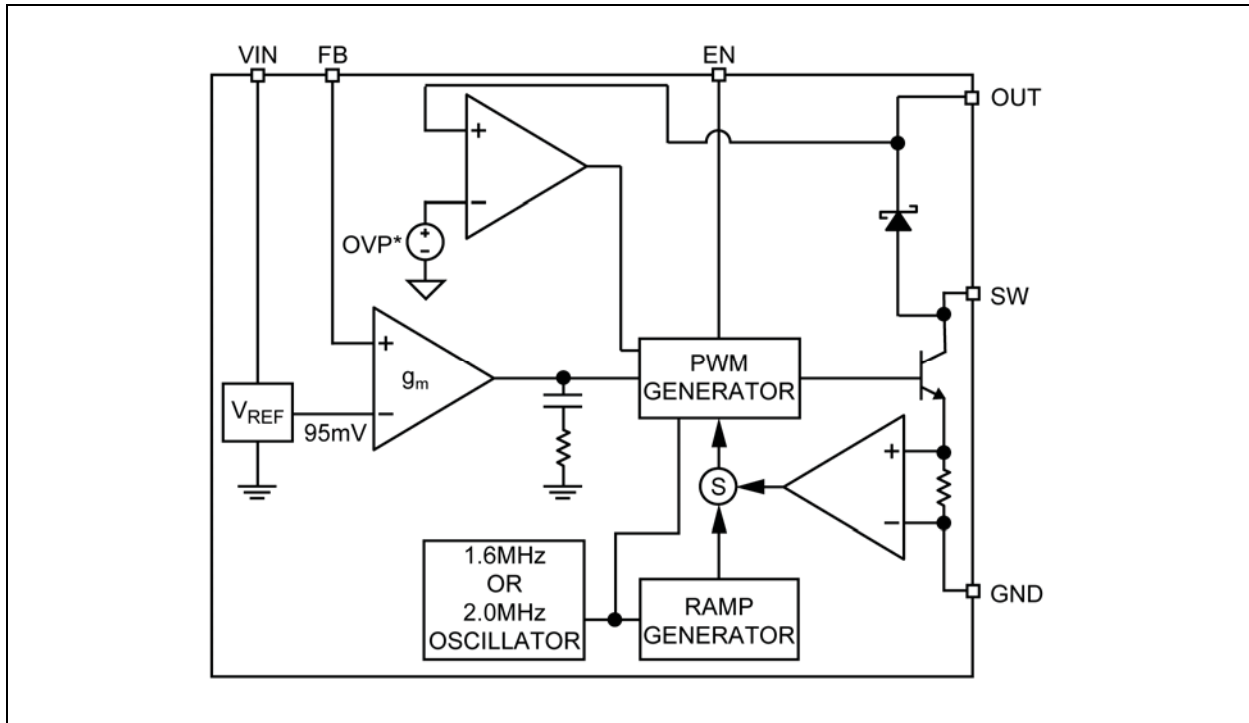


# MIC2292/93

## Typical Application Circuits



## Functional Block Diagram



## 1.0 ELECTRICAL CHARACTERISTICS

### Absolute Maximum Ratings †

Supply Voltage ( $V_{IN}$ ) .....	+12V
Switch Voltage ( $V_{SW}$ ) .....	-0.3V to +34V
Enable Pin Voltage ( $V_{EN}$ ) .....	-0.3V to $V_{IN}$
FB Voltage ( $V_{FB}$ ) .....	+6.0V
Switch Current ( $I_{SW}$ ) .....	2A
Schottky Reverse Voltage ( $V_{DR}$ ) .....	34V
Ambient Storage Temperature Range ( $T_S$ ) .....	-65°C to +150°C
ESD Rating (Note 1) .....	2 kV

### Operating Ratings ††

Supply Voltage ( $V_{IN}$ ) .....	+2.5V to +10V
Output Voltage ( $V_{OUT}$ ) .....	$V_{IN}$ to $V_{OVP}$

† **Notice:** Stresses above those listed under “Absolute Maximum Ratings” may cause permanent damage to the device. This is a stress rating only and functional operation of the device at those or any other conditions above those indicated in the operational sections of this specification is not intended. Exposure to maximum rating conditions for extended periods may affect device reliability.

†† **Notice:** The device is not guaranteed to function outside its operating ratings.

**Note 1:** Devices are ESD sensitive. Handling precautions are recommended. Human body model, 1.5 k $\Omega$  in series with 100 pF.

# MIC2292/93

## ELECTRICAL CHARACTERISTICS

**Electrical Characteristics:**  $T_A = +25^\circ\text{C}$ ,  $V_{IN} = V_{EN} = 3.6\text{V}$ ,  $V_{OUT} = 15\text{V}$ ,  $I_{OUT} = 20\text{ mA}$ , unless otherwise noted. **Bold** values indicate  $-40^\circ\text{C} \leq T_J \leq \pm 125^\circ\text{C}$ . [Note 1](#)

Parameter	Symbol	Min.	Typ.	Max.	Units	Conditions
Supply Voltage Range	$V_{IN}$	<b>2.5</b>	—	<b>10</b>	V	—
Undervoltage Lockout	$V_{UVLO}$	1.8	2.1	2.4	V	—
Quiescent Current	$I_{VIN}$	—	2.5	5	mA	$V_{FB} > 200\text{ mV}$ , not switching
Shutdown Current	$I_{SD}$	—	0.1	<b>1</b>	$\mu\text{A}$	$V_{EN} = 0\text{V}$ , <a href="#">Note 2</a>
Feedback Voltage	$V_{FB}$	90	95	100	mV	$\pm 5\%$
Feedback Input Current	$I_{FB}$	—	-450	—	nA	$V_{FB} = 95\text{ mV}$
Line Regulation	—	—	0.5	1	%	$3\text{V} \leq V_{IN} \leq 5\text{V}$ , <a href="#">Note 3</a>
Load Regulation	—	—	0.5	2	%	$5\text{ mA} \leq I_{OUT} \leq 20\text{ mA}$ , <a href="#">Note 3</a>
Maximum Duty Cycle	$D_{MAX}$	<b>85</b>	90	—	%	—
Switch Current Limit	$I_{SW(LIM)}$	—	750	—	mA	—
Switch Saturation Voltage	$V_{SW(SAT)}$	—	450	—	mV	$I_{SW} = 0.5\text{A}$
Switch Leakage Current	$I_{SW(LK)}$	—	0.01	<b>5</b>	$\mu\text{A}$	$V_{EN} = 0\text{V}$ , $V_{SW} = 10\text{V}$
Enable Threshold	$V_{EN}$	<b>1.5</b>	—	—	V	Turn on
		—	—	<b>0.4</b>		Turn off
Enable Pin Current	$I_{EN}$	—	20	40	$\mu\text{A}$	$V_{EN} = 10\text{V}$
Oscillator Frequency	$f_{SW}$	1.4	1.6	1.8	MHz	MIC2292
		1.75	2.0	2.25		MIC2293
Schottky Forward Drop	$V_D$	—	0.8	1	V	$I_D = 150\text{ mA}$
Schottky Leakage Current	$I_{RD}$	—	—	<b>4</b>	$\mu\text{A}$	$V_R = 30$
Overvoltage Protection	$V_{OVP}$	13	14	16	V	MIC2292/93-15
		30	32	34		MIC2292/93-34
Turn-On Time	$t_{ON}$	—	—	50	$\mu\text{s}$	$V_{IN} = 2.5\text{V}$ , $V_{EN}$ ramped 0V to $V_{IN}$
		—	—	50		$V_{IN} = 5\text{V}$ , $V_{EN}$ ramped 0V to $V_{IN}$
		—	—	50		$V_{IN} = 5\text{V}$ , $V_{EN}$ ramped 0V to $V_{IN}$
Overtemperature Shutdown	$t_{SD}$	—	150	—	$^\circ\text{C}$	Threshold
		—	10	—		Hysteresis

**Note 1:** Specification for packaged product only.

**2:**  $I_{SD} = I_{VIN}$ .

**3:** Guaranteed by design.

## TEMPERATURE SPECIFICATIONS

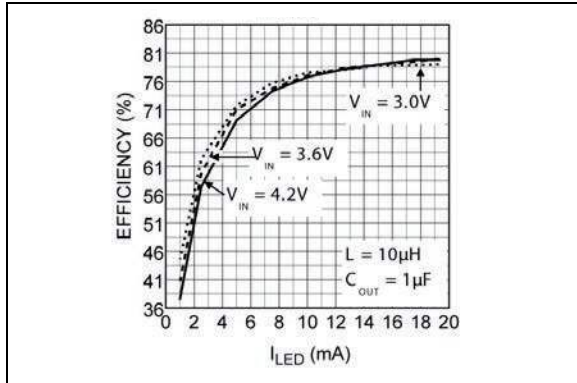
Parameters	Symbol	Min.	Typ.	Max.	Units	Conditions
<b>Temperature Ranges</b>						
Junction Operating Temperature	$T_J$	-40	—	+125	°C	—
Storage Temperature Range	$T_S$	-65	—	+150	°C	—
<b>Package Thermal Resistance</b>						
Thermal Resistance, 2x2 DFN 8-Lead	$\theta_{JA}$	—	93	—	°C/W	—

**Note 1:** The maximum allowable power dissipation is a function of ambient temperature, the maximum allowable junction temperature and the thermal resistance from junction to air (i.e.,  $T_A$ ,  $T_J$ ,  $\theta_{JA}$ ). Exceeding the maximum allowable power dissipation will cause the device operating junction temperature to exceed the maximum +125°C rating. Sustained junction temperatures above +125°C can impact the device reliability.

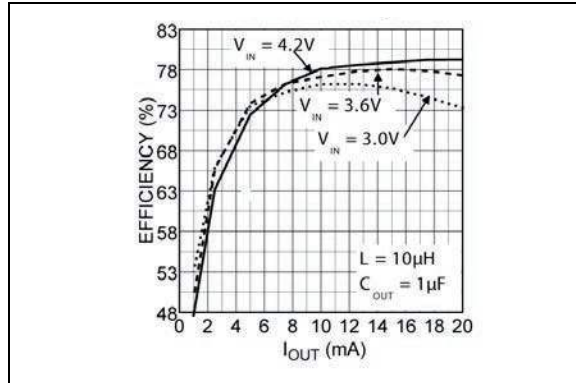
# MIC2292/93

## 2.0 TYPICAL PERFORMANCE CURVES

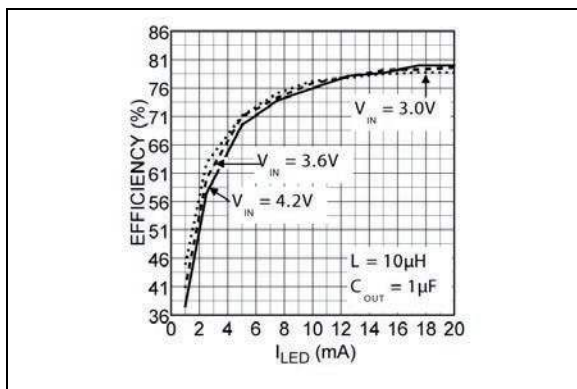
**Note:** The graphs and tables provided following this note are a statistical summary based on a limited number of samples and are provided for informational purposes only. The performance characteristics listed herein are not tested or guaranteed. In some graphs or tables, the data presented may be outside the specified operating range (e.g., outside specified power supply range) and therefore outside the warranted range.



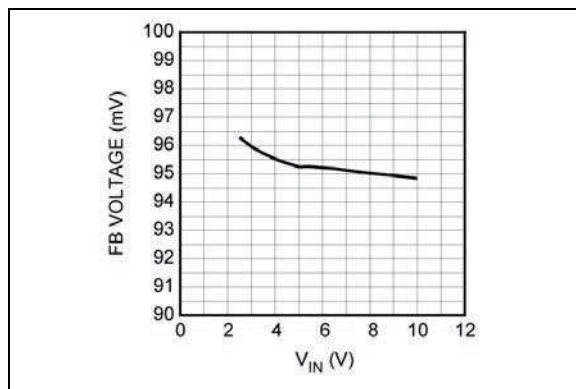
**FIGURE 2-1:** MIC2292 3 Series LED Efficiency.



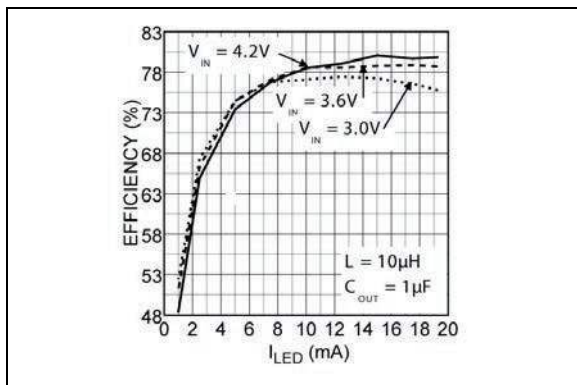
**FIGURE 2-4:** MIC2293 6 Series LED Efficiency.



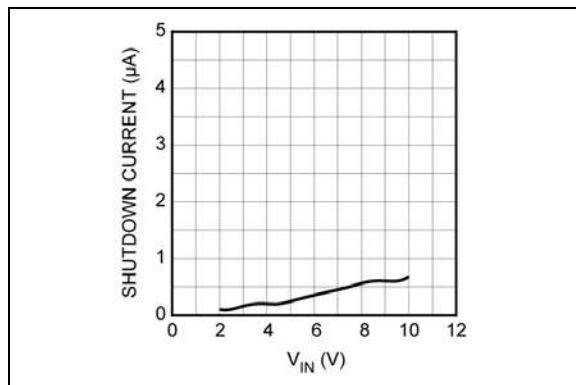
**FIGURE 2-2:** MIC2293 3 Series LED Efficiency.



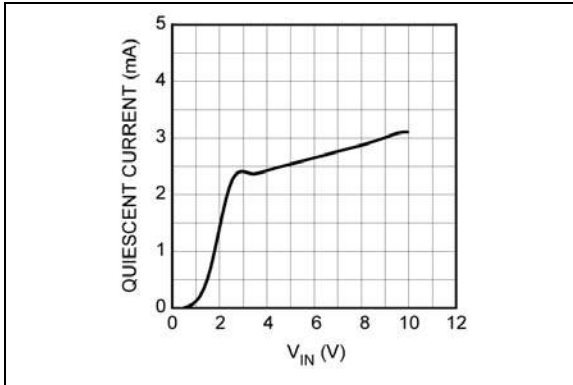
**FIGURE 2-5:** Feedback Voltage vs. Input Voltage.



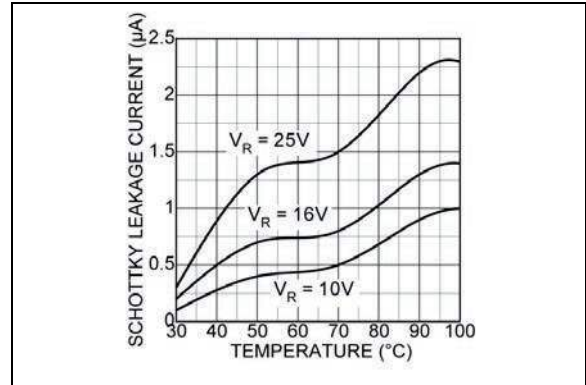
**FIGURE 2-3:** MIC2292 6 Series LED Efficiency.



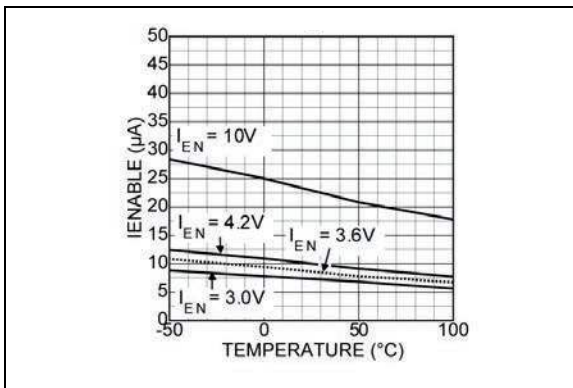
**FIGURE 2-6:** Shutdown Current vs. Input Voltage.



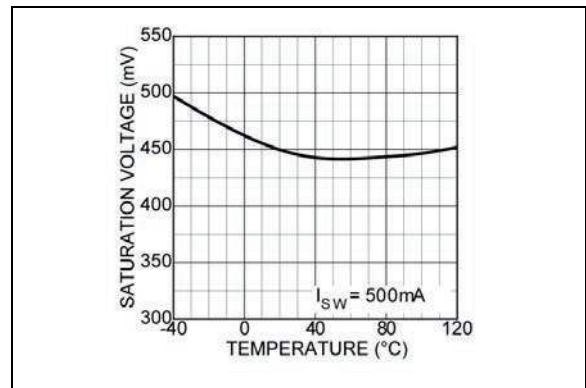
**FIGURE 2-7:** Quiescent Current vs. Input Voltage.



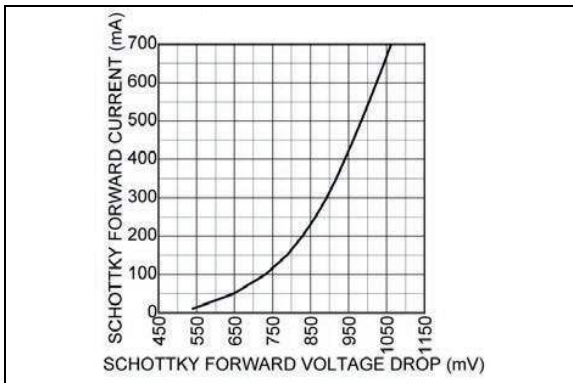
**FIGURE 2-10:** Schottky Reverse Leakage Current.



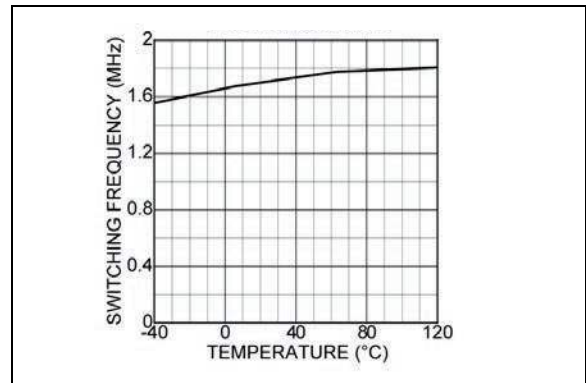
**FIGURE 2-8:** EN Pin Bias Current vs. Temperature.



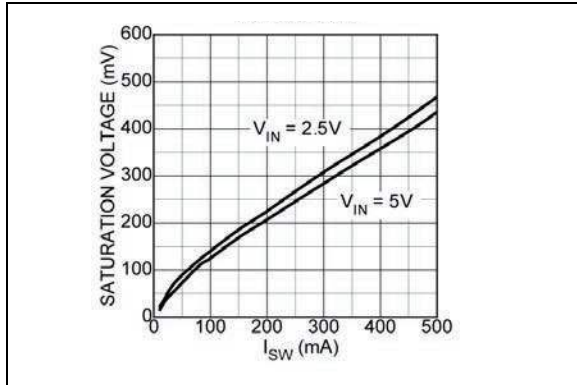
**FIGURE 2-11:** Saturation Voltage vs. Temperature.



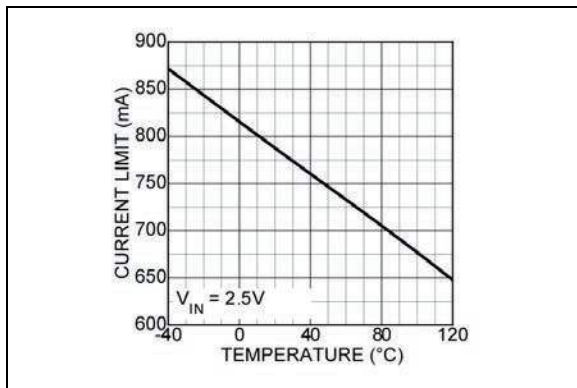
**FIGURE 2-9:** Schottky Forward Voltage Drop.



**FIGURE 2-12:** MIC2292 Switch Frequency vs. Temperature.

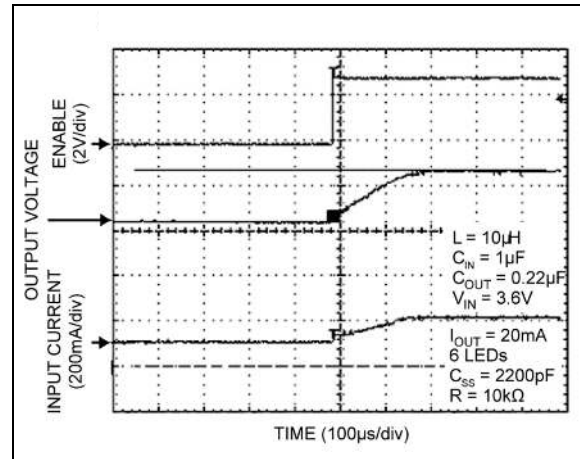


**FIGURE 2-13:** Switch Saturation Voltage vs. Current.

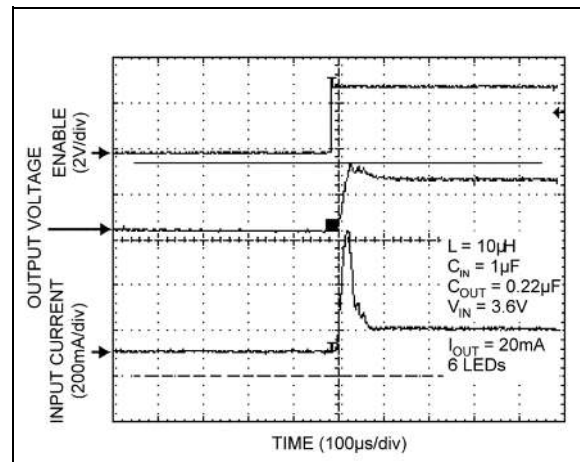


**FIGURE 2-14:** Current Limit vs. Temperature.

## FUNCTIONAL CHARACTERISTICS



**FIGURE 2-15:** 6-Series LED Circuit with External Soft-Start.



**FIGURE 2-16:** 6-Series LED Circuit without External Soft-Start.



## 3.0 PIN DESCRIPTIONS

The descriptions of the pins are listed in [Table 3-1](#).

**TABLE 3-1: PIN FUNCTION TABLE**

Pin Number DFN-8	Pin Name	Description
1	OUT	Output Pin and Overvoltage Protection (Output). Connect to the output capacitor and LEDs.
2	VIN	Supply (Input). Input voltage.
3	EN	Enable (Input). Logic HIGH enables regulator and logic LOW shuts down regulator.
5	NC	No Connect. No internal connection to die.
6	FB	Feedback (Input). Output voltage sense node. Connect the cathode of the LED to this pin. A resistor from this pin to Ground (GND) sets the LED current.
7	SW	Switch Node (Input). Internal power transistor collector.
4, 8	GND	Ground (Return). Ground.
EP	GND	Ground (Return). Exposed backside pad (ePad).

# MIC2292/93

## 4.0 FUNCTIONAL DESCRIPTION

The MIC2292/93 are constant frequency, PWM current-mode boost regulators. The [Functional Block Diagram](#) is on page two. The MIC2292/93 are composed of an oscillator, slope compensation ramp generator, current amplifier, gm error amplifier, PWM generator, 500 mA bipolar output transistor, and Schottky rectifier diode. The oscillator generates a 1.6 MHz clock for the MIC2292 and a 2.0 MHz clock for the MIC2293. The clocks' two functions are to trigger the PWM generator that turns on the output transistor and to reset the slope compensation ramp generator. The current amplifier is used to measure the switch current by amplifying the voltage signal from the internal sense resistor. The output of the current amplifier is summed with the output of the slope compensation ramp generator. This summed current-loop signal is fed to one of the inputs of the PWM generator.

The  $g_m$  error amplifier measures the LED current through the external sense resistor and amplifies the error between the detected signal and the 95 mV reference voltage. The output of the  $g_m$  error amplifier provides the voltage loop signal that is fed to the other input of the PWM generator. When the current-loop signal exceeds the voltage loop signal, the PWM generator turns off the bipolar output transistor. The next clock period initiates the next switching cycle, maintaining the constant frequency current mode PWM control. The LED current is set by the feedback resistor:

### EQUATION 4-1:

$$I_{LED} = \frac{95mV}{R_{FB}}$$

The Enable pin shuts down the output switching and disables control circuitry to reduce VIN pin input current to leakage current level. Enable pin input current is zero at zero volt.

## 4.1 Dimming Control

There are two techniques for dimming control. One is PWM dimming, and the other is continuous dimming.

1. PWM dimming control is implemented by applying a PWM signal on EN pin as shown in [Figure 4-1](#). The MIC2292/93 is turned on and off by the PWM signal. With this method, the LEDs operate with either zero or full current. The average LED current is increased proportionally to the duty-cycle of the PWM signal. This technique has high efficiency because the IC and the LEDs consume no current during the off-cycle of the PWM signal. Typical frequency should be between 100 Hz and 10 kHz.
2. Continuous dimming control is implemented by applying a DC control voltage to the FB pin of the MIC2289 through a series resistor as shown in [Figure 4-2](#). The LED current is decreased proportionally with the amplitude of the control voltage. The LED intensity (current) can be dynamically varied applying a DC voltage to the FB pin. The DC voltage can come from a DAC signal, or a filtered PWM signal. The advantage of this approach is that a high frequency PWM signal (>10 kHz) can be used to control LED intensity.

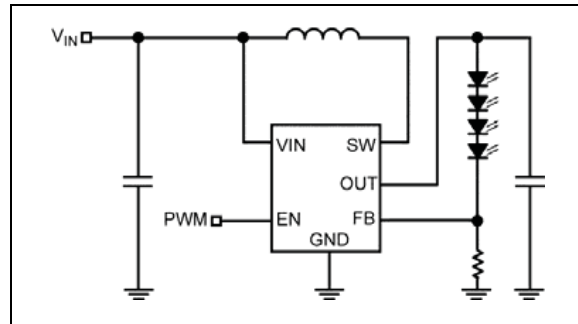


FIGURE 4-1: PWM Dimming Method.

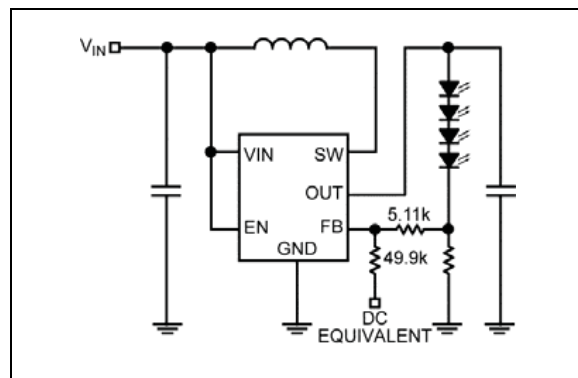
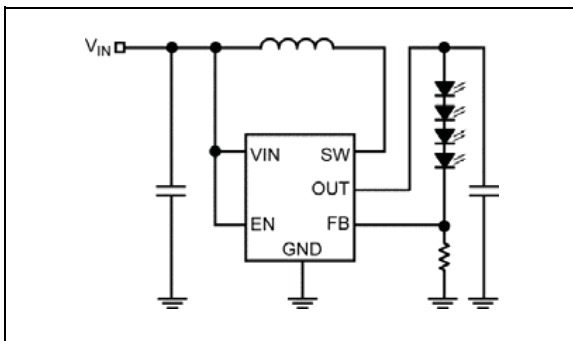


FIGURE 4-2: Continuous Dimming.

## 4.2 Open Circuit Protection

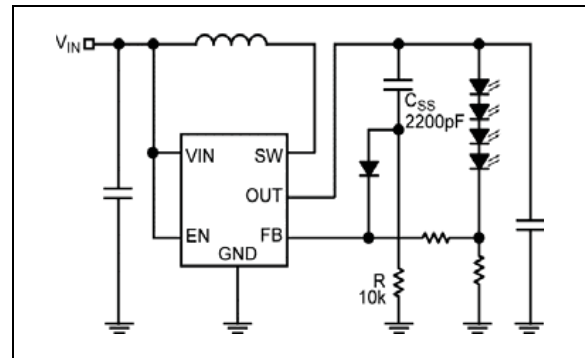
If the LEDs are disconnected from the circuit, or in case an LED fails open, the sense resistor will pull the FB pin to ground. This will cause the MIC2292/93 to switch with a high duty cycle, resulting in output overvoltage. This may cause the SW pin voltage to exceed its maximum voltage rating, possibly damaging the IC and the external components. To ensure the highest level of protection, the MIC2292/93 has two product options in the 2 mm × 2 mm DFN-8 with overvoltage protection, OVP. The extra pins of the 8-pin DFN package allow the use of a dedicated OVP monitor with options for 15V or 34V (see Figure 4-3). The reason for the two OVP levels is to let users choose the suitable level of OVP for their application. For example, a 4-LED application would typically see an output voltage of no more than 12V, so a 15V OVP option would offer a suitable level of protection. This allows the user to select the output diode and capacitor with the lowest voltage ratings, therefore smallest size and lowest cost. The OVP will clamp the output voltage to within the specified limits.



**FIGURE 4-3:** DFN Package OVP Circuit.

## 4.3 Start-Up and Inrush Current

During start-up, inrush current of approximately double the nominal current flows to set up the inductor current and the voltage on the output capacitor. If the inrush current needs to be limited, a soft-start circuit similar to Figure 4-4 could be implemented. The soft-start capacitor,  $C_{SS}$ , provides over drive voltage to the FB pin at start-up, resulting in gradual increase of switch duty cycle and limited inrush current.



**FIGURE 4-4:** Soft-Start Circuit.

# MIC2292/93

## 5.0 EXTERNAL COMPONENT SELECTION

The MIC2292/93 can be used across a wide range of applications. The table below shows recommended inductor and output capacitor values for various series-LED applications.

**TABLE 5-1: RECOMMENDED INDUCTOR AND OUTPUT CAPACITOR VALUES**

Series LEDs	L	Part #	Manufacturer	Min. C <sub>OUT</sub>	Part #	Manufacturer	
2	22 $\mu$ H	LQH32CN220K21	Murata	2.2 $\mu$ F	0805ZD225KAT	AVX	
		NLC453232T-220K	TDK		GRM40X5R225K10	Murata	
	15 $\mu$ H	LQH32CN150K21	Murata	1 $\mu$ F	0805ZD105KAT	AVX	
		NLC453232T-150K	TDK		GRM40X5R105K10	Murata	
	10 $\mu$ H	LQH32CN100K21	Murata	0.22 $\mu$ F	0805ZD224KAT	AVX	
		NLC453232T-100K	TDK		GRM40X5R224K10	Murata	
	6.8 $\mu$ H	LQH32CN6R8K21	Murata	0.22 $\mu$ F	0805ZD224KAT	AVX	
		NLC453232T-6R8K	TDK		GRM40X5R224K10	Murata	
	4.7 $\mu$ H	LQH32CN4R7K21	Murata	0.22 $\mu$ F	0805ZD224KAT	AVX	
		NLC453232T-4R7K	TDK		GRM40X5R224K10	Murata	
	3	22 $\mu$ H	LQH43MN220K21	Murata	2.2 $\mu$ F	0805YD225KAT	AVX
			NLC453232T-220K	TDK		GRM40X5R225K16	Murata
15 $\mu$ H		LQH43MN150K21	Murata	1 $\mu$ F	0805YD105KAT	AVX	
		NLC453232T-150K	TDK		GRM40X5R105K16	Murata	
10 $\mu$ H		LQH43MN100K21	Murata	0.22 $\mu$ F	0805YC224KAT	AVX	
		NLC453232T-100K	TDK		GRM40X5R224K16	Murata	
6.8 $\mu$ H		LQH43MN6R8K21	Murata	0.22 $\mu$ F	0805YC224KAT	AVX	
		NLC453232T-6R8K	TDK		GRM40X5R224K16	Murata	
4.7 $\mu$ H		LQH43MN4R7K21	Murata	0.27 $\mu$ F	0805YC274KAT	AVX	
		NLC453232T-4R7K	TDK		GRM40X5R274K16	Kemet	
4		22 $\mu$ H	LQH43MN220K21	Murata	1 $\mu$ F, 25V	08053D105KAT	AVX
			NLC453232T-220K	TDK		GRM40X5R105K25	Kemet
	15 $\mu$ H	LQH43MN150K21	Murata	1 $\mu$ F, 25V	08053D105KAT	AVX	
		NLC453232T-150K	TDK		GRM40X5R105K25	Kemet	
	10 $\mu$ H	LQH43MN100K21	Murata	0.27 $\mu$ F	08053C274KAT2A	AVX	
		NLC453232T-100K	TDK		GRM40X5R274K25	Kemet	
	6.8 $\mu$ H	LQH43MN6R8K21	Murata	0.27 $\mu$ F	08053C274KAT	AVX	
		NLC453232T-6R8K	TDK		GRM40X5R274K25	Kemet	
	4.7 $\mu$ H	LQH43MN4R7K21	Murata	0.27 $\mu$ F	08053C274KAT	AVX	
		NLC453232T-4R7K	TDK		GRM40X5R274K25	Kemet	

**TABLE 5-1: RECOMMENDED INDUCTOR AND OUTPUT CAPACITOR VALUES (CONTINUED)**

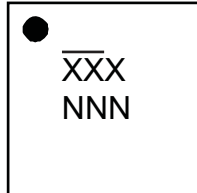
Series LEDs	L	Part #	Manufacturer	Min. C <sub>OUT</sub>	Part #	Manufacturer
5, 6	22 $\mu$ H	LQH43MN220K21	Murata	0.22 $\mu$ F	08053C224KAT	AVX
		NLC453232T-220K	TDK		GRM40X5R224K25	Murata
	15 $\mu$ H	LQH43MN150K21	Murata	0.22 $\mu$ F	08053C224KAT	AVX
		NLC453232T-150K	TDK		GRM40X5R224K25	Murata
	10 $\mu$ H	LQH43MN100K21	Murata	0.27 $\mu$ F	08053C274KAT	AVX
		NLC453232T-100K	TDK		GRM40X5R274K25	Kemet
	6.8 $\mu$ H	LQH43MN6R8K21	Murata	0.27 $\mu$ F	08053C274KAT	AVX
		NLC453232T-6R8K	TDK		GRM40X5R274K25	Kemet
4.7 $\mu$ H	LQH43MN4R7K21	Murata	0.27 $\mu$ F	08053C274KAT	AVX	
	NLC453232T-4R7K	TDK		GRM40X5R274K25	Kemet	
7, 8	22 $\mu$ H	LQH43MN220K21	Murata	0.22 $\mu$ F	0805DD224KAT	AVX
		NLC453232T-220K	TDK		GRM40X5R224K25	Murata
	15 $\mu$ H	LQH43MN150K21	Murata	0.22 $\mu$ F	0805DD224KAT	AVX
		NLC453232T-150K	TDK		GRM40X5R224K25	Murata
	10 $\mu$ H	LQH43MN100K21	Murata	0.27 $\mu$ F	08055C274KAT	AVX
		NLC453232T-100K	TDK		GRM40X5R274K25	Kemet
	6.8 $\mu$ H	LQH43MN6R8K21	Murata	0.27 $\mu$ F	08055C274KAT	AVX
		NLC453232T-6R8K	TDK		GRM40X5R274K25	Kemet
	4.7 $\mu$ H	LQH43MN4R7K21	Murata	0.27 $\mu$ F	08055C274KAT	AVX
		NLC453232T-4R7K	TDK		GRM40X5R274K25	Kemet

# MIC2292/93

## 6.0 PACKAGING INFORMATION

### 6.1 Package Marking Information

8-Lead VDFN\*



Example

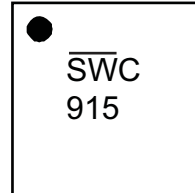


TABLE 6-1: MIC2292/93 PACKAGE MARKING CODES

Part Number	Package	OVP	Product Code
MIC2292-15YML	DFN-8	15V	SWA
MIC2292-34YML	DFN-8	34V	SWC
MIC2293-15YML	DFN-8	15V	SZA
MIC2293-34YML	DFN-8	34V	SZC

<p><b>Legend:</b></p> <p>XX...X Product code or customer-specific information</p> <p>Y Year code (last digit of calendar year)</p> <p>YY Year code (last 2 digits of calendar year)</p> <p>WW Week code (week of January 1 is week '01')</p> <p>NNN Alphanumeric traceability code</p> <p>(e3) Pb-free JEDEC® designator for Matte Tin (Sn)</p> <p>* This package is Pb-free. The Pb-free JEDEC designator (e3) can be found on the outer packaging for this package.</p> <p>•, ▲, ▼ Pin one index is identified by a dot, delta up, or delta down (triangle mark).</p>	<p><b>Note:</b> In the event the full Microchip part number cannot be marked on one line, it will be carried over to the next line, thus limiting the number of available characters for customer-specific information. Package may or may not include the corporate logo.</p> <p>Underbar (¯) and/or Overbar (¯) symbol may not be to scale.</p>
---	---

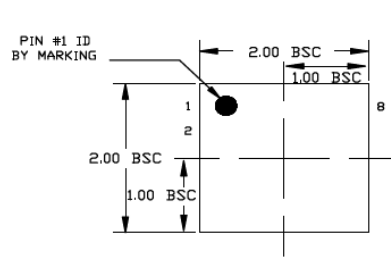
## 8-Lead 2 mm x 2 mm DFN Package Outline and Recommended Land Pattern

**TITLE**

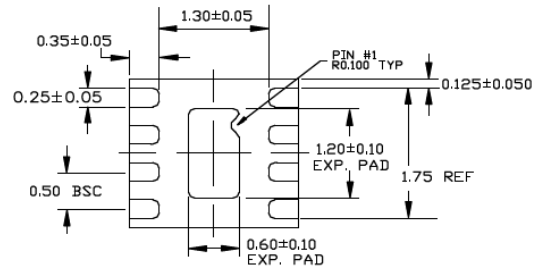
8 LEAD DFN 2x2mm PACKAGE OUTLINE & RECOMMENDED LAND PATTERN

**DRAWING #** DFN22-8LD-PL-1

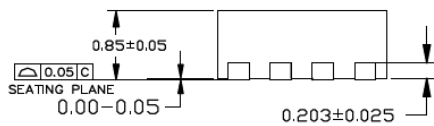
**UNIT** MM



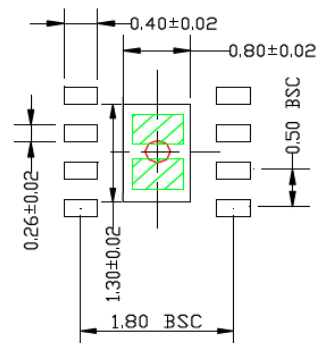
**TOP VIEW**  
NOTE: 1, 2, 3



**BOTTOM VIEW**  
NOTE: 1, 2, 3



**END VIEW**  
NOTE: 1, 2, 3



**RECOMMENDED LAND PATTERN**  
NOTE: 4, 5

**NOTE:**

1. MAX PACKAGE WARPAGE IS 0.05 MM
2. MAX ALLOWABLE BURR IS 0.076MM IN ALL DIRECTIONS
3. PIN #1 IS ON TOP WILL BE LASER MARKED
4. RED CIRCLE IN LAND PATTERN INDICATE THERMAL VIA, SIZE SHOULD BE 0.30-0.35MM IN DIAMETER AND SHOULD BE CONNECTED TO GND FOR MAX THERMAL PERFORMANCE
5. GREEN RECTANGLES (SHADED AREA) INDICATE SOLDER STENCIL OPENING ON EXPOSED PAD AREA. SIZE SHOULD BE 0.60x0.40 MM IN SIZE, 0.20 MM SPACING.

Note: For the most current package drawings, please see the Microchip Packaging Specification located at <http://www.microchip.com/packaging>.

# MIC2292/93

---

---

NOTES:



## APPENDIX A: REVISION HISTORY

### Revision A (October 2021)

- Converted Micrel document MIC2292/93 to Microchip data sheet template DS20006598A.
- Minor grammatical corrections throughout.

# MIC2292/93

---

---

NOTES:

## PRODUCT IDENTIFICATION SYSTEM

To order or obtain information, e.g., on pricing or delivery, contact your local Microchip representative or sales office.

<u>PART NO.</u>	<u>-XX</u>	<u>X</u>	<u>XX</u>	<u>-XX</u>
Device	Feature	Junction Temperature Range	Package	Media Type
<b>Device:</b>	MIC2292: High-Frequency PWM White LED Driver with Internal Schottky Diode and OVP MIC2293: High-Frequency PWM White LED Driver with Internal Schottky Diode and OVP			
<b>Feature:</b>	15 = 15V 34 = 34V			
<b>Junction Temperature Range:</b>	Y = -40°C to +125°C, RoHS Compliant			
<b>Package:</b>	ML = 8-Lead 2 mm x 2 mm x 0.9 mm DFN			
<b>Media Type:</b>	TR = 5,000/Reel			

**Examples:**

a) MIC2292-15YML-TR: High-Frequency PWM White LED Driver with Internal Schottky Diode and OVP, 15V, -40°C to +125°C Junction Temperature Range, RoHS compliant, 8-Lead DFN 2 mm x 2 mm x 0.9 mm Package, 5,000/Reel

b) MIC2293-34YML-TR: High-Frequency PWM White LED Driver with Internal Schottky Diode and OVP, 15V, -40°C to +125°C Junction Temperature Range, RoHS compliant, 8-Lead DFN 2 mm x 2 mm x 0.9 mm Package, 5,000/Reel

**Note 1:** Tape and Reel identifier only appears in the catalog part number description. This identifier is used for ordering purposes and is not printed on the device package. Check with your Microchip Sales Office for package availability with the Tape and Reel option.

# MIC2292/93

---

---

NOTES:

---

---

**Note the following details of the code protection feature on Microchip products:**

- Microchip products meet the specifications contained in their particular Microchip Data Sheet.
- Microchip believes that its family of products is secure when used in the intended manner, within operating specifications, and under normal conditions.
- Microchip values and aggressively protects its intellectual property rights. Attempts to breach the code protection features of Microchip product is strictly prohibited and may violate the Digital Millennium Copyright Act.
- Neither Microchip nor any other semiconductor manufacturer can guarantee the security of its code. Code protection does not mean that we are guaranteeing the product is “unbreakable”. Code protection is constantly evolving. Microchip is committed to continuously improving the code protection features of our products.

---

This publication and the information herein may be used only with Microchip products, including to design, test, and integrate Microchip products with your application. Use of this information in any other manner violates these terms. Information regarding device applications is provided only for your convenience and may be superseded by updates. It is your responsibility to ensure that your application meets with your specifications. Contact your local Microchip sales office for additional support or, obtain additional support at <https://www.microchip.com/en-us/support/design-help/client-support-services>.

THIS INFORMATION IS PROVIDED BY MICROCHIP "AS IS". MICROCHIP MAKES NO REPRESENTATIONS OR WARRANTIES OF ANY KIND WHETHER EXPRESS OR IMPLIED, WRITTEN OR ORAL, STATUTORY OR OTHERWISE, RELATED TO THE INFORMATION INCLUDING BUT NOT LIMITED TO ANY IMPLIED WARRANTIES OF NON-INFRINGEMENT, MERCHANTABILITY, AND FITNESS FOR A PARTICULAR PURPOSE, OR WARRANTIES RELATED TO ITS CONDITION, QUALITY, OR PERFORMANCE.

IN NO EVENT WILL MICROCHIP BE LIABLE FOR ANY INDIRECT, SPECIAL, PUNITIVE, INCIDENTAL, OR CONSEQUENTIAL LOSS, DAMAGE, COST, OR EXPENSE OF ANY KIND WHATSOEVER RELATED TO THE INFORMATION OR ITS USE, HOWEVER CAUSED, EVEN IF MICROCHIP HAS BEEN ADVISED OF THE POSSIBILITY OR THE DAMAGES ARE FORESEEABLE. TO THE FULLEST EXTENT ALLOWED BY LAW, MICROCHIP'S TOTAL LIABILITY ON ALL CLAIMS IN ANY WAY RELATED TO THE INFORMATION OR ITS USE WILL NOT EXCEED THE AMOUNT OF FEES, IF ANY, THAT YOU HAVE PAID DIRECTLY TO MICROCHIP FOR THE INFORMATION.

Use of Microchip devices in life support and/or safety applications is entirely at the buyer's risk, and the buyer agrees to defend, indemnify and hold harmless Microchip from any and all damages, claims, suits, or expenses resulting from such use. No licenses are conveyed, implicitly or otherwise, under any Microchip intellectual property rights unless otherwise stated.

For information regarding Microchip's Quality Management Systems, please visit [www.microchip.com/quality](http://www.microchip.com/quality).

**Trademarks**

The Microchip name and logo, the Microchip logo, Adaptec, AnyRate, AVR, AVR logo, AVR Freaks, BesTime, BitCloud, CryptoMemory, CryptoRF, dsPIC, flexPWR, HELDO, IGLOO, JukeBlox, KeeLoq, Kleer, LANCheck, LinkMD, maXStylus, maXTouch, MediaLB, megaAVR, Microsemi, Microsemi logo, MOST, MOST logo, MPLAB, OptoLyzer, PIC, picoPower, PICSTART, PIC32 logo, PolarFire, Prochip Designer, QTouch, SAM-BA, SenGenuity, SpyNIC, SST, SST Logo, SuperFlash, Symmetricom, SyncServer, Tachyon, TimeSource, tinyAVR, UNI/O, Vectron, and XMEGA are registered trademarks of Microchip Technology Incorporated in the U.S.A. and other countries.

AgileSwitch, APT, ClockWorks, The Embedded Control Solutions Company, EtherSynch, Flashtec, Hyper Speed Control, HyperLight Load, IntelliMOS, Libero, motorBench, mTouch, Powermite 3, Precision Edge, ProASIC, ProASIC Plus, ProASIC Plus logo, QuietWire, SmartFusion, SyncWorld, Temux, TimeCesium, TimeHub, TimePictra, TimeProvider, TrueTime, WinPath, and ZL are registered trademarks of Microchip Technology Incorporated in the U.S.A.

Adjacent Key Suppression, AKS, Analog-for-the-Digital Age, Any Capacitor, AnyIn, AnyOut, Augmented Switching, BlueSky, BodyCom, CodeGuard, CryptoAuthentication, CryptoAutomotive, CryptoCompanion, CryptoController, dsPICDEM, dsPICDEM.net, Dynamic Average Matching, DAM, ECAN, Espresso T1S, EtherGREEN, GridTime, IdealBridge, In-Circuit Serial Programming, ICSP, INICnet, Intelligent Paralleling, Inter-Chip Connectivity, JitterBlocker, Knob-on-Display, maxCrypto, maxView, memBrain, Mindi, MiWi, MPASM, MPF, MPLAB Certified logo, MPLIB, MPLINK, MultiTRAK, NetDetach, NVM Express, NVMe, Omniscient Code Generation, PICDEM, PICDEM.net, PICkit, PICtail, PowerSmart, PureSilicon, QMatrix, REAL ICE, Ripple Blocker, RTAX, RTG4, SAM-ICE, Serial Quad I/O, simpleMAP, SimpliPHY, SmartBuffer, SmartHLS, SMART-I.S., storClad, SQL, SuperSwitcher, SuperSwitcher II, Switchtec, SynchroPHY, Total Endurance, TSHARC, USBCheck, VariSense, VectorBlox, VeriPHY, ViewSpan, WiperLock, XpressConnect, and ZENA are trademarks of Microchip Technology Incorporated in the U.S.A. and other countries.

SQTP is a service mark of Microchip Technology Incorporated in the U.S.A.

The Adaptec logo, Frequency on Demand, Silicon Storage Technology, Symmcom, and Trusted Time are registered trademarks of Microchip Technology Inc. in other countries.

GestIC is a registered trademark of Microchip Technology Germany II GmbH & Co. KG, a subsidiary of Microchip Technology Inc., in other countries.

All other trademarks mentioned herein are property of their respective companies.

© 2021, Microchip Technology Incorporated and its subsidiaries.

All Rights Reserved.

ISBN: 978-1-5224-9187-3



# MICROCHIP

## Worldwide Sales and Service

### AMERICAS

**Corporate Office**  
2355 West Chandler Blvd.  
Chandler, AZ 85224-6199  
Tel: 480-792-7200  
Fax: 480-792-7277  
Technical Support:  
<http://www.microchip.com/support>  
Web Address:  
[www.microchip.com](http://www.microchip.com)

#### Atlanta

Duluth, GA  
Tel: 678-957-9614  
Fax: 678-957-1455

#### Austin, TX

Tel: 512-257-3370

#### Boston

Westborough, MA  
Tel: 774-760-0087  
Fax: 774-760-0088

#### Chicago

Itasca, IL  
Tel: 630-285-0071  
Fax: 630-285-0075

#### Dallas

Addison, TX  
Tel: 972-818-7423  
Fax: 972-818-2924

#### Detroit

Novi, MI  
Tel: 248-848-4000

#### Houston, TX

Tel: 281-894-5983

#### Indianapolis

Noblesville, IN  
Tel: 317-773-8323  
Fax: 317-773-5453  
Tel: 317-536-2380

#### Los Angeles

Mission Viejo, CA  
Tel: 949-462-9523  
Fax: 949-462-9608  
Tel: 951-273-7800

#### Raleigh, NC

Tel: 919-844-7510

#### New York, NY

Tel: 631-435-6000

#### San Jose, CA

Tel: 408-735-9110  
Tel: 408-436-4270

#### Canada - Toronto

Tel: 905-695-1980  
Fax: 905-695-2078

### ASIA/PACIFIC

**Australia - Sydney**  
Tel: 61-2-9868-6733

**China - Beijing**  
Tel: 86-10-8569-7000

**China - Chengdu**  
Tel: 86-28-8665-5511

**China - Chongqing**  
Tel: 86-23-8980-9588

**China - Dongguan**  
Tel: 86-769-8702-9880

**China - Guangzhou**  
Tel: 86-20-8755-8029

**China - Hangzhou**  
Tel: 86-571-8792-8115

**China - Hong Kong SAR**  
Tel: 852-2943-5100

**China - Nanjing**  
Tel: 86-25-8473-2460

**China - Qingdao**  
Tel: 86-532-8502-7355

**China - Shanghai**  
Tel: 86-21-3326-8000

**China - Shenyang**  
Tel: 86-24-2334-2829

**China - Shenzhen**  
Tel: 86-755-8864-2200

**China - Suzhou**  
Tel: 86-186-6233-1526

**China - Wuhan**  
Tel: 86-27-5980-5300

**China - Xian**  
Tel: 86-29-8833-7252

**China - Xiamen**  
Tel: 86-592-2388138

**China - Zhuhai**  
Tel: 86-756-3210040

### ASIA/PACIFIC

**India - Bangalore**  
Tel: 91-80-3090-4444

**India - New Delhi**  
Tel: 91-11-4160-8631

**India - Pune**  
Tel: 91-20-4121-0141

**Japan - Osaka**  
Tel: 81-6-6152-7160

**Japan - Tokyo**  
Tel: 81-3-6880-3770

**Korea - Daegu**  
Tel: 82-53-744-4301

**Korea - Seoul**  
Tel: 82-2-554-7200

**Malaysia - Kuala Lumpur**  
Tel: 60-3-7651-7906

**Malaysia - Penang**  
Tel: 60-4-227-8870

**Philippines - Manila**  
Tel: 63-2-634-9065

**Singapore**  
Tel: 65-6334-8870

**Taiwan - Hsin Chu**  
Tel: 886-3-577-8366

**Taiwan - Kaohsiung**  
Tel: 886-7-213-7830

**Taiwan - Taipei**  
Tel: 886-2-2508-8600

**Thailand - Bangkok**  
Tel: 66-2-694-1351

**Vietnam - Ho Chi Minh**  
Tel: 84-28-5448-2100

### EUROPE

**Austria - Wels**  
Tel: 43-7242-2244-39  
Fax: 43-7242-2244-393

**Denmark - Copenhagen**  
Tel: 45-4485-5910  
Fax: 45-4485-2829

**Finland - Espoo**  
Tel: 358-9-4520-820

**France - Paris**  
Tel: 33-1-69-53-63-20  
Fax: 33-1-69-30-90-79

**Germany - Garching**  
Tel: 49-8931-9700

**Germany - Haan**  
Tel: 49-2129-3766400

**Germany - Heilbronn**  
Tel: 49-7131-72400

**Germany - Karlsruhe**  
Tel: 49-721-625370

**Germany - Munich**  
Tel: 49-89-627-144-0  
Fax: 49-89-627-144-44

**Germany - Rosenheim**  
Tel: 49-8031-354-560

**Israel - Ra'anana**  
Tel: 972-9-744-7705

**Italy - Milan**  
Tel: 39-0331-742611  
Fax: 39-0331-466781

**Italy - Padova**  
Tel: 39-049-7625286

**Netherlands - Drunen**  
Tel: 31-416-690399  
Fax: 31-416-690340

**Norway - Trondheim**  
Tel: 47-7288-4388

**Poland - Warsaw**  
Tel: 48-22-3325737

**Romania - Bucharest**  
Tel: 40-21-407-87-50

**Spain - Madrid**  
Tel: 34-91-708-08-90  
Fax: 34-91-708-08-91

**Sweden - Gothenberg**  
Tel: 46-31-704-60-40

**Sweden - Stockholm**  
Tel: 46-8-5090-4654

**UK - Wokingham**  
Tel: 44-118-921-5800  
Fax: 44-118-921-5820