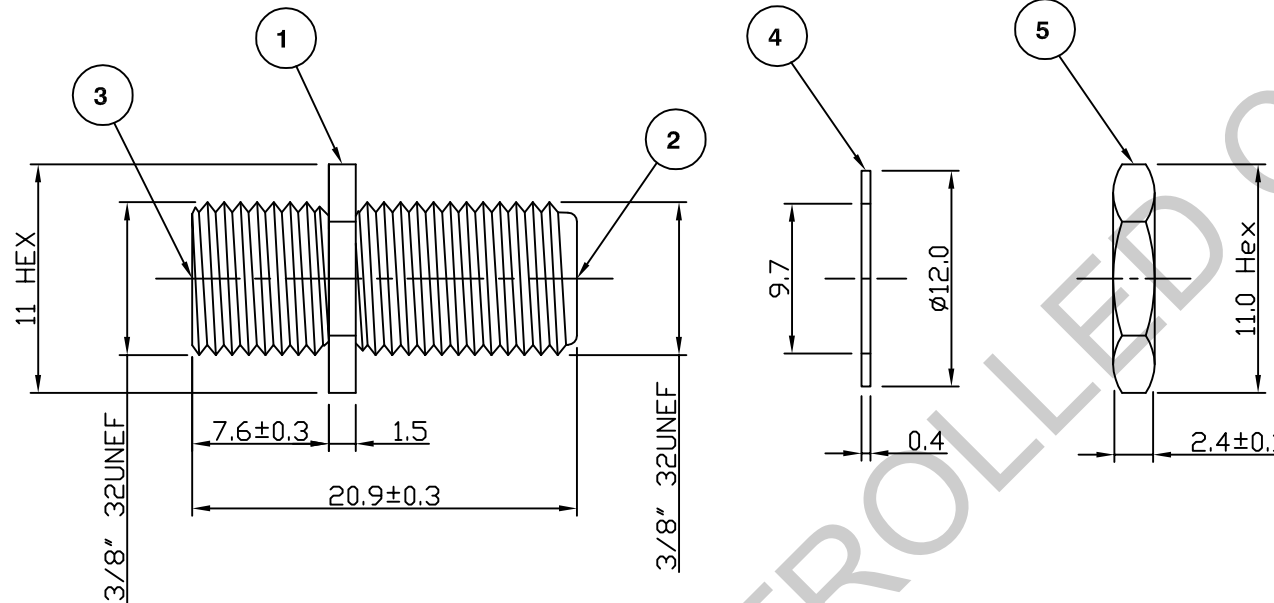


RoHS COMPLIANT



**Electrical Characteristics**

Nominal Impedance: 75 ohms  
 Frequency Range: DC to 2 GHz  
 Operating Voltage (rms): 250 V maximum at sea level

**Mechanical Characteristics**

Mating Cycles: 200 cycles minimum

**Environmental Characteristics**

Temperature Range: -55 °C to +85 °C

PART	DESCRIPTION	
1	Body	Brass, nickel plated
2	Dielectric	Polypropylene
3	Contact	Brass, tin plated
4	Washer	Iron, nickel plated
5	Nut	Iron, nickel plated

Dimension & material update	KA	3	24 Sept 08
CAD Issue	SN	2	12 Dec 02
First Issue	CBB	1	05 Nov 99
DESCRIPTION OF REVISION	APPVD	ISS	DATE



Cinch Connectivity Solutions  
 7-13 Russel Way,  
 Widford Industrial Estate,  
 Chelmsford, Essex,  
 CM1 3AA, UK.  
 Tel: +44 (0) 1245 359515  
 Fax: +44 (0) 1245 358938

SCALE: Not To Scale

DIMENSIONS: mm

TOLERANCES:  
 ± 0.2mm unless  
 otherwise stated

DRAWN BY:

S Nash

CHECKED BY:

P Couzens

APPROVED BY:

P Couzens

DATE:

12 Dec 02

TITLE:

F Bulkhead Jack to Jack  
 Adaptor

PART NUMBER:

**VFA340**

PAGE: 1 of 1