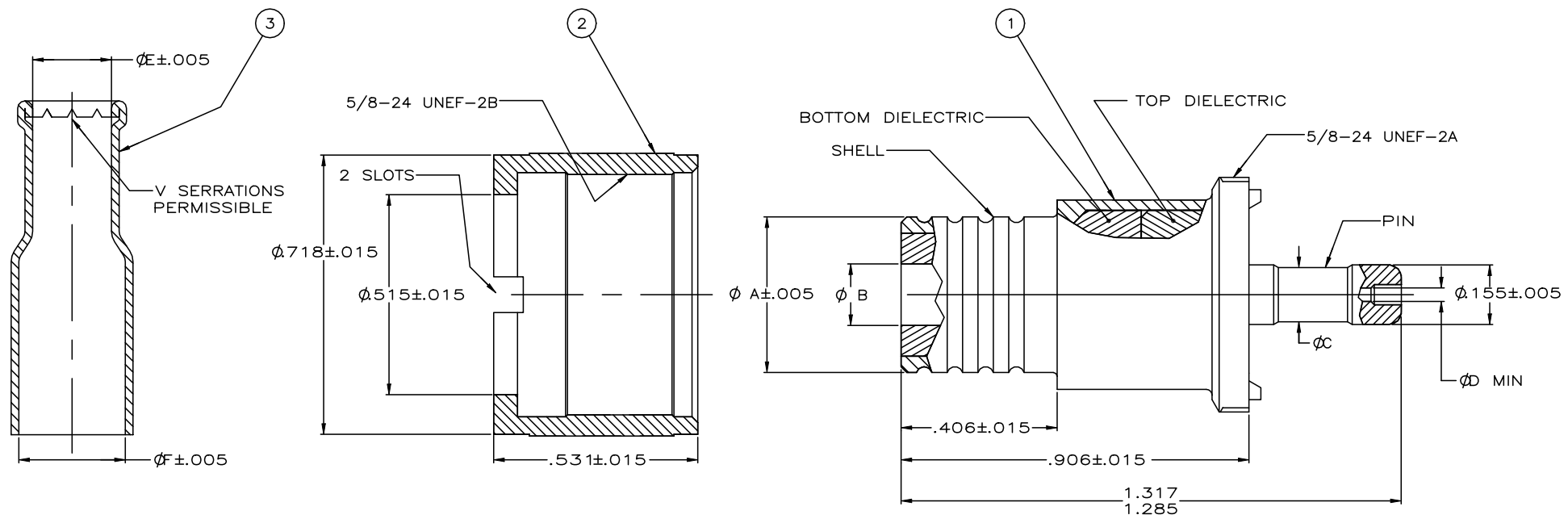


REVISIONS					
P	LTR	DESCRIPTION	DATE	DWN	APVD
	AJ	REVISED PER ECR-21-104090	27MAY2021	ED	WH

1. BELDEN 8279 & AMPHENOL 621-186.



OBSOLETE	-	-	-	-	-	-	-	-	-	-	-	-	-	-	4-330830-0
OBSOLETE	-	-	-	-	-	-	-	-	-	-	-	-	-	-	3-330830-9
OBSOLETE	-	-	-	-	-	-	-	-	-	-	-	-	-	-	3-330830-8
OBSOLETE	-	-	-	-	-	-	-	-	-	-	-	-	-	-	3-330830-6
OBSOLETE	-	-	-	-	-	-	-	-	-	-	-	-	-	-	3-330830-5
OBSOLETE	-	-	-	-	-	-	-	-	-	-	-	-	-	-	3-330830-4
OBSOLETE	-	-	-	-	-	-	-	-	-	-	-	-	-	-	3-330830-3
OBSOLETE	-	.875	.448	.425	.088	-	.295	.405	BELDEN 8214	330915	330914	2-330913-8	-	-	3-330830-1
OBSOLETE	-	-	-	-	-	-	-	-	-	-	-	-	-	-	3-330830-0
OBSOLETE	-	-	-	-	-	-	-	-	-	-	-	-	-	-	2-330830-9
OBSOLETE	-	-	-	-	-	-	-	-	-	-	-	-	-	-	2-330830-8
OBSOLETE	-	-	-	-	-	-	-	-	-	-	-	-	-	-	2-330830-7
OBSOLETE	-	-	-	-	-	-	-	-	-	-	-	-	-	-	2-330830-6
OBSOLETE	.705 OZ	.875	.277	.205	.057	.141	.130	.233	RG-58/U	9-330915-1	330914	2-330913-3	-	-	2-330830-4
OBSOLETE	-	-	-	-	-	-	-	-	-	-	-	-	-	-	2-330830-3
OBSOLETE	.705 OZ	.875	.340	.340	.034	.141	.215	.262	WE-724, BELDEN 8281	2-330915-1	330914	2-330913-1	-	-	2-330830-2
OBSOLETE	-	.875	.448	.425	.088	-	.295	.405	RG-8, RG-8A, RG-213/U	330915	330914	330913	-	-	330830

ITEM	MATERIAL AND FINISH
1	COPPER PER QQ-C-576 SILVER PL PER QQ-S-365 .0002 MIN. EXT THK.
2	BRASS PER QQ-B-626 SILVER PL PER QQ-S-365 .0002 MIN. EXT THK.
3	PIN: BRONZE PER ASTM-B-140 SILVER PL PER QQ-S-365 .0002 MIN. EXT THK. DIELECTRIC, TOP & BOTTOM: POLYPROPYLENE (GENERAL PURPOSE) SHELL: BRASS PER QQ-B-626 SILVER PL PER QQ-S-365 .0002 MIN. EXT THK.

WEIGHT	G	F	E	D	C	B	A	CABLE SIZE	FERRULE QTY=1	COLLAR QTY=1	PLUG ASSY QTY=1	PART NUMBER
									3	2	1	

THIS DRAWING IS A CONTROLLED DOCUMENT.

DIMENSIONS:	TOLERANCES UNLESS OTHERWISE SPECIFIED:
INCHES	0 PLC ± -
	1 PLC ± -
	2 PLC ± -
	3 PLC ± .008
	4 PLC ± -
ANGLES:	± 5°
MATERIAL:	FINISH:
SEE CHART	SEE CHART

DWN	M. O'BRINE	15DEC99
CHK	J. HAVENER	15DEC99
APVD	J. HAVENER	15DEC99
NAME	NAME	
PRODUCT SPEC	NAME	
APPLICATION SPEC	NAME	
SIZE	CAGE CODE	DRAWING NO
WEIGHT	0.000000	A2 00779 C=330830
CUSTOMER DRAWING	SCALE	N/A
SHEET	1	OF 1
REV	AJ	