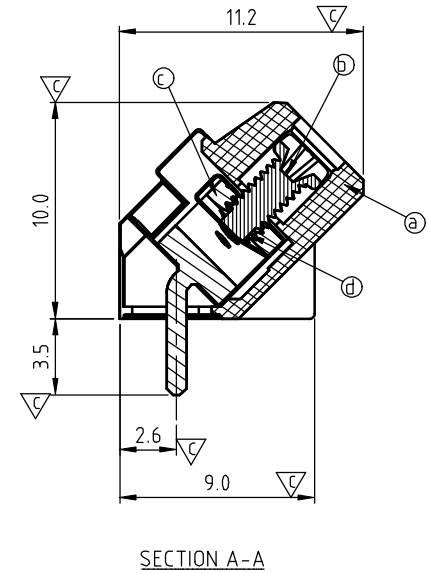
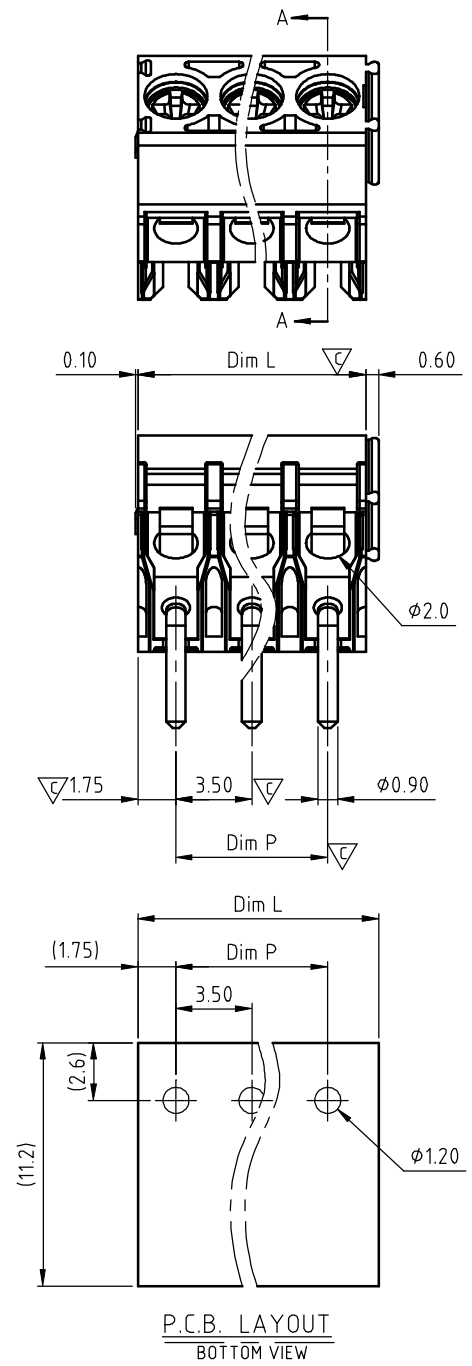


SIGN	DATE	DESCRIPTION	APPROVER
△	10/29'13	Update the drawing	Guoxue
THIS IS CAD DRAWING, DO NOT REVISE MANUALLY!!!			



N = Number of poles
 Dim L = N x 3.5
 Dim P = (N - 1) x 3.5

Poles	Dim.	Dim L	Dim P
2-6p		±0.15	±0.10
7-12p		±0.20	±0.15
13-18p		±0.25	±0.20
19-24p		±0.30	±0.25

Materials

- Item ① Terminal body: Thermoplastic (UL 94V-0)
- Item ② Terminal screw: Steel Zinc plating "+/-" slot type
- Item ③ Wire guard: Stainless steel
- Item ④ Clamp: Brass (CuZn) Tin Plated

- Electrical cULus**
- Voltage rating: 300VAC
 - Current rating: 10A
 - Wire range:
 - Solid wire (AWG): 16-26
 - Stranded wire (AWG): 16-26
 - △ ● Torque (Lb-In): 1.1
 - Screw: M2.0
 - Wire strip length: 4-5mm
 - Withstanding Voltage: 1.6KV
 - Operating temperature: -40°C to +115°C
 - △ ● Soldering temperature: 260°C ± 5°C / 5 Sec
 - △ ● Safety Approval: US
 - Critical dimension:

△ **KZ xx 10 x 1 xxxx G**

End stackable
 02 2 POLES
 03 3 POLES
 ...
 24 24 POLES

COLOR

- 0 Black (RAL9005)
- 2 Red (RAL3001/D)
- 3 Orange (RAL2011/P)
- 4 Yellow (RAL1018/A)
- 5 Green (RAL6018/T)
- 6 Blue (RAL5015/A)
- 8 Grey (RAL7035/D)
- C Green (RAL6018/U)

RoHS compliant (lead < 4%)
 In copper Alloy

0000: "@ Logo (Standard)
 000A: "ANYTEK" Mark

Any special item by customer request, please contact sales department.

ANYTEK				INSPECTION COPY			
ALL RIGHTS RESERVED. REPRODUCTION OR ISSUE TO THIRD PARTIES IN ANY FORM WHATSOEVER IS NOT PERMITTED WITHOUT WRITTEN AUTHORITY FROM THE PROPRIETOR. PROPERTY OF ANYTEK TECHNOLOGY CO., LTD							
TITLE		KZ 3.5 Series (" +/- "Screw & Round hole)					
PART NO.		KZxx10x1xxxxG			DWG NO.		8KZ0002
APPROVED		CHECKED		DESIGNED		DRAWN	
		Guoxue 2013.10.29		Guoxue 2013.10.29		CUST NO.	
						Tolerance	
						X. ±0.5	
						X.X ±0.3	
						X.XX ±0.1	
						X° ±1°	
						UNIT: mm	
						SCALE: NONE	
				SHEET: 01/01		REV.: C	