

Ratings

Voltage: 600 V
 Temperature: -40~105 °C
 Flammability: FT2

Conductor

Conductor count: 10
 Gauge: 18 AWG 0.82 mm²
 Material: tinned copper strands
 Strand size: $\phi 0.16 \times 41$
 Resistance at 20 °C: 23.2 Ω /km max

Insulator

Material: mPPE
 Color: red, black, white, yellow, blue, green, orange, purple, gray, brown
 Diameter: $\phi 1.8 \pm 0.10$ mm
 Average thickness: 0.29 mm
 Minimum thickness: 0.23 mm
 Resistance at 20 °C: 100 M Ω /km min

Shield

Type: foil
 Material: aluminum mylar
 Coverage: 100%

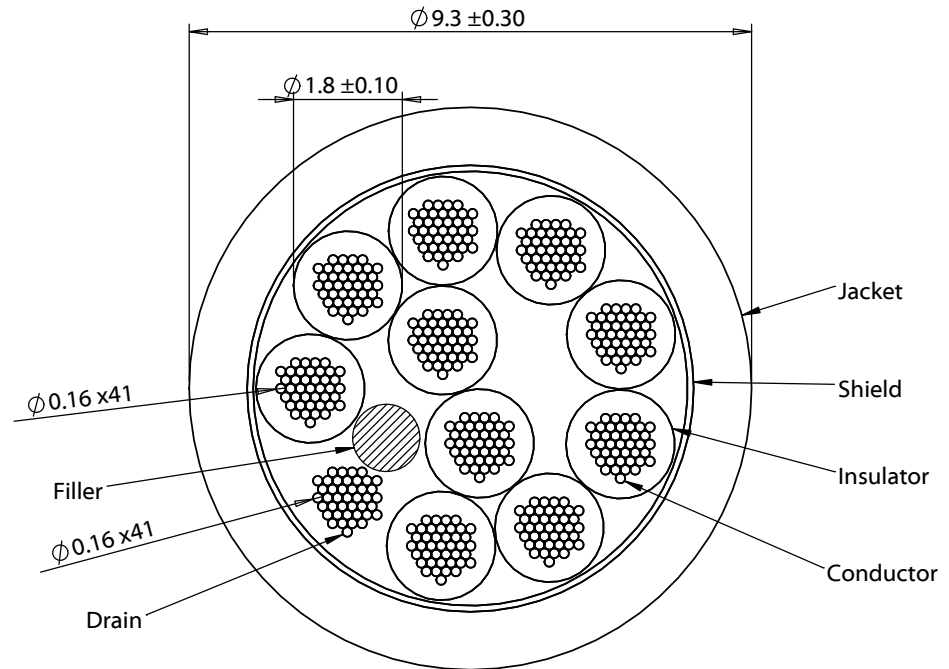
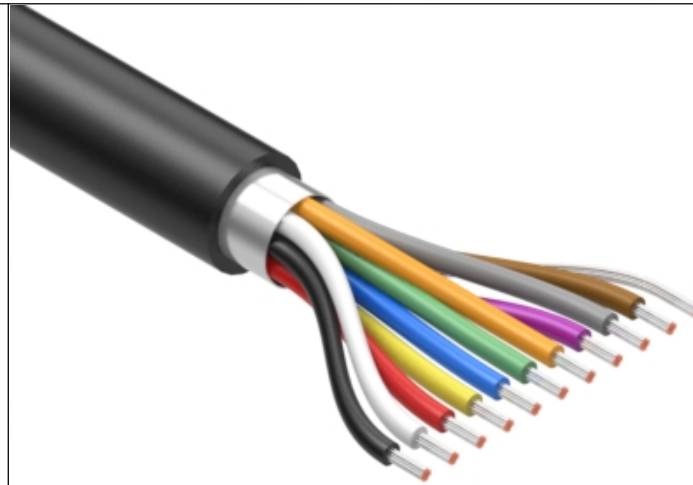
Outer jacket

Material: mPPE, 85A
 Color: black
 Diameter: $\phi 9.3 \pm 0.30$ mm
 Average thickness: 1 mm
 Minimum thickness: 0.7 mm

Wire marking: E339579 UL AWM STYLE 21509 18 AWG 105°C 600V --- cUL AWM I A 105°C 600V FT2 TENSILITY

Bend radius

Minimum: 6 times diameter (55.8 mm)



| | | | | | |
|-----------|-----------|-----------------|--|--|---|
| Revision: | Date: | Description: | Prepared: AW <small>Digitally signed by AW Date: 2020.04.21 16:26:38 -07'00'</small> | Notes: | TENSILITY tel 1.541.323.3228 800 877.670.7118 fax 1.541.323.4202 web tensility.com |
| A | 4/20/2020 | Initial release | Verified: JC <small>Digitally signed by JC Date: 2020.04.21 16:27:17 -07'00'</small> | RoHS compliant Phthalate and halogen free | |
| | | | Dimensions are in millimeters. Tolerances: X: ± 0.5 mm X.X: ± 0.3 mm X.XX: ± 0.05 mm | Description: Wire, 10C TS, 18 AWG, 21509, 600V, 105C, 9.3 mm, shielded, FT2, mPPE | Size: A Part number: 30-01530 |
| | | | | | Scale: 8:1 Sheet 1 of 1 |

5

4

3

2

1