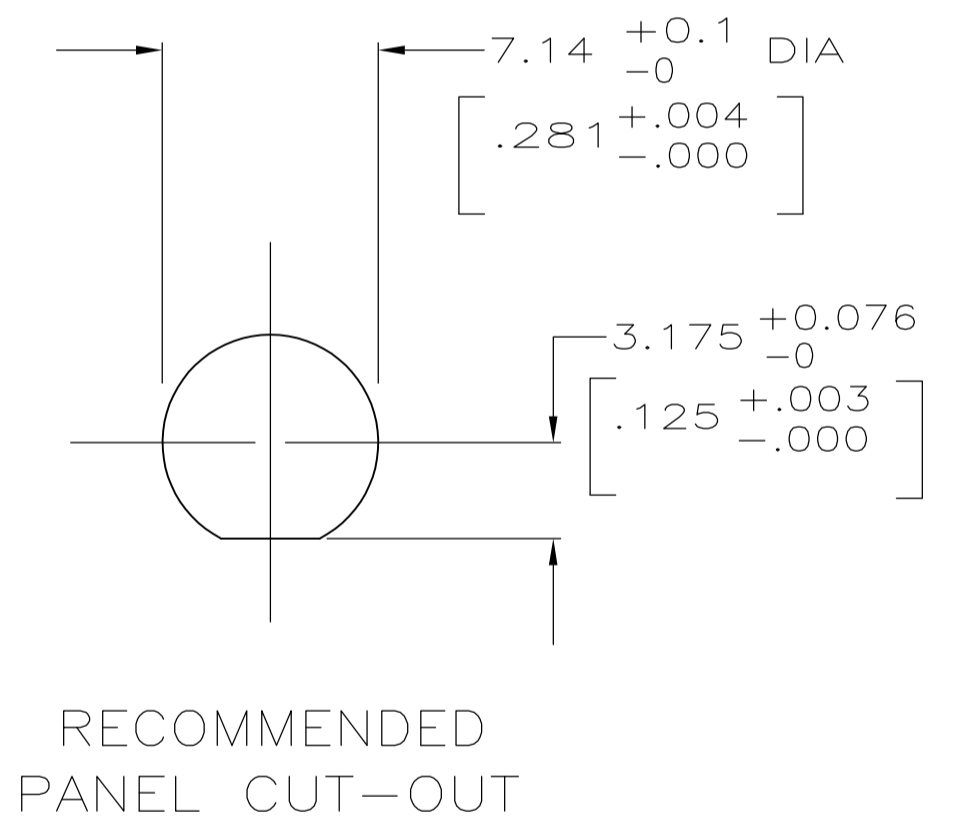
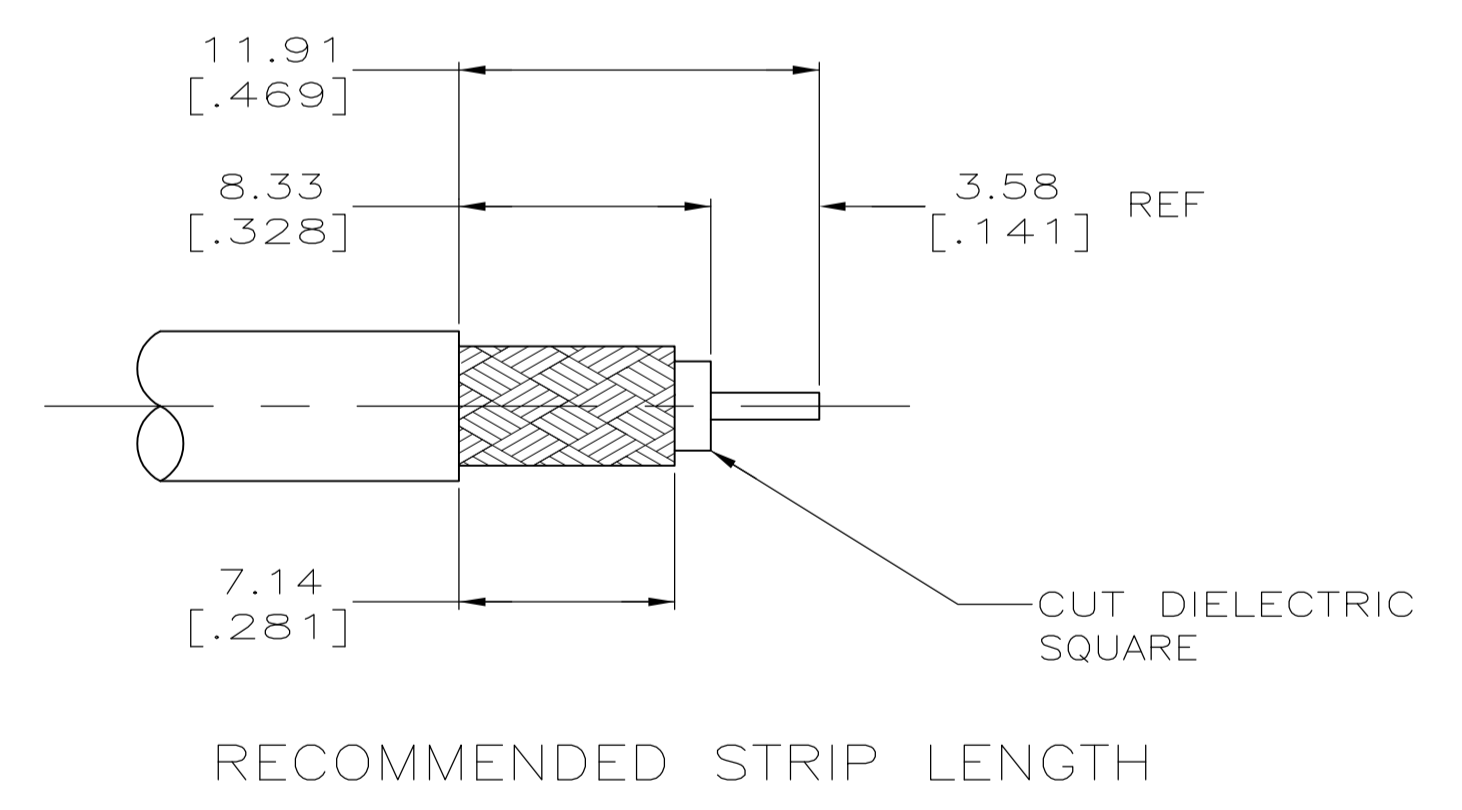


1. STEEL STAMP
2. PARTS PACKAGED UNASSEMBLED.
3. SEE INSTRUCTION SHEET NO. 408-2322.



OBSOLETE	220061-1	RG-174/U,188A/U & 316/U	2-332004-0	1-22145-3	226315-1	9-50285-0	448180-3	225549-2	9-225608-0		
OBSOLETE	59962-1	RG-316	2-332004-0	1-22145-3	226315-1	50285-5	225546-2	225549-2	1-225608-1		
OBSOLETE	220061-1	RG-141/U,141A/U & 303/U	2-332004-0	1-22145-3	226315-1	225619-2	225546-1	225549-1	225608-9		
OBSOLETE	220061-1	RG-179B/U & 187A/U	2-332004-0	1-22145-3	226315-1	50285-7	225546-2	225549-3	225608-8		
	220061-1	RG-174/U,188A/U & 316/U	2-332004-0	1-22145-3	226315-1	9-50285-0	448180-3	225549-2	225608-4		
OBSOLETE	220061-1	RG-142/U,142A/U & 142B/U	2-332004-0	1-22145-3	226315-1	225618-3	225546-1	225549-1	225608-3		
OBSOLETE	220061-1	RG-58A/U & 58C/U	2-332004-0	1-22145-3	226315-1	225619-2	225546-1	225549-1	225608-1		
		HAND TOOL		CABLE SIZE	⑥ JAM NUT QTY=1	⑤ LOCKWASHER QTY=1	④ O-RING QTY=1	③ FERRULE QTY=1	② CONTACT QTY=1	① BULKHEAD JACK ASSY QTY=1	ASSY NO

THIS DRAWING IS A CONTROLLED DOCUMENT.

DIMENSIONS: mm [INCHES]

TOLERANCES UNLESS OTHERWISE SPECIFIED:

0 PLC	±	-
1 PLC	±	-
2 PLC	±	0.41 [016]
3 PLC	±	-
4 PLC	±	-
ANGLES	±	-

MATERIAL: - FINISH: -

WEIGHT: -

APPROVED: S. J. MAGARO 9-15-89
CHK: R. E. RUTH 9/21/89
D. VERMEERSCH 9/27/89

NAME: JACK, BULKHEAD, SERIES SMA

SIZE: A1

SCALE: 4:1

SHEET: 1 OF 1

REV: S

CUSTOMER DRAWING

