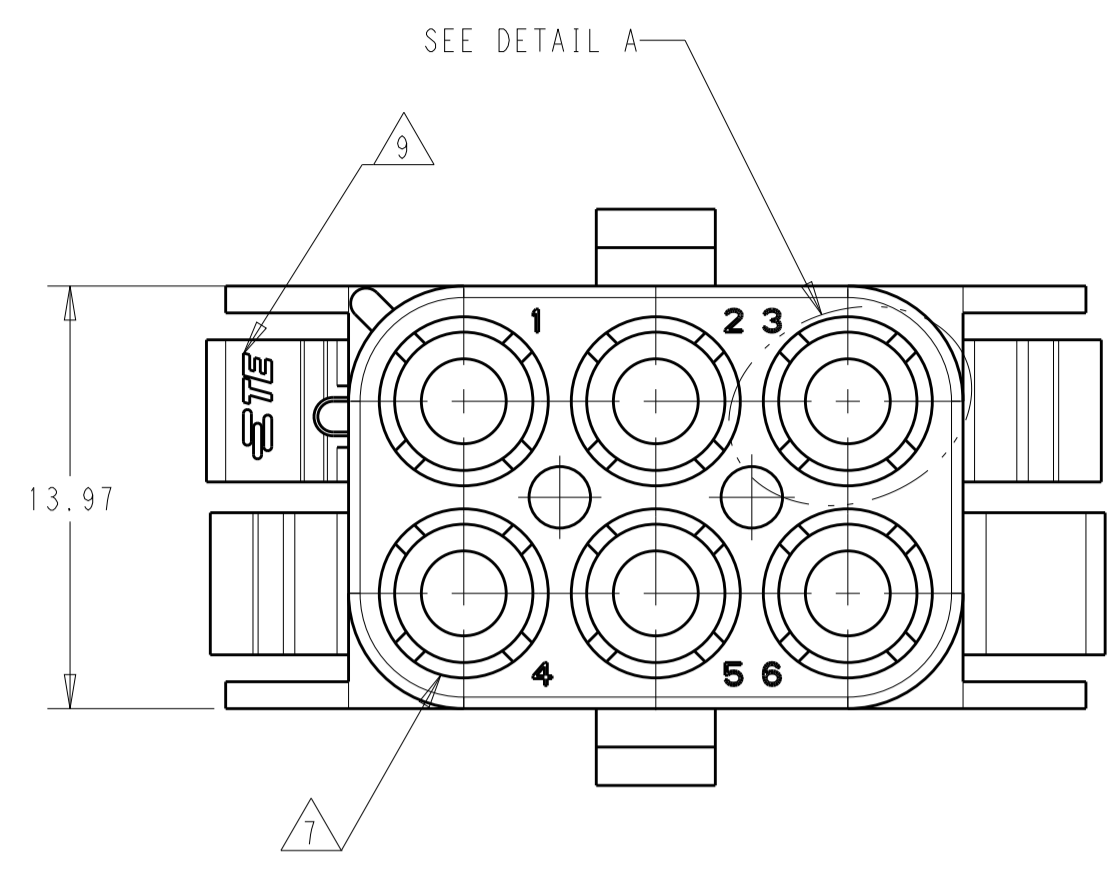
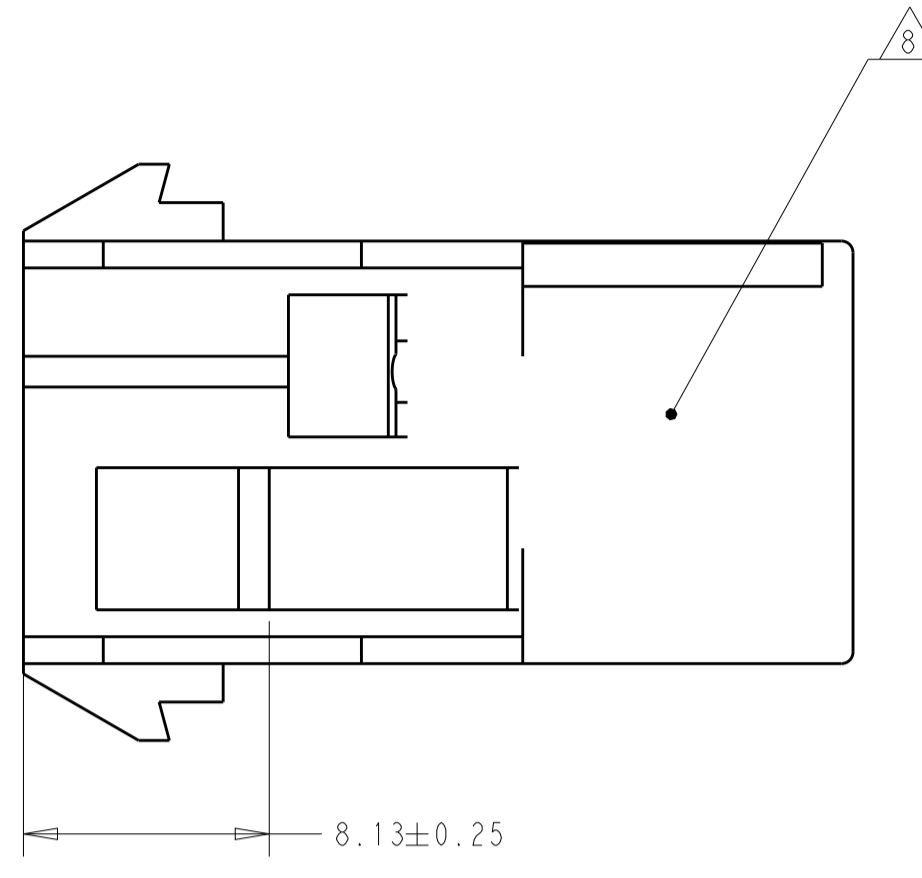
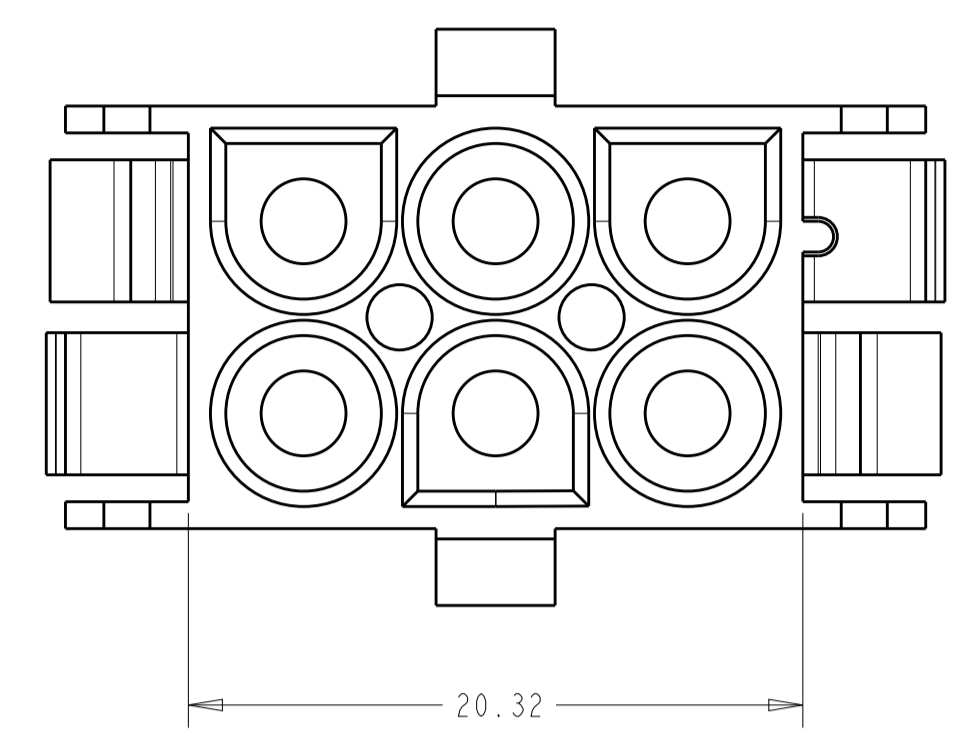
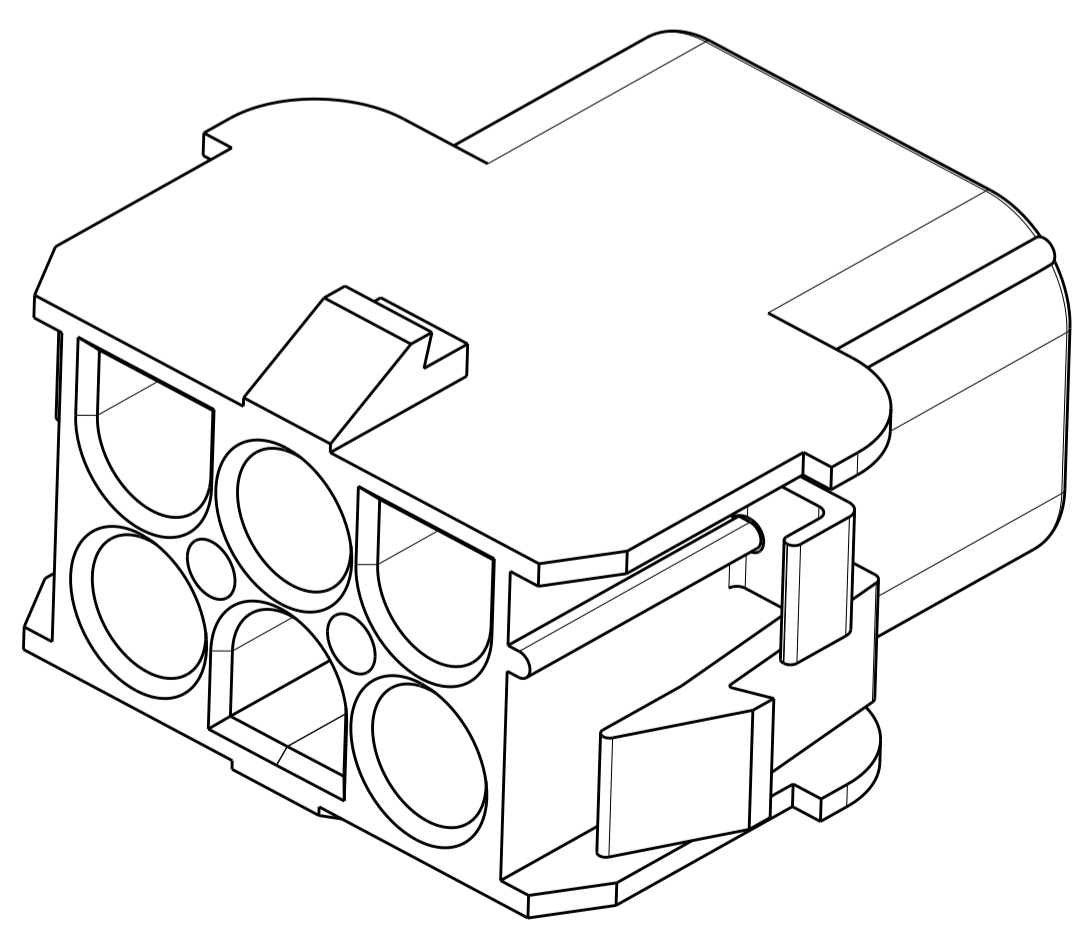
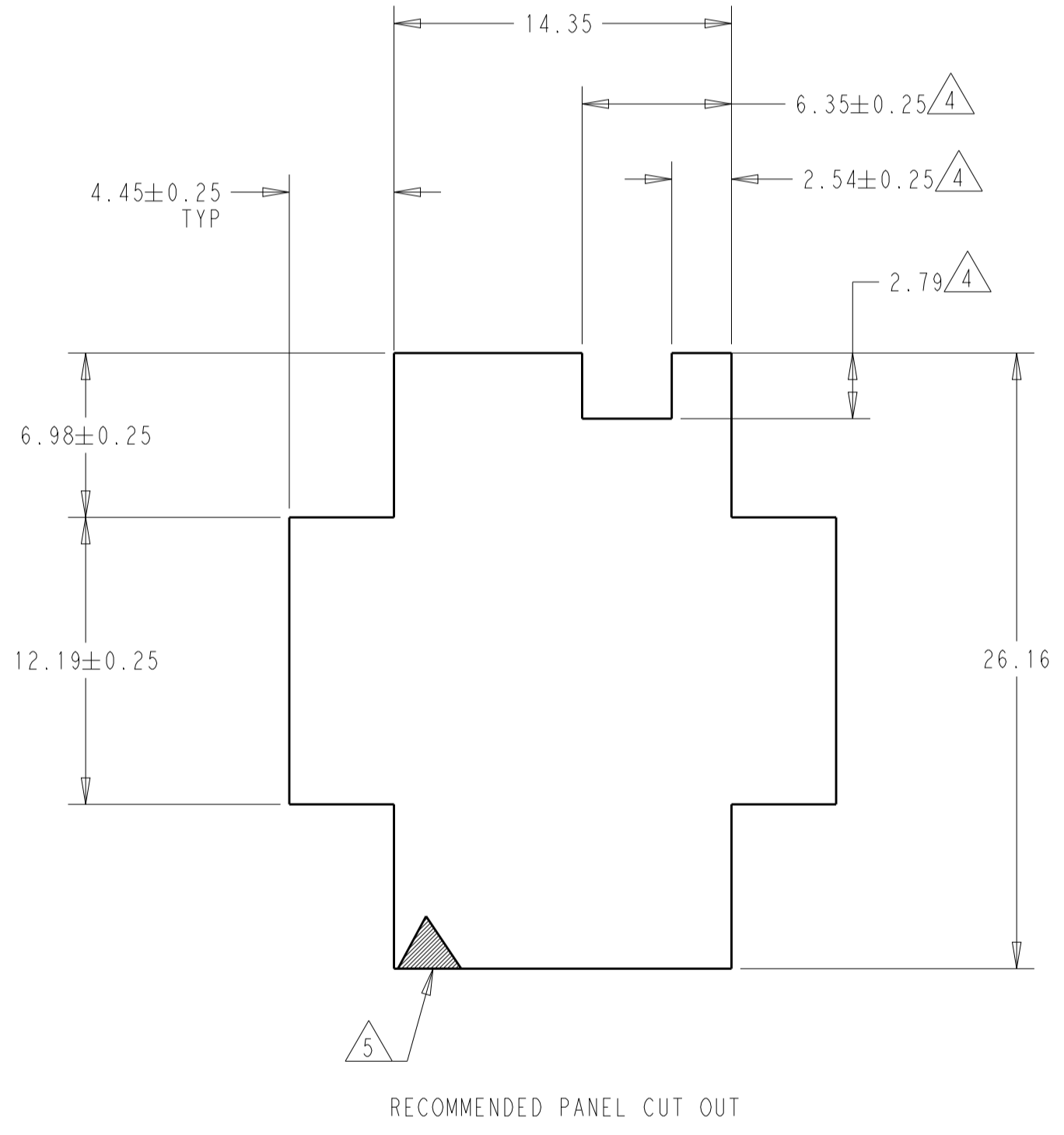
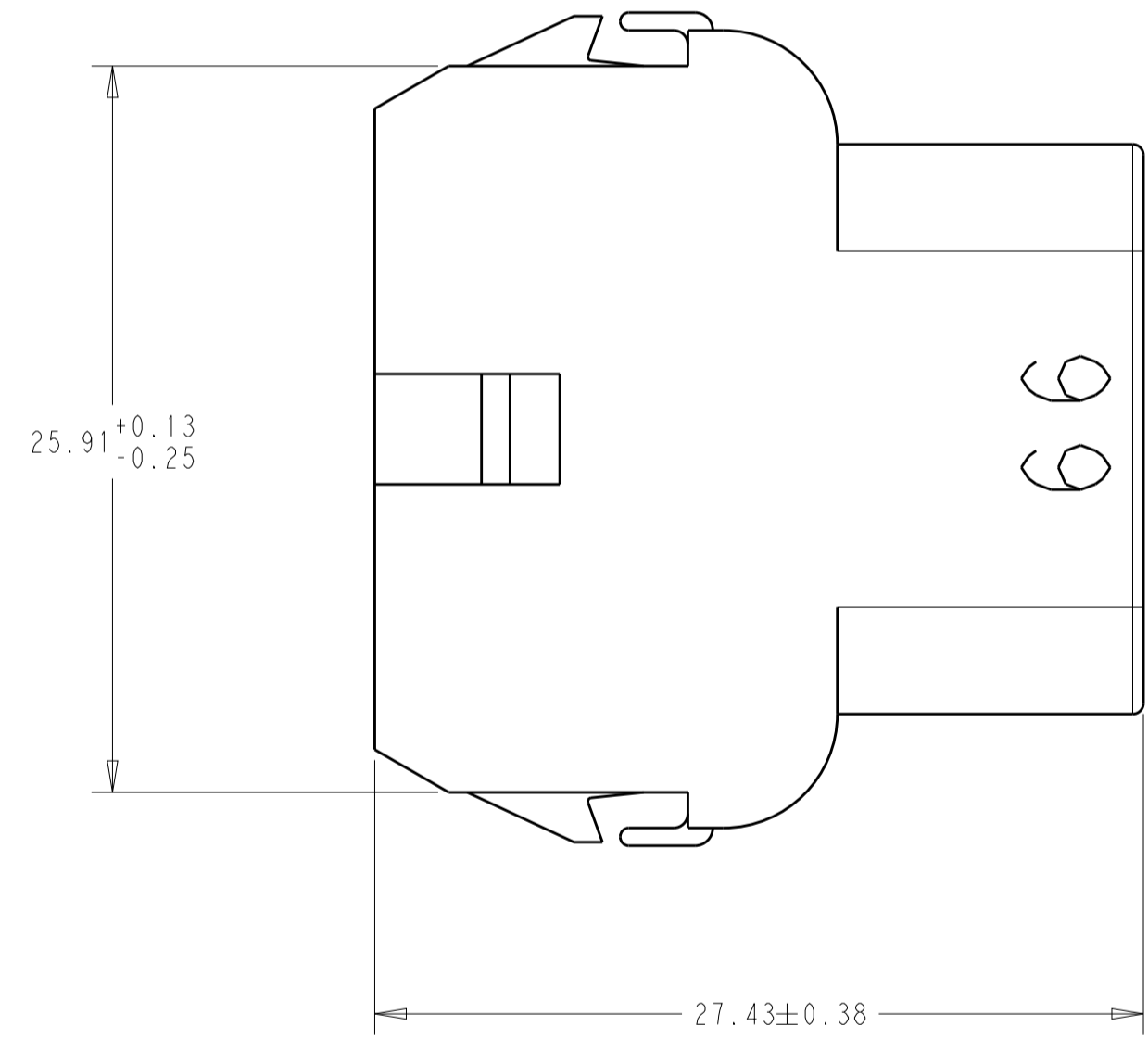
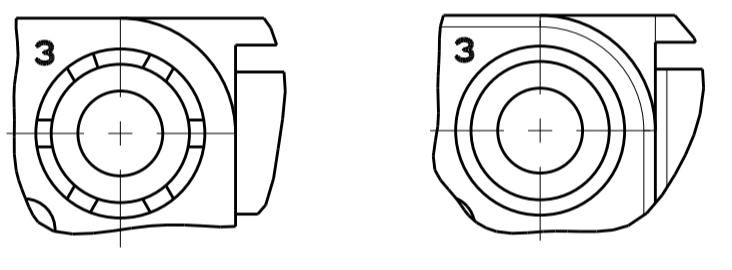


REVISIONS				
P	LTN	DESCRIPTION	DATE	APVD
W5		REDRAWN PER ECO-19-005708	03MAY2019	BKW SF
Y		REVISED PER ECO-20-006810	02JUN2020	BKW SF



1. MATES WITH APPROPRIATE UNIVERSAL MATE-N-LOCK™ PLUG
2. RECOMMENDED PANEL THICKNESS 0.76 - 2.29.
3. PANEL MUST BE PUNCHED SO THAT THE HOUSING ENTERS THE PANEL IN THE SAME DIRECTION AS THE PUNCH.
4. OPTIONAL FOR KEYING HOUSING IN PANEL.
5. CIRCUIT NUMBER 1 LOCATION.
6. DIMENSIONS SHOWN REPRESENT PRODUCT IN DRY, AS MOLDED, CONDITION. ADDITIONAL 2% GROWTH DUE TO SUBSEQUENT MOISTURE ABSORPTION MAY OCCUR AND SHOULD BE ACCOUNTED FOR.
7. FOUR RIBS EQUALLY SPACED, NO SPECIFIC ORIENTATION. NO RIBS OR SIX RIBS EQUALLY SPACED, NO SPECIFIC ORIENTATION, OPTIONAL.
8. UNDERWRITERS RECOGNIZED COMPONENT LOGO AND CSA CERTIFICATION LOGO TO BE LOCATED ONCE EACH ON SIDE OF HOUSING.
9. TRADEMARK LOCATION: AMP OR TE



OBSOLETE	BLACK	1-350781-9
OBSOLETE	GRAY	1-350781-8
OBSOLETE	BLUE	1-350781-6
OBSOLETE	GREEN	1-350781-5
	YELLOW	1-350781-4
OBSOLETE	ORANGE	1-350781-3
	RED	1-350781-2
OBSOLETE	BROWN	1-350781-1
OBSOLETE	RED	350781-2
	NATURAL	350781-1
	COLOR	PART NUMBER

THIS DRAWING IS A CONTROLLED DOCUMENT.

DIMENSIONS:	TOLERANCES UNLESS OTHERWISE SPECIFIED:	DWN: B. WEAVER 03MAY2019	CHK: S. FERNANDES 03MAY2019	APVD: T. BENCHOFF 03MAY2019
mm	0 PLC ±	NAME: CAP, 6 CIRCUIT, UNIVERSAL MATE-N-LOCK		
	1 PLC ±0.13	PRODUCT SPEC: -		
	2 PLC ±	APPLICATION SPEC: -		
	3 PLC ±	SIZE: A		
	4 PLC ±	CAGE CODE: 00779		
	ANGLES ±1°	DRAWING NO: 350781		
MATERIAL: NYLON UL 94V-0	FINISH: -	WEIGHT: -	CUSTOMER DRAWING	SCALE: 4:1 SHEET 1 OF 1 REV Y