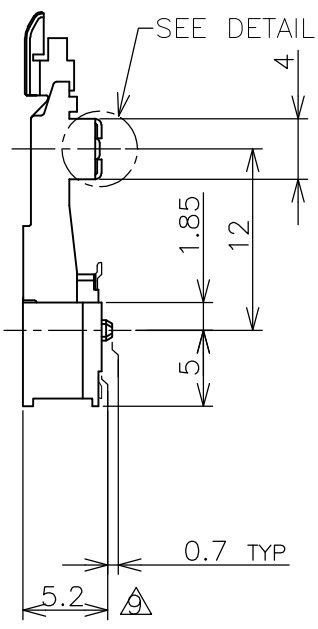
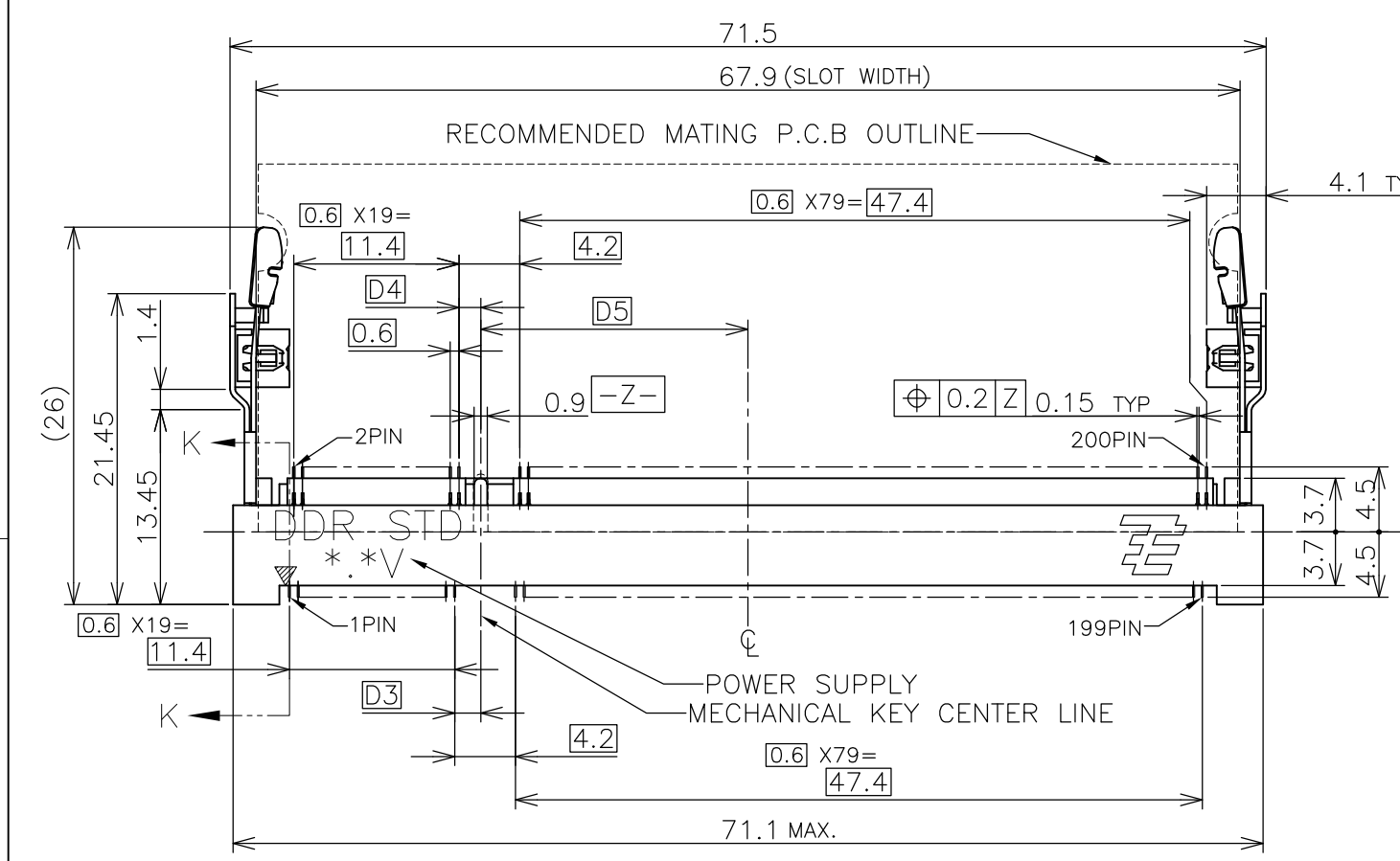
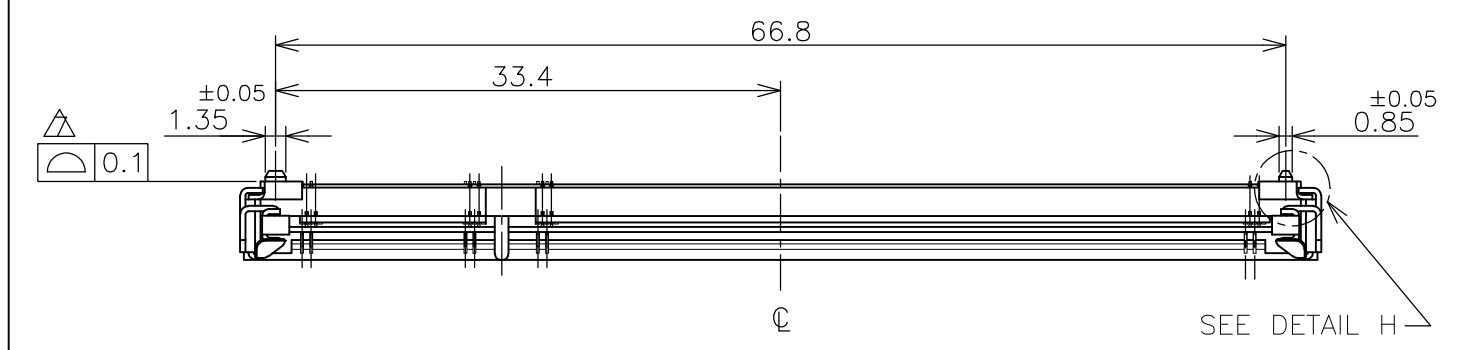
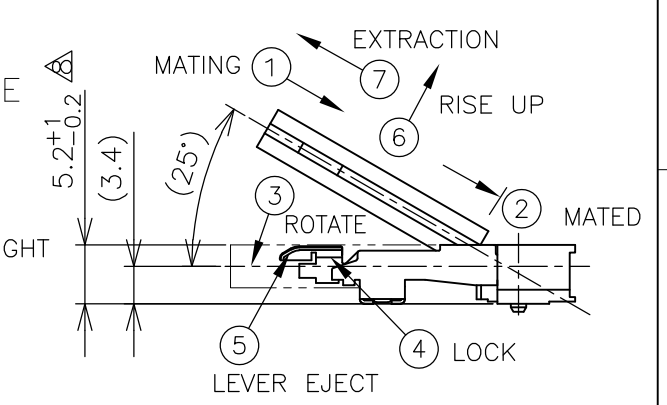
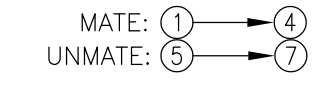


THIS DRAWING IS UNPUBLISHED. RELEASED FOR PUBLICATION NOV. 2001.
 © COPYRIGHT 2001 BY TYCO ELECTRONICS CORPORATION. ALL RIGHTS RESERVED.

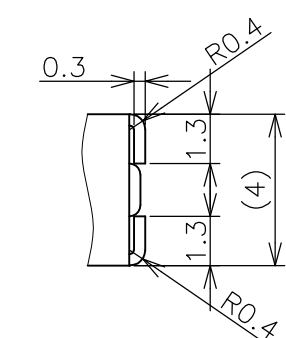
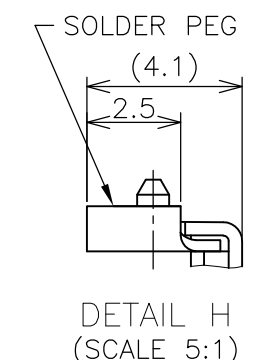
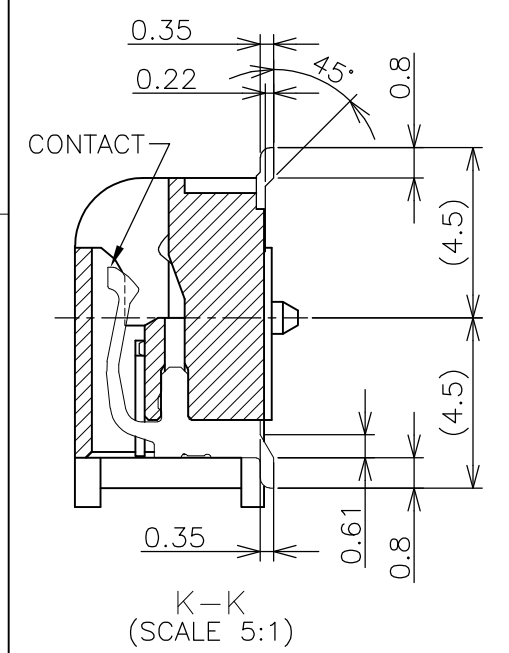
LOC	DIST	REVISIONS					
J		P	LTR	DESCRIPTION	DATE	DWN	APVD
			D1	ECR-10-014669	13JUL10	B.W	S.Y



HOW TO MATE AND UNMATE



- (APPLIED TO SHEET 1-2)
- MATERIAL ; HOUSING: HIGH TEMPERATURE THERMO PLASTIC UL94V-0
 CONTACT: COPPER ARROY
 LOCK LEVER: STAINLESS STEEL
 SOLDER PEG: COPPER ARROY
 - FINISH ; CONTACT AREA: GOLD FLASH ON 0.0013MIN ALL OVER NICKEL.
 SOLDERING AREA: GOLD FLASH PLT.
 SOLDER PEG: TIN PLATING.
 - MECHANICAL KEY POSITION OF CONNECTOR SEE TABLE.
 - TOLERANCES NON-CUMULATIVE.
 - NOT TO SCALE.
 - INSIDE MUST BE RESIST COAT EXCEPT SOLDER PATTERN.
 - COPLANARITY : 0.1 MAX.
 - THE FLOATING VALUE BY SOLDERING IS NOT INCLUDED.
 - NOT MATING CONDITION.
 - IF THE MODULE DOESN'T INSERT AND LOCK IN THE LATCH SMOOTHLY, OPEN WIDE BOTH LATCHES BY MANUAL. AND THE MODULE MUST BE INSERTED AND LOCKED IN THE LATCH.

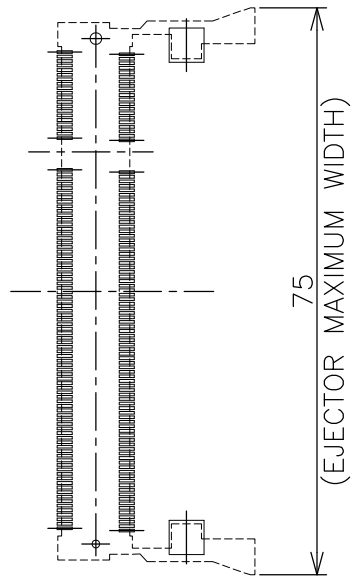


GENERAL TOLERANCE
 10 ≥ : ±0.2
 30 ≥ > 10 : ±0.25
 100 ≥ > 30 : ±0.3
 ANGLES : ±3°

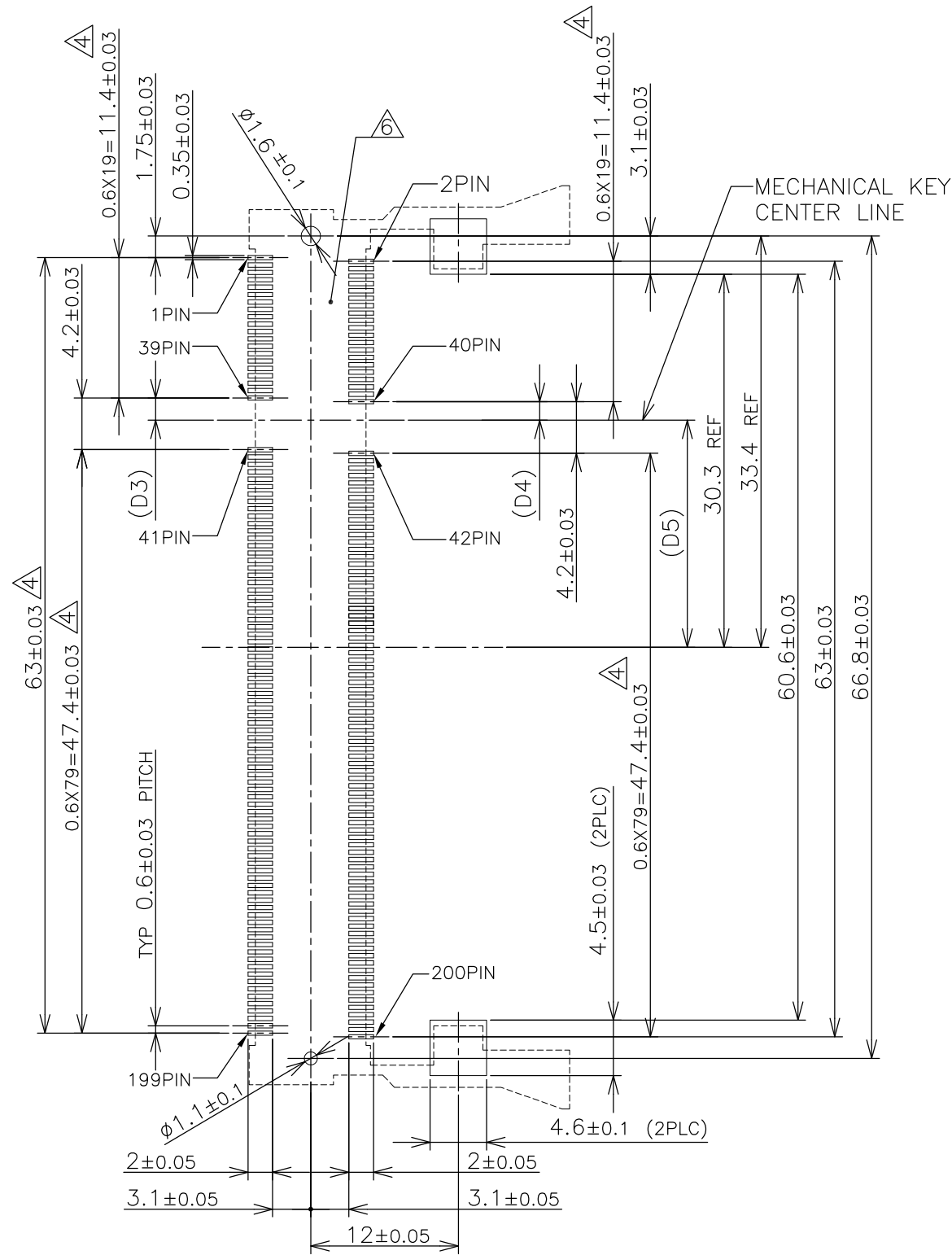
AVAILABLE	—H—	2.5V (DDR1)	18.45	1.5	1.8	200	1612922-1
TOOLING STATUS	REMARK	POWER SUPPLY (TYPE)	D5	D4	D3	POS	PART NO.
THIS DRAWING IS A CONTROLLED DOCUMENT.		DWN B.WONG 16JUL10	Tyco Electronics AMP K.K. Kawasaki, Japan				
DIMENSIONS: MM		CHK C.WANG 16JUL10					
TOLERANCES UNLESS OTHERWISE SPECIFIED:		APVD S.YAO 16JUL10					
0 PLC ± 1 PLC ± 2 PLC ± 3 PLC ± 4 PLC ± ANGLES ± FINISH ±		NAME					
MATERIAL		PRODUCT SPEC 108-5701	DDR1 & DDR2 SODIMM SOCKET 0.6mm PITCH 200POS STANDARD PROFILE STANDARD TYPE				
		APPLICATION SPEC	SIZE	CAGE CODE	DRAWING NO	RESTRICTED TO	
		WEIGHT 4.7g	A3	00779	C-1612922		
		CUSTOMER DRAWING	SCALE 2:1	SHEET 1 OF 4	REV D1		

LOC		DIST		REVISIONS					
J				P	LTR	DESCRIPTION	DATE	DWN	APVD
					-	SEE SHEET 1	-	-	-

REFERENCE P.C. BOARD PATTERN LAYOUT (CONNECTOR MOUNTING SIDE)



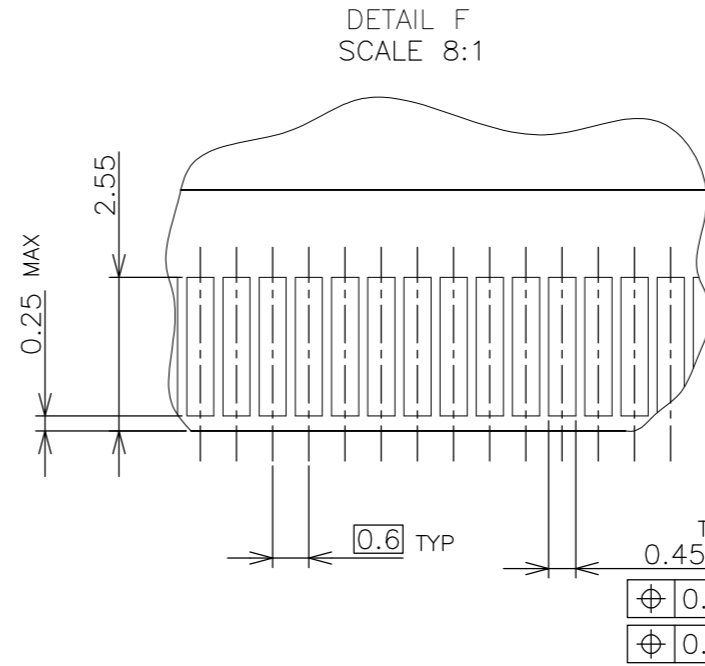
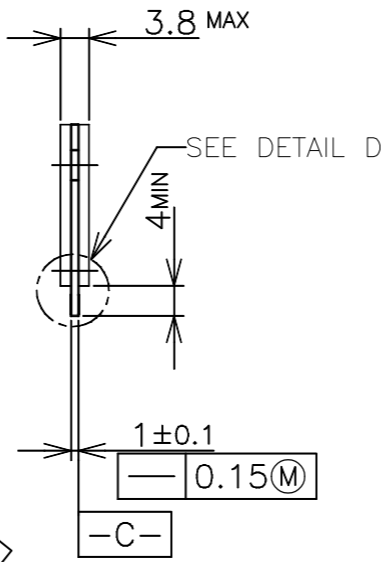
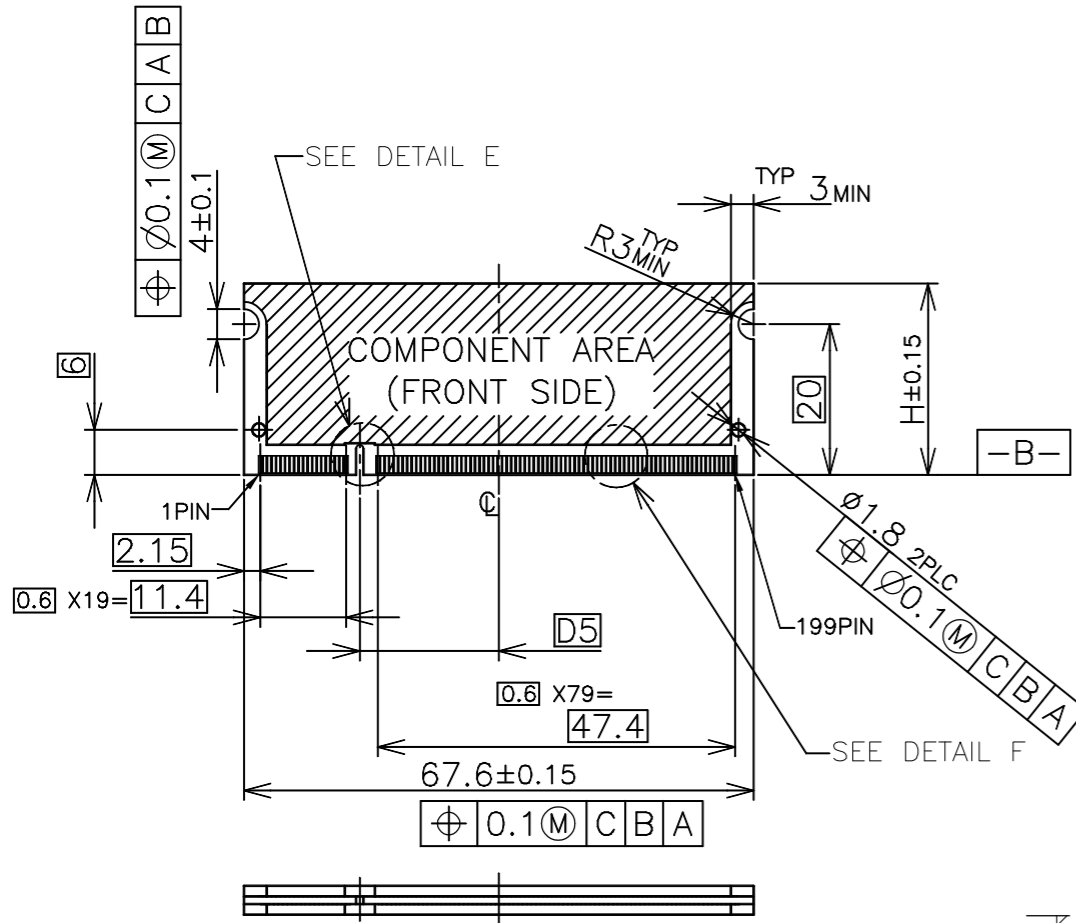
REAL SIZE (SCALE 1:1)



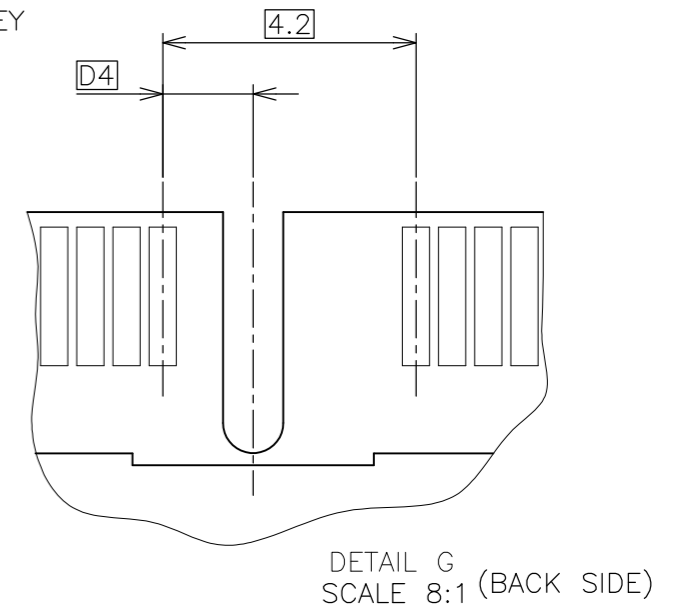
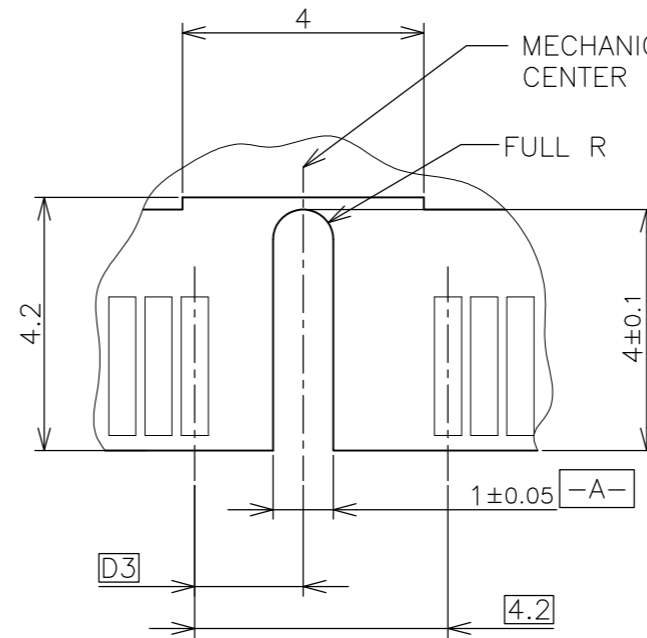
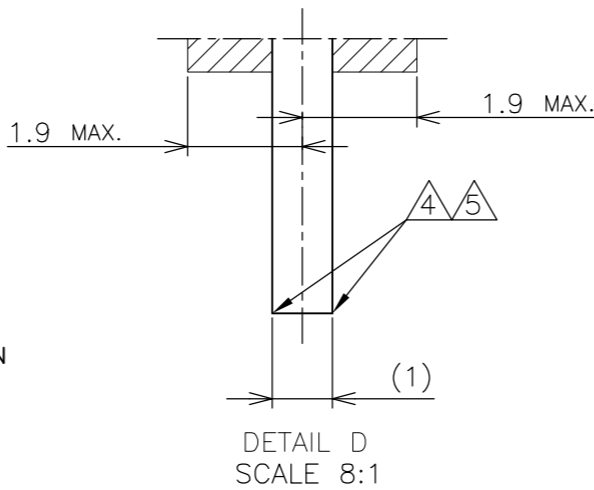
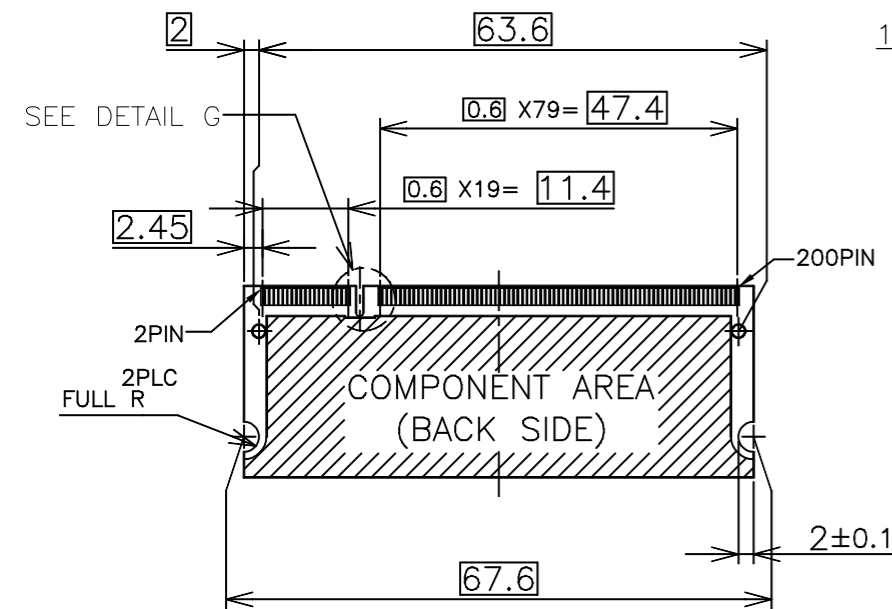
1.8V	17.55	2.4	2.7
2.5V	18.45	1.5	1.8
POWER SUPPLY	D5	D4	D3

THIS DRAWING IS A CONTROLLED DOCUMENT.		DWN		Tyco Electronics AMP K.K. Kawasaki, Japan	
DIMENSIONS: MM		CHK			
TOLERANCES UNLESS OTHERWISE SPECIFIED:		APVD			
0 PLC ± 1 PLC ± 2 PLC ± 3 PLC ± 4 PLC ± ANGLES ± MATERIAL FINISH ±		NAME			
		PRODUCT SPEC		DDR1 & DDR2 SODIMM SOCKET 0.6mm PITCH 200POS STANDARD PROFILE STANDARD TYPE	
MATERIAL		APPLICATION SPEC		SIZE	RESTRICTED TO
		WEIGHT		CAGE CODE	DRAWING NO
		CUSTOMER DRAWING		A3	00779 C-1612922
		SCALE		SHEET	REV
		2:1		2 OF 4	D1

LOC	DIST	REVISIONS				
P	LTR	DESCRIPTION	DATE	DWN	APVD	
J		SEE SHEET 1	-	-	-	



- (APPLIED TO SHEET 3)
1. TOLERANCES ON ALL DIMENSIONS ± 0.15 UNLESS OTHERWISE SPECIFIED.
 2. P.C. BOARD THICKNESS APPLIES ACROSS TABS AND INCLUDES PLATING AND/OR METALIZATION.
 3. FINISH OF PAD : GOLD PLATING 0.00076 MIN. OVER Ni PLATING 0.002MIN.
- △ NO BURR
 ▽ CHAMFER 0.25 MAX x 45° IF EXIST.



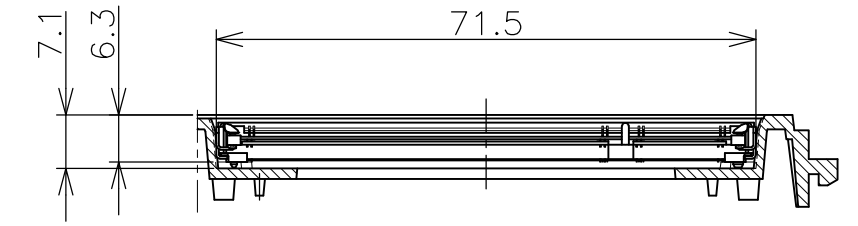
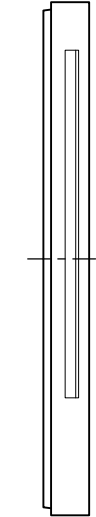
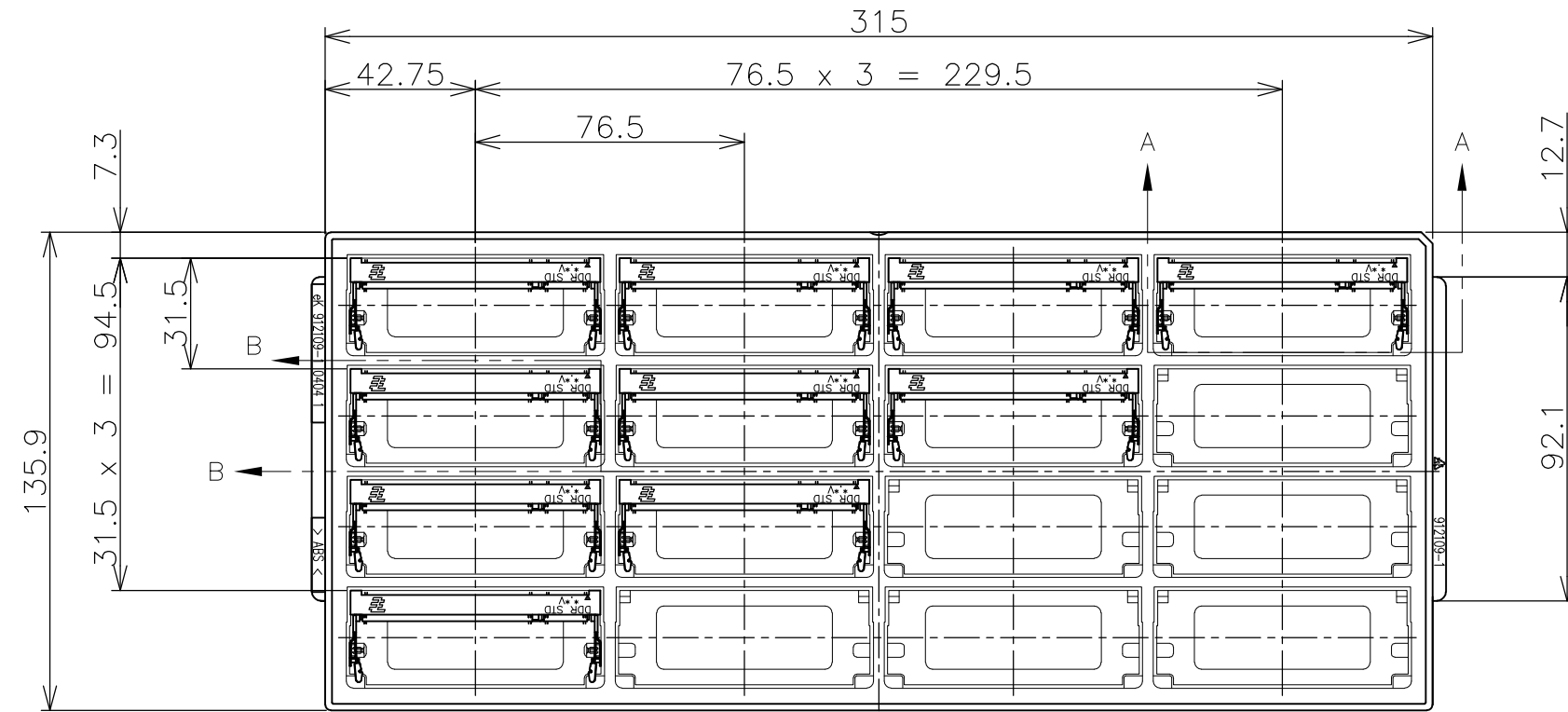
RECOMMENDED MATING P.C.B CONFIGURATION

31.75	1.8V	17.55	2.4	2.7
25.4	2.5V	18.45	1.5	1.8
H	POWER SUPPLY	D5	D4	D3

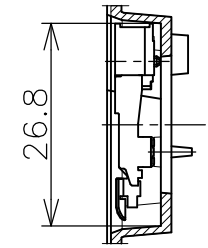
THIS DRAWING IS A CONTROLLED DOCUMENT.		DWN	Tyco Electronics AMP K.K. Kawasaki, Japan		
DIMENSIONS: MM		CHK	NAME		
TOLERANCES UNLESS OTHERWISE SPECIFIED:		APVD	DDR1 & DDR2 SODIMM SOCKET		
0 PLC ±		PRODUCT SPEC	0.6mm PITCH 200POS		
1 PLC ±		APPLICATION SPEC	STANDARD PROFILE STANDARD TYPE		
2 PLC ±		WEIGHT	SIZE	CAGE CODE	DRAWING NO
3 PLC ±		CUSTOMER DRAWING	A3	00779	C-1612922
4 PLC ±			SCALE	SHEET	OF
ANGLES ±			2:1	3	4
FINISH					D1

THIS DRAWING IS UNPUBLISHED. RELEASED FOR PUBLICATION NOV ,2001.
 © COPYRIGHT 2001 BY TYCO ELECTRONICS CORPORATION. ALL RIGHTS RESERVED.

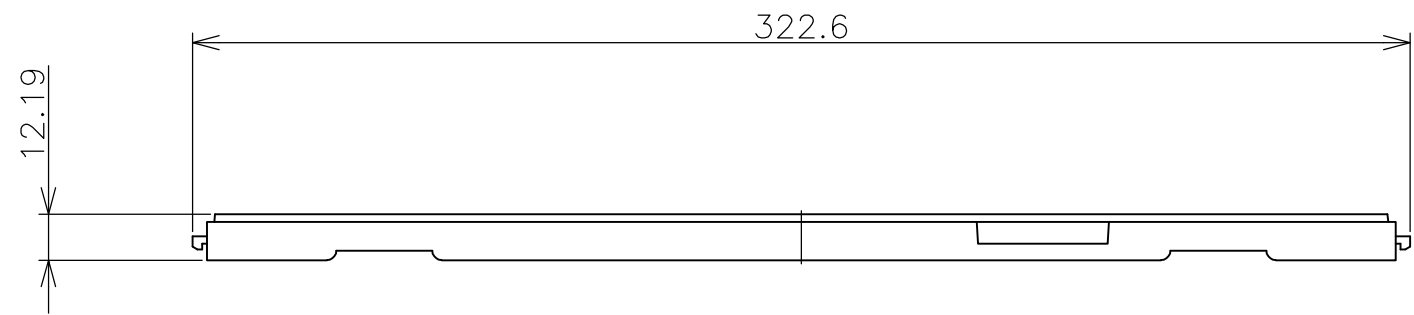
LOC		DIST		REVISIONS				
P	LTR	DESCRIPTION			DATE	DWN	APVD	
	-	SEE SHEET 1			-	-	-	



A-A
SCALE 1:1



B-B
SCALE 1:1



- (APPLIED TO SHEET 4)
1. THE DIRECTION OF EACH CONNECTOR ON A TRAY IS REFERRED TO THIS DRAWING.
 2. GENERAL TOLERANCE: ±0.5

THIS DRAWING IS A CONTROLLED DOCUMENT.		DWN		Tyco Electronics AMP K.K. Kawasaki, Japan	
DIMENSIONS: MM		CHK			
TOLERANCES UNLESS OTHERWISE SPECIFIED:		APVD		NAME	
0 PLC ±		PRODUCT SPEC		DDR1 & DDR2 SODIMM SOCKET	
1 PLC ±		APPLICATION SPEC		0.6mm PITCH 200POS	
2 PLC ±		WEIGHT		STANDARD PROFILE STANDARD TYPE	
3 PLC ±		CUSTOMER DRAWING		SIZE	RESTRICTED TO
4 PLC ±		SCALE 1:2		A3	-
ANGLES ±		SHEET 4 OF 4		CAGE CODE 00779	DRAWING NO. 1612922
FINISH		REV D1		C-1612922	