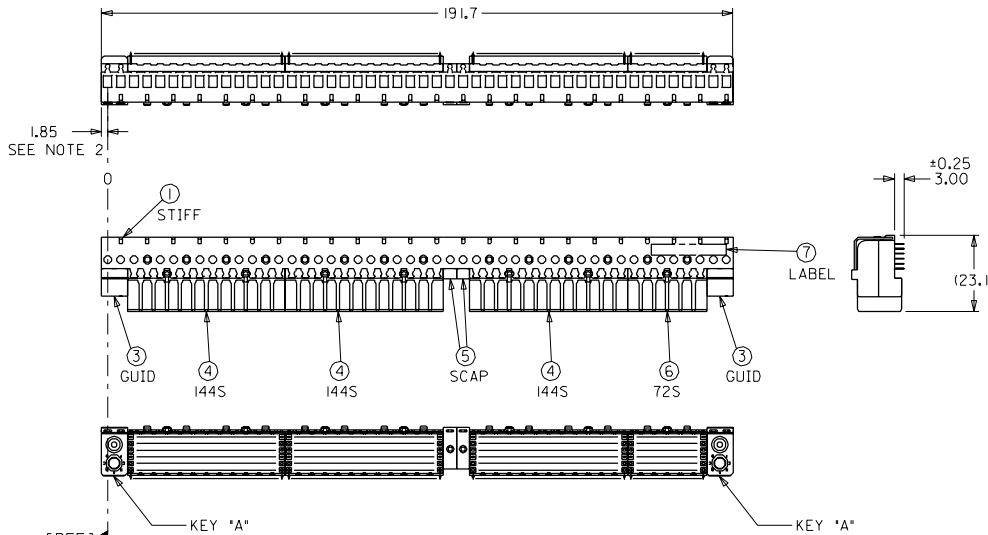
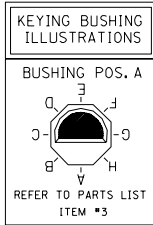


CUSTOMER : IBM-AUSTIN

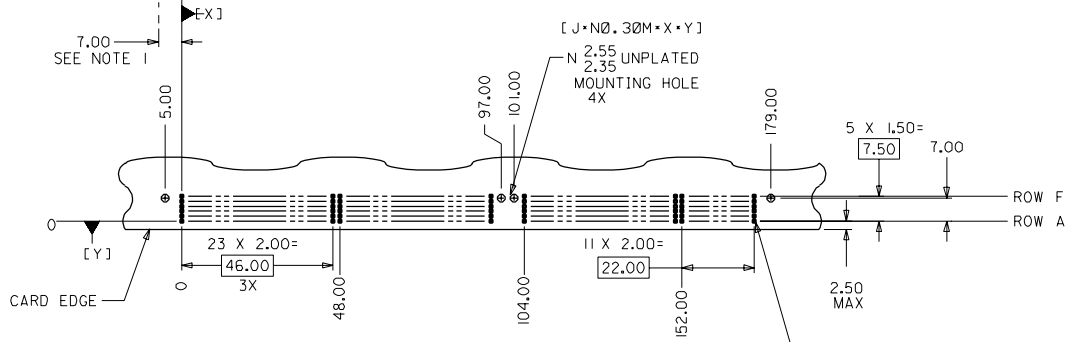
73670

DETAIL "B"
KEYING BUSHING LOCATIONS

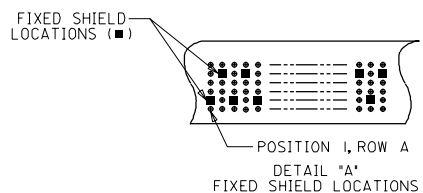


ITEM	QTY	PART NUMBER	DESCRIPTION
1	1	73664-0192	STIFFENER
2	4	73726-0000	MOUNTING SCREW
3	2	73660-0000	GUIDE MODULE
4	3	73632-1020	144 POS. SIGNAL, SHIELDED
5	2	73666-0000	SHORT END CAP
6	1	73632-0020	72 POS. SIGNAL, SHIELDED
7	1	73728-0000	CUSTOM LABEL

NOTES: 1. DISTANCE FROM "REF" PLANE TO FIRST SIGNAL CONTACT.
 2. DISTANCE FROM "REF" PLANE TO LEFT END OF STIFFENER.
 3. DIMENSIONS ARE IN MILLIMETERS.
 4. THIS PRODUCT CONFORMS TO MOLEX PRODUCT SPECIFICATION PS-73670-9999.
 5. NON-TOLERANCED DIMENSIONS ARE BASIC.
 6. PLATING: SELECTIVE GOLD (Au) IN CONTACT AREA, 0.00076mm MIN. THICKNESS, SELECTIVE TIN/LEAD (Pb/Sn) ON PCB TAILS, 0.00254mm MIN. THICKNESS, NICKEL OVERALL.
 7. PACKAGED PER PK-70873-0821.



DAUGHTERCARD HOLE PATTERN AS VIEWED FROM CONNECTOR SIDE



N 0.80 PLATED
0.65
THRU HOLE 504X
N 0.838 DRILL
[J * NØ, 15M * X * Y]
N 1.20 PAD

RELEASED FOR PRODUCTION
UDT1998-0338
BINGHAM 98/06/04

DIMENSIONS SHOWN METRIC (INCH)		▽ = 0	▽ = 0	REVISE ONLY ON CAD SYSTEM
UNLESS OTHERWISE SPECIFIED TOLERANCES: ANGULAR ± 1/2°		TITLE		
3 PLACE ± N/A ---		HDM PLUS DAUGHTERCARD SALES ASSEMBLY		
2 PLACE ± N/A ---		MOLEX INCORPORATED		
1 PLACE --- ± ---		SHEET NO. 1 OF 1 DATE 98/06/04		
DRAFT WHERE APPLICABLE MUST REMAIN WITHIN DIMENSIONS		PART NO. 73670-0140 DRWG. NO. SDA-73670-0140		
DRWG. BY: JPB	CHKD. BY: SMR	FILE NAME: 57367140.DWG	APP'D. BY: CAB	SCALE: 1:1
THIS DRAWING CONTAINS INFORMATION THAT IS PROPRIETARY TO MOLEX INC. AND SHOULD NOT BE USED WITHOUT WRITTEN PERMISSION.		DIV.:	SIZE:	DA C