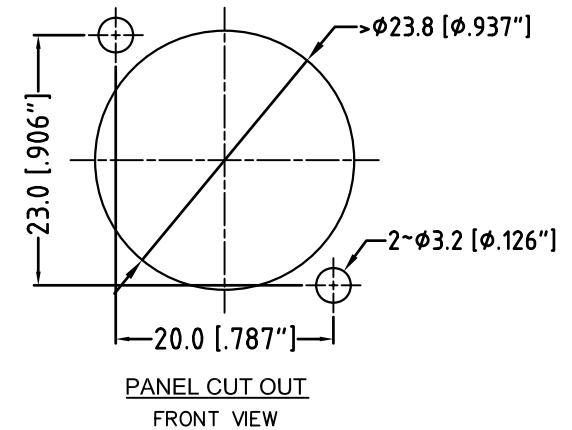
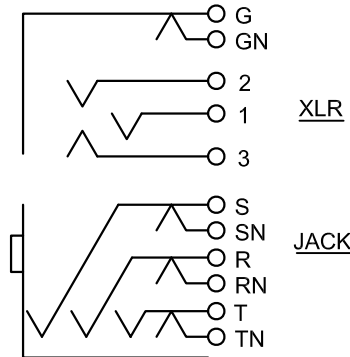


MIN MOUNTING PITCH  
ACTUAL SIZE

CONTACTS SCHEMATIC CHART



UNLESS OTHERWISE SPECIFIED TOLERANCE TO BE		THIS DOCUMENT IS THE PROPERTY OF AMPHENOL AUSTRALIA PTY. LTD. NO PART THEREOF MAY BE REPRODUCED AND USED WITHOUT THE PRIOR WRITTEN CONSENT OF THE OWNER				1	Correct Minimum Mounting Pitch dimension from 14mm to 27mm	M.H	19-03-09	8811
LINEAR	ANGULAR	CAD FILE: 55010440000111 DRN: M.H DATE: 05-10-07				REV.	FIRST ISSUE	M.H	05-10-07	----
X ± 0.5	X° ± 1°					2	CHANGE DETAILS	BY	DATE	CHG/No
X.X ± 0.1	X*X° ± 30'					TITLE: ACJC10S C-TYPE CUSTOMER DRAWING				
X.XX ± 0.05	X*X°X° ± 15'	MATERIAL: REFER TO COMPONENT				DRAWING NO. 55010440-000-1		SHEET 2 OF 2		
BREAK ALL SHARP EDGES AND REMOVE ALL BURRS		FINISH: REFER TO COMPONENT				SCALE: 2:1 UDS		PART No: ACJC10S SIZE: A3		
DO NOT SCALE		THIRD ANGLE PROJECTION				DATE: 19-03-09		Amphenol Australia Pty.Ltd, 2 Fireways Blvd, Keysborough, Vic3173		
DIMENSIONS IN MILLIMETRES		SCALE: 2:1 UDS				DATE: 19-03-09		SHEET 2 OF 2		