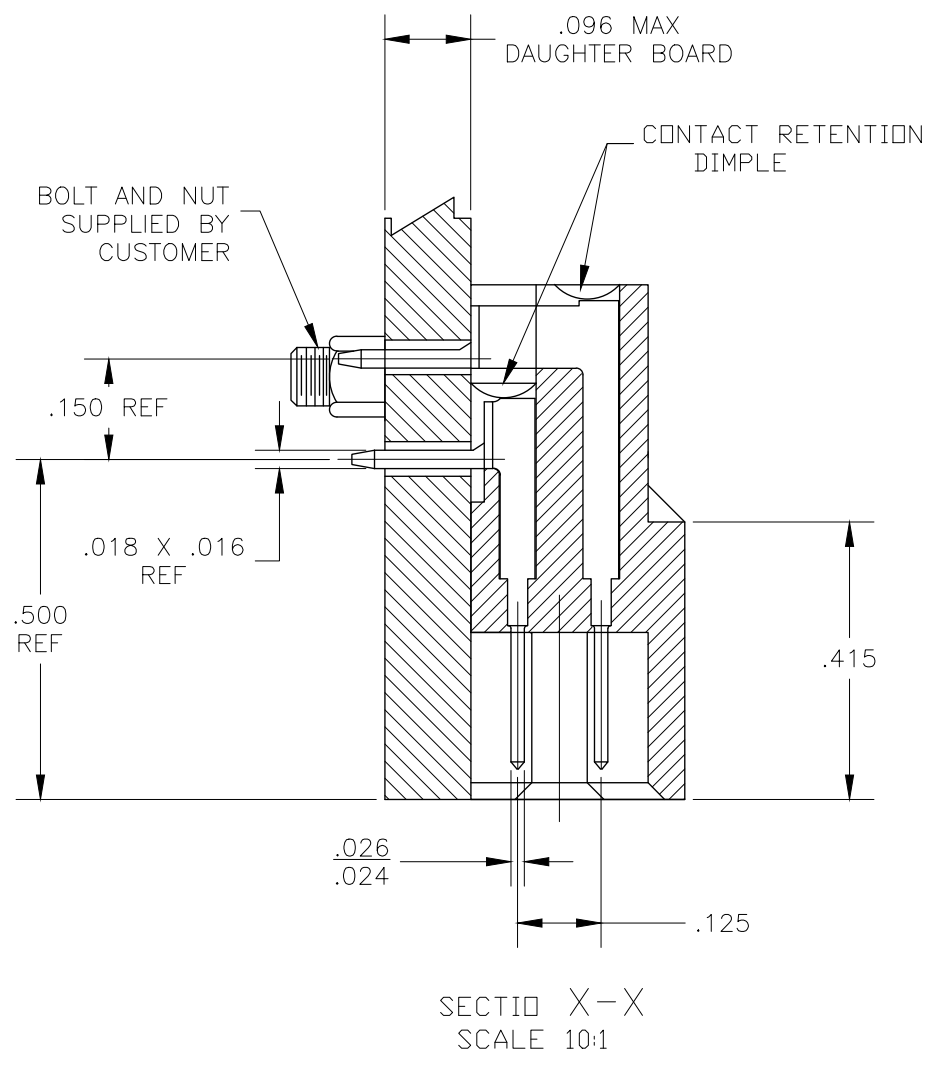
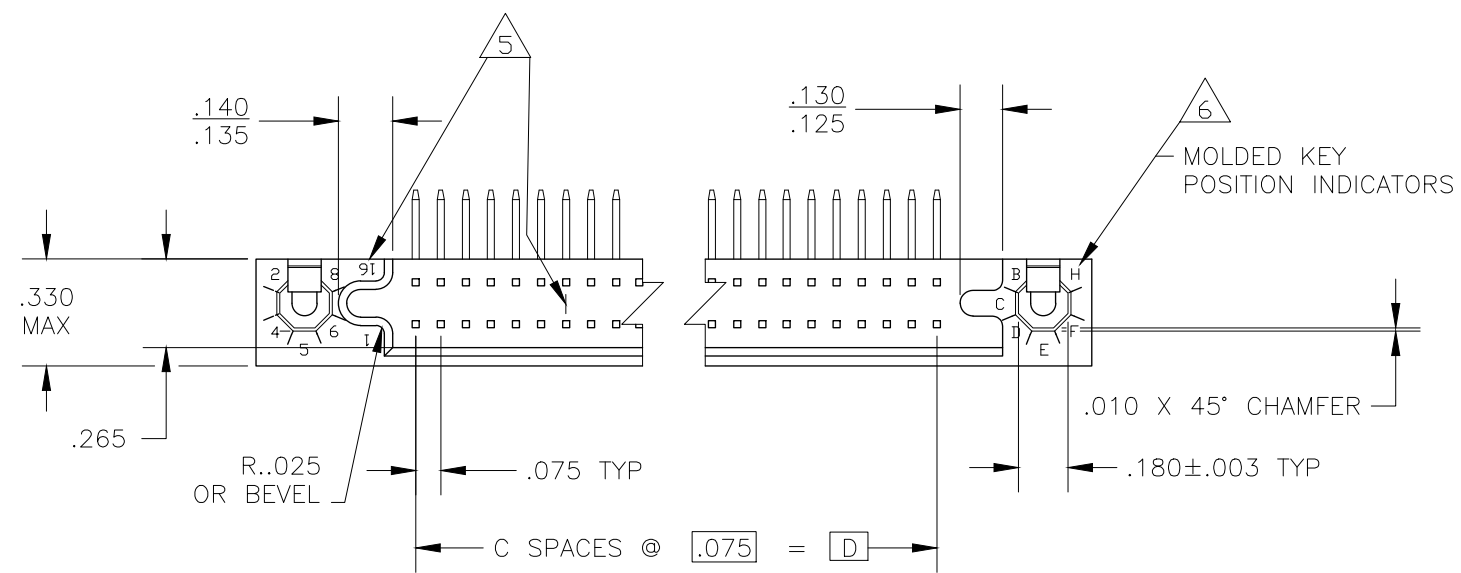
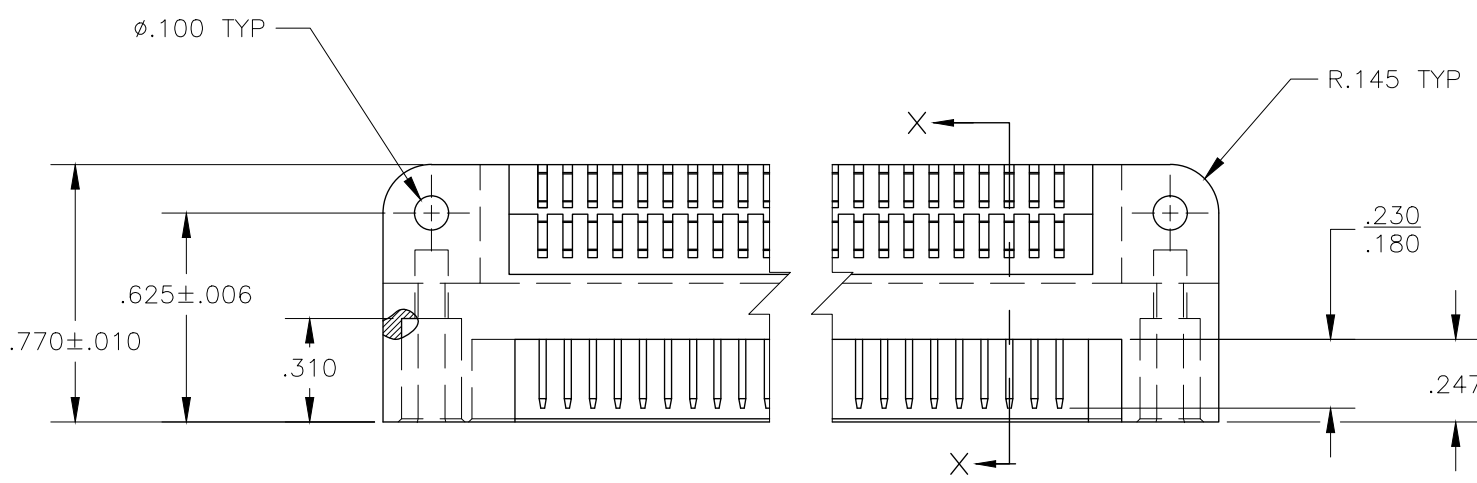
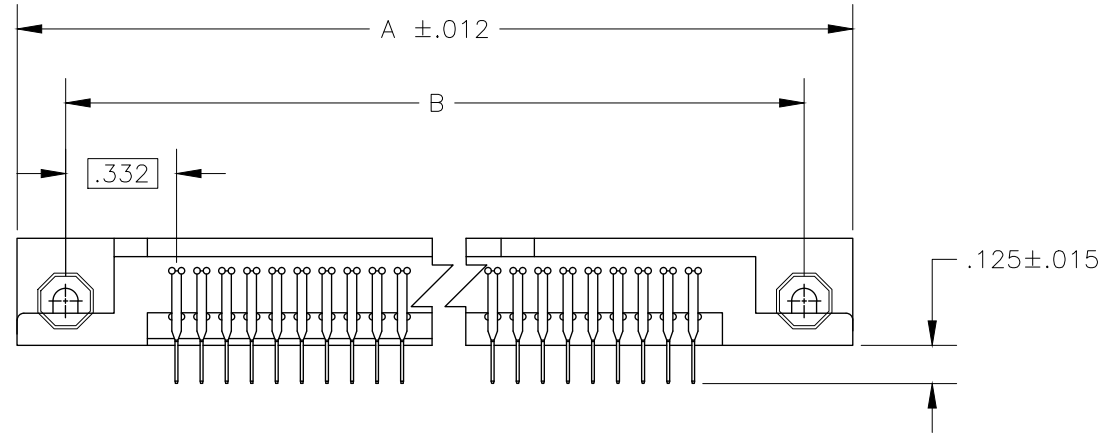


THIS DRAWING IS UNPUBLISHED. RELEASED FOR PUBLICATION  
 © COPYRIGHT - By - ALL RIGHTS RESERVED.

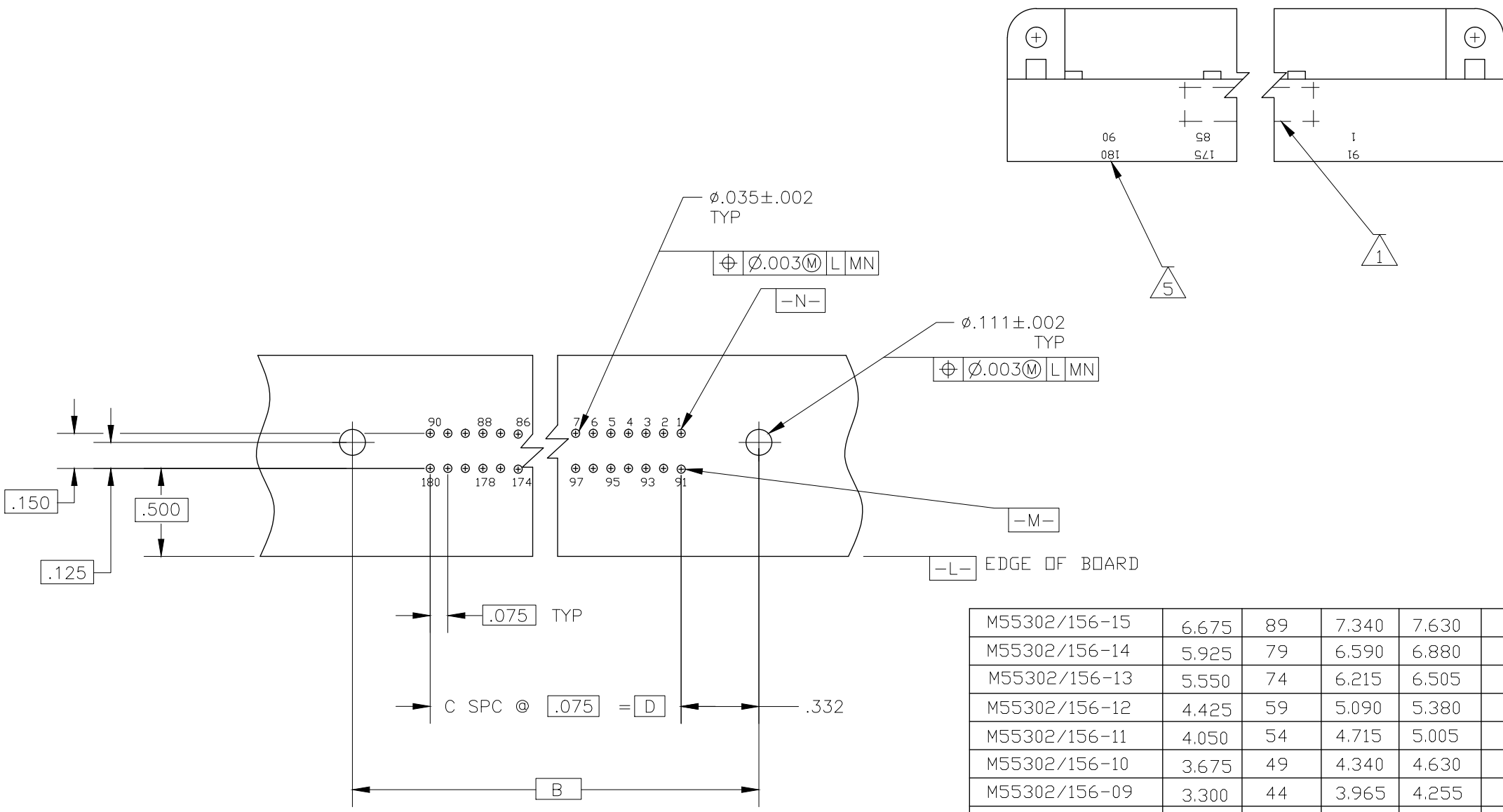
LOC		DIST		REVISIONS			
P	LTR	DESCRIPTION		DATE	DWN	APVD	
DF	X5	D	REVISED PER ECO-15-007393	08JUN15	MGM	CCT	



THIS DRAWING IS A CONTROLLED DOCUMENT.		DWN MANJUNATH G M 08JUN2015	<b>STE</b> TE Connectivity
DIMENSIONS: INCHES		CHK C.C. THOMAS 08JUN2015	
TOLERANCES UNLESS OTHERWISE SPECIFIED:		APVD C.C. THOMAS 08JUN2015	NAME PIN ASSEMBLY, RIGHT ANGLE, 751 SERIES, BOX CONNECTOR
0 PLC ± - 1 PLC ± - 2 PLC ± - 3 PLC ± - 4 PLC ± - ANGLES ± -		PRODUCT SPEC APPLICATION SPEC	SIZE A2
MATERIAL 2/3		FINISH 3	CAGE CODE 00779
		WEIGHT -	DRAWING NO C=531719
		CUSTOMER DRAWING	
		SCALE 4:1	SHEET 1 OF 2
		REV D	

THIS DRAWING IS UNPUBLISHED. RELEASED FOR PUBLICATION  
 © COPYRIGHT - By - ALL RIGHTS RESERVED.

LOC	DIST	REVISIONS					
DF	X5	P	LTR	DESCRIPTION	DATE	DWN	APVD
		-	-	SEE SHEET 1	-	-	-



RECOMMENDED PC BOARD LAYOUT  
(CONNECTOR SIDE)

M55302/156-15	6.675	89	7.340	7.630	180	1-531719-5
M55302/156-14	5.925	79	6.590	6.880	160	1-531719-4
M55302/156-13	5.550	74	6.215	6.505	150	1-531719-3
M55302/156-12	4.425	59	5.090	5.380	120	1-531719-2
M55302/156-11	4.050	54	4.715	5.005	110	1-531719-1
M55302/156-10	3.675	49	4.340	4.630	100	1-531719-0
M55302/156-09	3.300	44	3.965	4.255	90	531719-9
M55302/156-08	2.925	39	3.590	3.880	80	531719-8
M55302/156-07	2.550	34	3.215	3.505	70	531719-7
M55302/156-06	2.175	29	2.840	3.130	60	531719-6
M55302/156-05	1.800	24	2.465	2.755	50	531719-5
M55302/156-04	1.425	19	2.090	2.380	40	531719-4
M55302/156-03	1.050	14	1.715	2.005	30	531719-3
M55302/156-02	.675	9	1.340	1.630	20	531719-2
M55302/156-01	.300	4	.965	1.225	10	531719-1
MILITARY PART NUMBER	D	C	B	A	NO OF POSITIONS	PART NO

- 1 TE, PART NUMBER, MILITARY P/N, DATE CODE, 00779 MARKED THIS AREA.
- 2 HOUSING MATERIAL: GLASS FILLED POLYESTER, COLOR: BLUE.
- 3 CONTACT MATERIAL- BRASS  
FINISH- .000050 GOLD OVER .000050 NICKEL IN CONTACT AREA, TIN-LEAD PLATE OVER NICKEL ON SOLDER SIDE.
- 4 MIL-C-55302 GROUP INSPECTION REQUIRED.
- 5 NUMBERS AND LINES INDICATING EVERY 5 CAVITIES MARKED ON MATING FACE. NUMBERS INDICATING EVERY 5 CAVITIES MARKED ON SIDE.
- 6 KEY POSITION IDENTIFICATION MOLDED ON SURFACE SHOWN.

THIS DRAWING IS A CONTROLLED DOCUMENT.

DWN MANJUNATH G M 08JUN2015	 TE Connectivity PIN ASSEMBLY, RIGHT ANGLE, 751 SERIES, BOX CONNECTOR
CHK C.C. THOMAS 08JUN2015	
APVD C.C. THOMAS 08JUN2015	
PRODUCT SPEC	
APPLICATION SPEC	NAME
MATERIAL	WEIGHT
FINISH	SCALE 4:1
CUSTOMER DRAWING	

SIZE A2 CAGE CODE 00779 DRAWING NO C=531719 RESTRICTED TO -

SHEET 2 OF 2 REV D