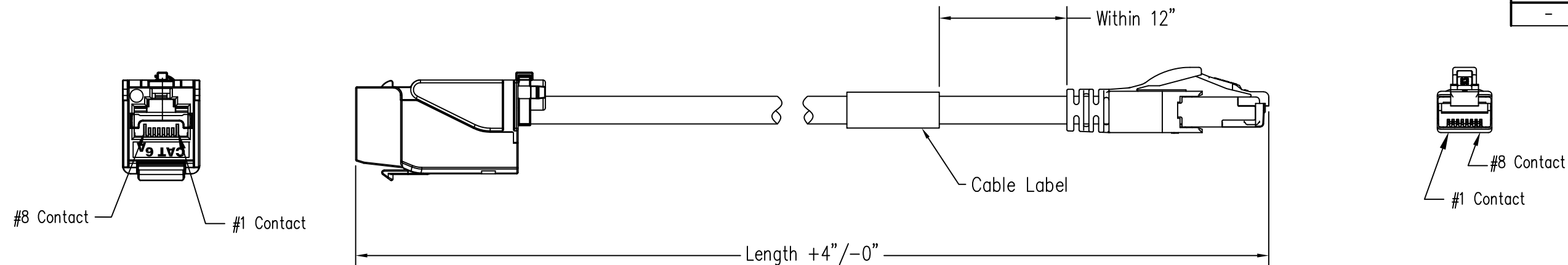


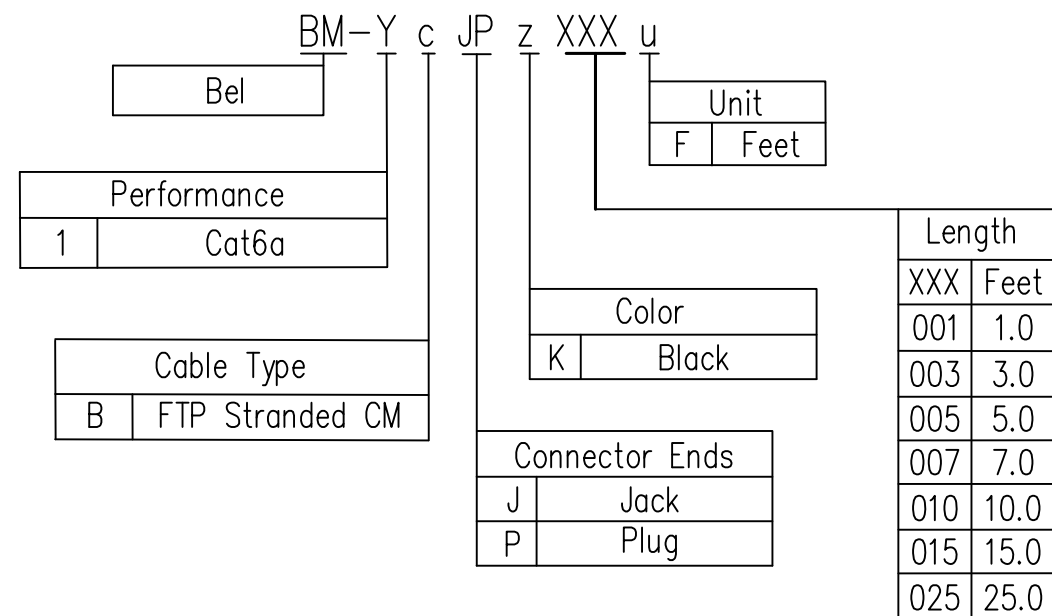
DATE	REV	ECN	APP'D. BY
11/30/20	A0	Released	GWL
-	-	-	-



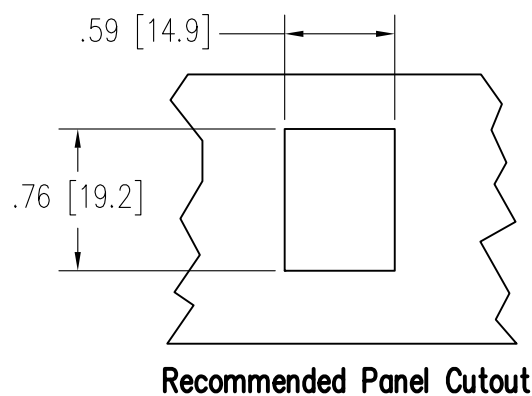
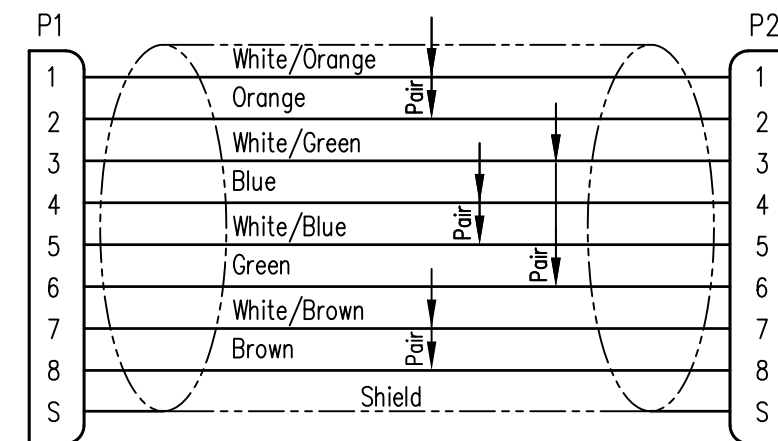
Notes:

- 1) Each cable assembly to be individually bagged.
- 2) 50μ" Gold plating on jack and plug contacts
- 3) Cable Construction:
 - 26AWG Stranded
 - (4) Twisted pairs twisted together with a central spline and wrapped with polyester binder to form a cable core.
 - PVC Jacket
- 4) Slimline Snagless Strain Relief
- 5) 100% Transmission Tested for Performance

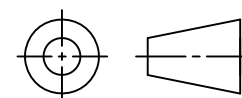
Part Number Structure



Wiring Map: 568B Standard



THIRD ANGLE PROJECTION



206 Van Vorst Street
 Jersey City, NJ 07302
 +1 201 432 0463
<http://www.belfuse.com>

DO NOT SCALE DRAWING
 DRAWING IS SUBJECT TO CHANGE WITHOUT NOTICE

TITLE:
Bel Cable Assembly, CAT 6A Jack To Cat6a plug, FTP Stranded CM

DIMENSIONS: INCHES [METRIC]

THIS DRAWING AND THE SUBJECT MATTER SHOWN THEREON ARE CONFIDENTIAL AND THE PROPRIETARY PROPERTY OF BEL FUSE, INC. AND SHALL NOT BE REPRODUCED, COPIED, OR USED IN ANY MANNER WITHOUT PRIOR WRITTEN CONSENT OF BEL FUSE, INC.

UNLESS OTHERWISE SPECIFIED TOLERANCES ARE ±.005 [0.13] ANGLES ARE ± 1°

DRN BY:	GWL	DATE	11/23/20
APPD BY:	AB	DATE	11/30/20
DWG NO.	CT999234	REV.	A0

SHEET NO. 1 OF 1

