

**Ratings**

Voltage: 300 V  
 Temperature: -40 ~ 80 °C  
 Flammability: FT2

**Conductor**

Conductor count: 6  
 Gauge: 22 AWG 0.33 mm<sup>2</sup>  
 Material: bare copper strands  
 Strand size: Ø 0.127 mm x 26  
 Max resistance at 20 °C: 59.4 Ω /km

**Insulator**

Material: TPE 85A  
 Color: white, black, red, yellow, blue, green  
 Diameter: Ø 1.3 ±0.10 mm  
 Nominal thickness: 0.21 mm  
 Minimum resistance @ 20 °C: 100 MΩ /km

**Shield**

Type: braided  
 Material: bare copper strands  
 Stranding: Ø0.10 mm, 65% minimum coverage

**Drain**

Material: bare copper strands  
 Stranding: Ø0.127 x 26

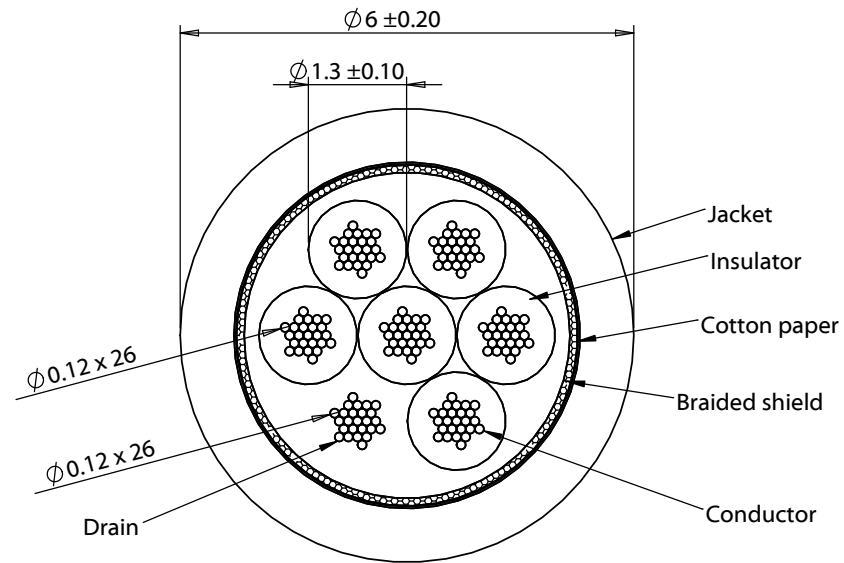
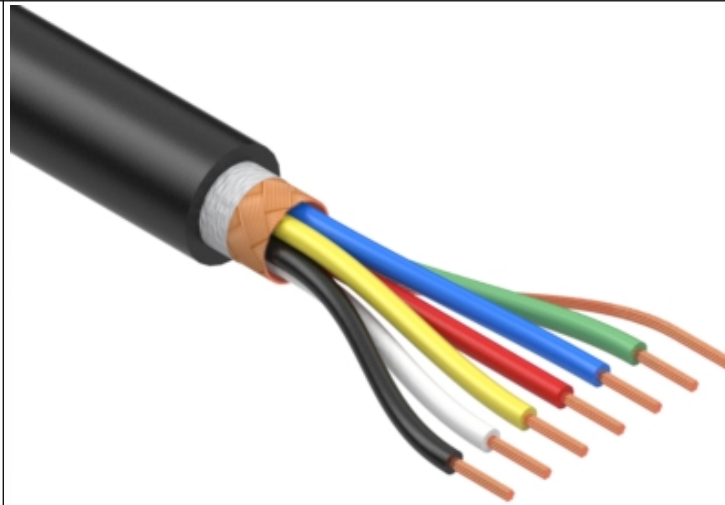
**Outer jacket**

Material: TPU (Polyether Polyurethane) 80A  
 Color: black  
 Diameter: Ø 6 ±0.20 mm  
 Nominal thickness: 0.83 mm

**Wire marking:** E339579 UL AWM STYLE 20280 22 AWG 80°C 300V --- cUL AWM I/II A 80 °C 300V FT2 TENSILITY

**Tests**

Spark test: 3.0 kV  
 Insulation tensile strength: 0.562 kgf/mm<sup>2</sup>  
 Jacket tensile strength: 1.05 kgf/mm<sup>2</sup>  
 After aging at 113 ±2 °C for 7 days:  
     Minimum jacket tensile strength 70 % original  
     Minimum insulation tensile strength 75 % original  
     Minimum jacket elongation 65 % original  
     Minimum insulation elongation 75 % original  
 Heat shock: 121 ±1 °C /1 hour, no observed degradation  
 Deformation: 121 ±1 °C /1 hour, ≤ 50 %  
 Cold bend: -10 ±2 °C /1 hour, no observed cracking  
 Dielectric test: 2000 Vac for 1 minute without breakdown



Revision:	Date:	Description:	Prepared:	Notes:	<h1>TENSILITY</h1> tel 1.541.323.3228 800 877.670.7118 fax 1.541.323.4202 web tensility.com
A	6/12/2019	Initial release	AG <small>Digitally signed by AG Date: 2019.06.12 11:38:21 -0700'</small>		
			Verified:	Phthalate and halogen free	
			JW <small>Digitally signed by JW Date: 2019.06.13 09:20:07 -07'00'</small>	Function: no open, no short circuit, no intermittent	
			Dimensions are in millimeters.	Description:	Size: Part number:
			Tolerances:	Wire, 6C BC, 22 AWG, UL20280, 300V, 80C, 6.0 mm, braided shield, FT2, TPU	A 30-00927
			X: ± 0.5 mm		Scale: 10:1
			X.X: ± 0.3 mm		Sheet 1 of 1
			X.XX: ± 0.05 mm		