



Features

- Support WCDMA 850/900/1900/2100 MHz frequency
- Support GPRS 850/900/1800/1900 MHz frequency
- Intelligent 2G/3G gateway
- Intelligent 3G Remote Terminal Unit function
- Intelligent 3G SMS/Voice alarm controller
- Built-in Watch-dog Function
- Power Reverse Polarity Protection
- Power supply +10 V_{DC} ~ +30 V_{DC}
- Support I/O expansion board



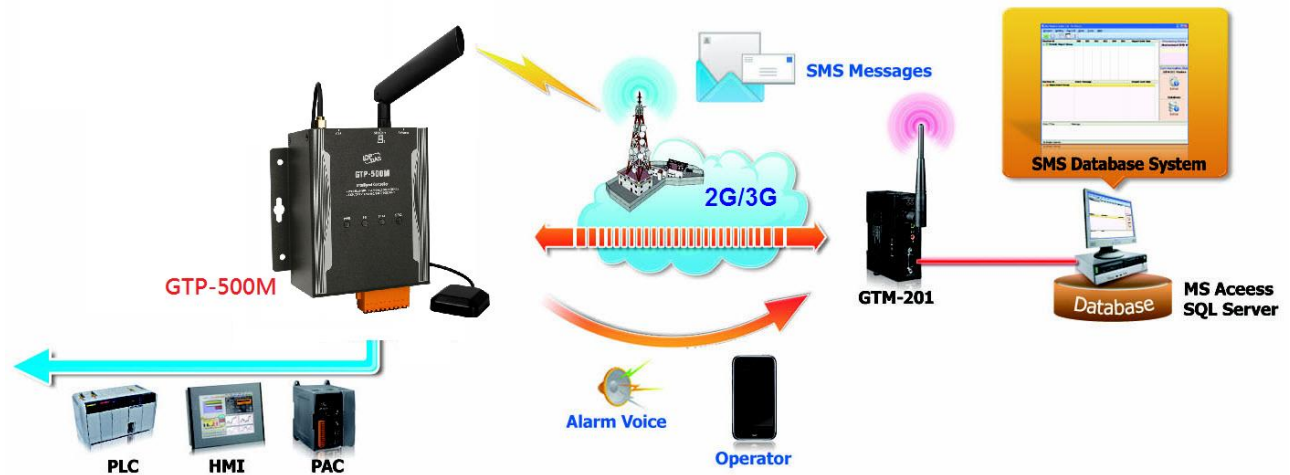
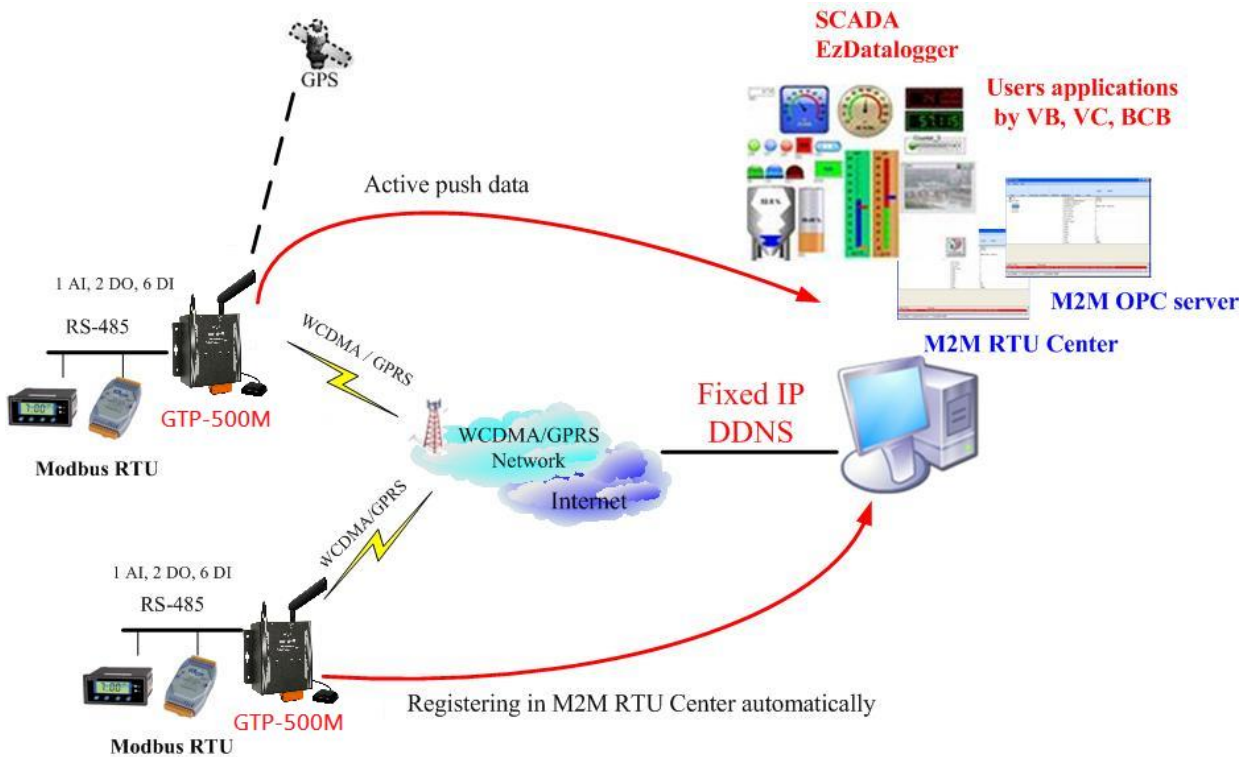
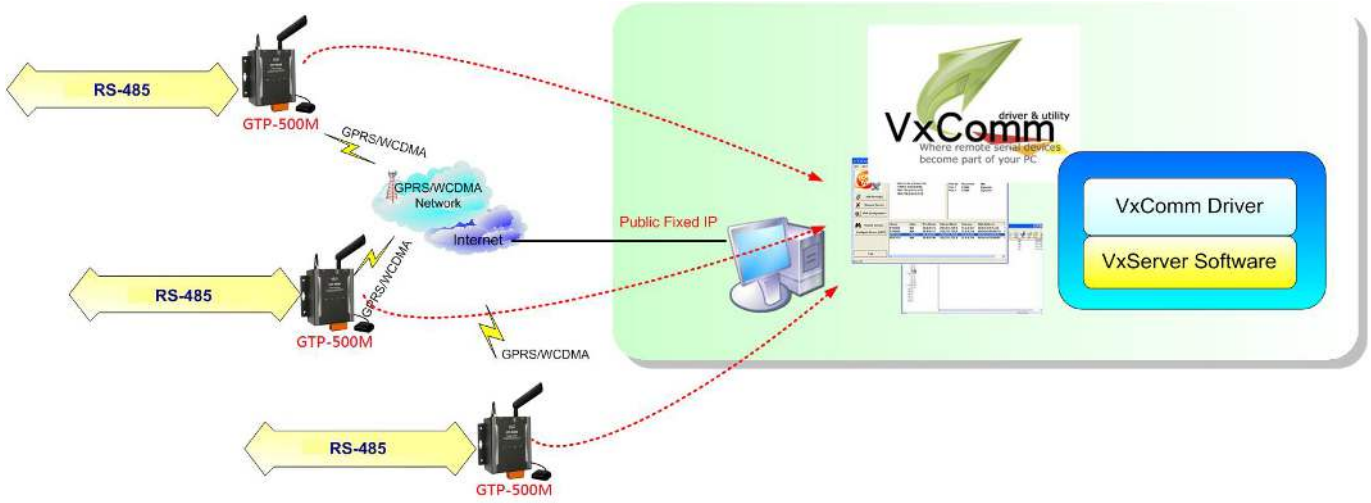
Introduction

The GTP-500M is an intelligent multi-function module, with high cost-effective cost, for industry applications. You can choose different firmware and expansion I/O board for your requirements. Multipoint serial to 2G/3G gateway. It is designed for linking RS-232/485 devices to a GPRS/WCDMA network. The user-friendly Axiom Driver/Utility and VxServer allow users to easily turn the built-in COM ports of the GTP-500M into standard COM ports on a PC. 2G/3G Remote Terminal Unit. It can be used in M2M application fields to transfer the local I/O and Modbus device's data via WCDMA/GPRS by the defined period or DI/AI triggers. 2G/3G SMS and Voice function. It provides the sound alarm application with the pre-defined voice files. In addition, the DTMF function of the GTP-500M is for the applications with the keypad of phones to control the local I/O.

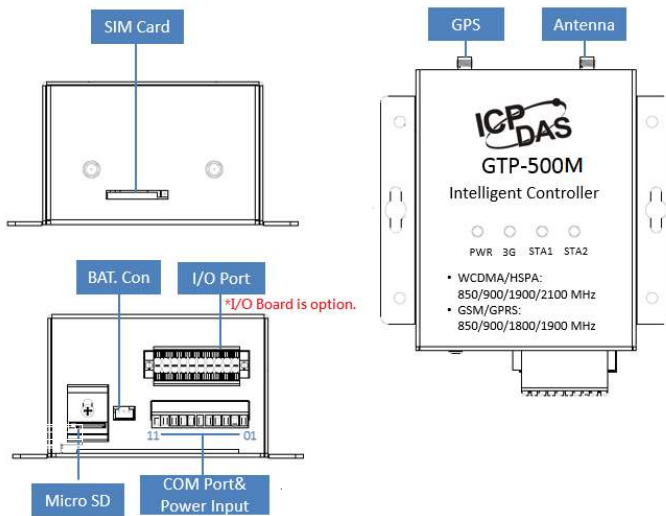
Specifications

System	
CPU	ARM Microprocessor
WDT(watchdog)	Yes
2G system	
Frequency Band	850/900/1800/1900 MHz
Power class	Class 4 (2 W @ 850/900 MHz) Class 1 (1 W @ 1800/1900 MHz)
3G system	
Frequency Band	850/900/1900/2100 MHz
Power class	Class 3(250mW @ WCDMA/HSPA)
Serial ports	
Utility port(COM1)	RS-232: TxD, RxD, GND
COM2	RS-485: D+, D- (use for communication with other devices)
Baud Rate	9600 bps and 115200 bps
Power	
Protection	Reverse polarity protection
Frame Ground Protection	ESD, Surge, EFT, Hi-Pot
Required Supply Voltage	+10 VDC ~ +30 VDC
Mechanical	
Casing	Metal
Dimensions (W x L x H)	117 mm x 137 mm x 58 mm
Installation	DIN-Rail
Environmental	
Operating Temperature	-25 °C ~ +75 °C
Storage Temperature	-30 °C ~ +80 °C
Ambient Relative Humidity	5 ~ 95% RH, non-condensing
Input / Output	
Channel	Options

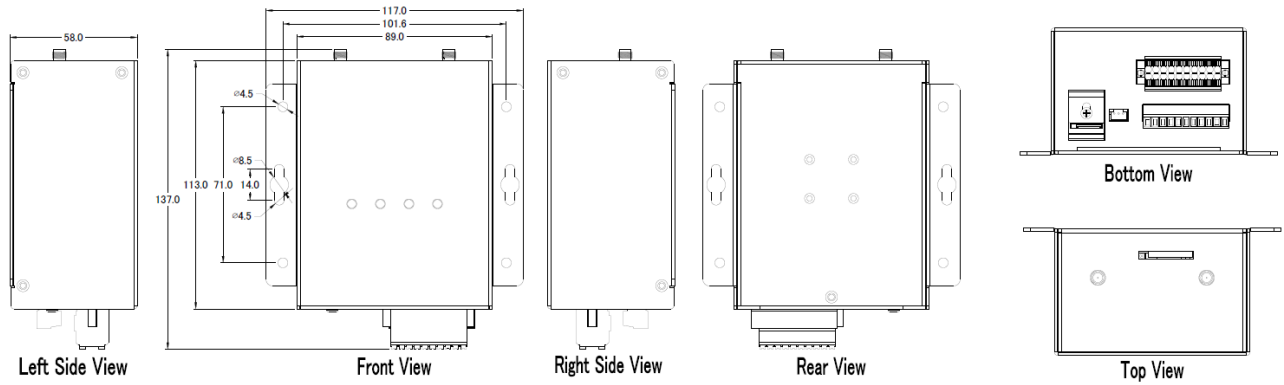
Applications



Appearance



Dimensions (Units: mm)



Ordering Information

GTP-500M	Intelligent 2G/3G multi-function controller
-----------------	---

Accessories

GTP-IO01	I/O expansion board with 6DI · 2DO · 1AI
ANT-421-04	External GPRS/GSM/3G Antenna