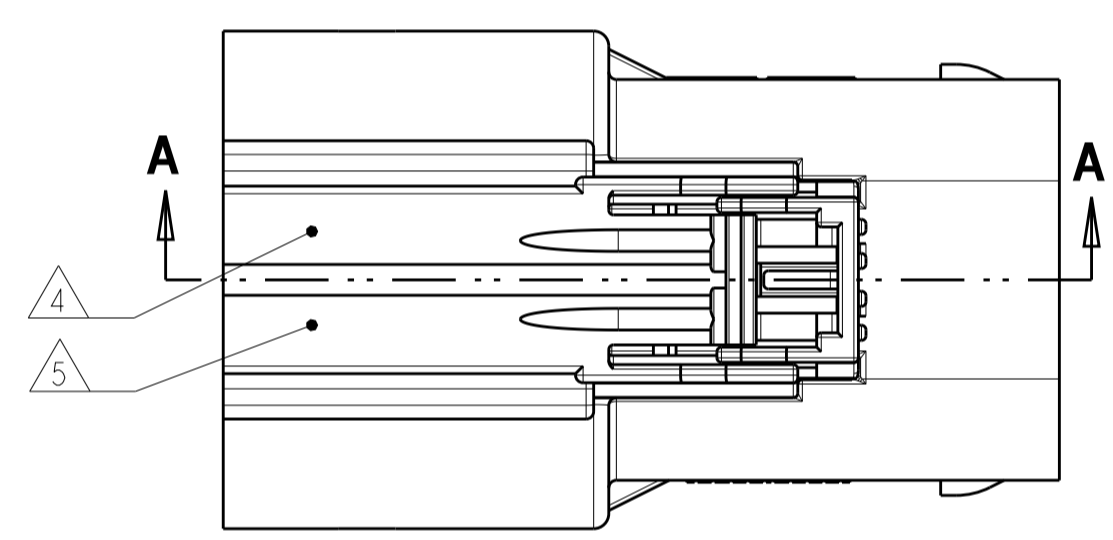
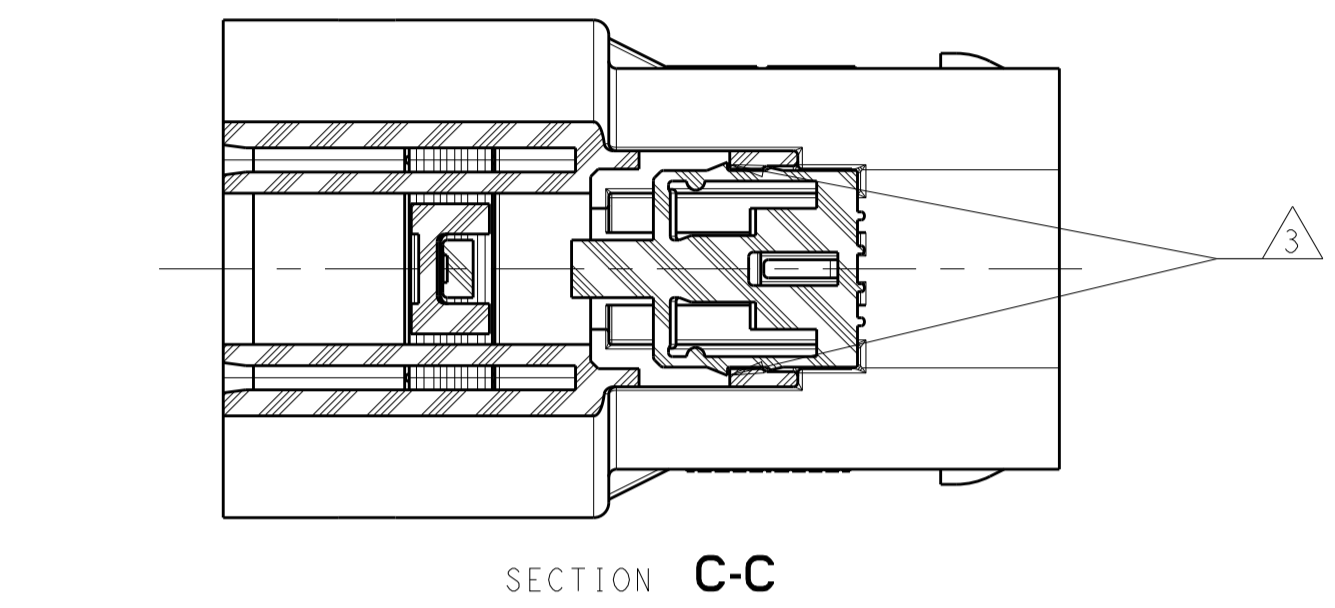
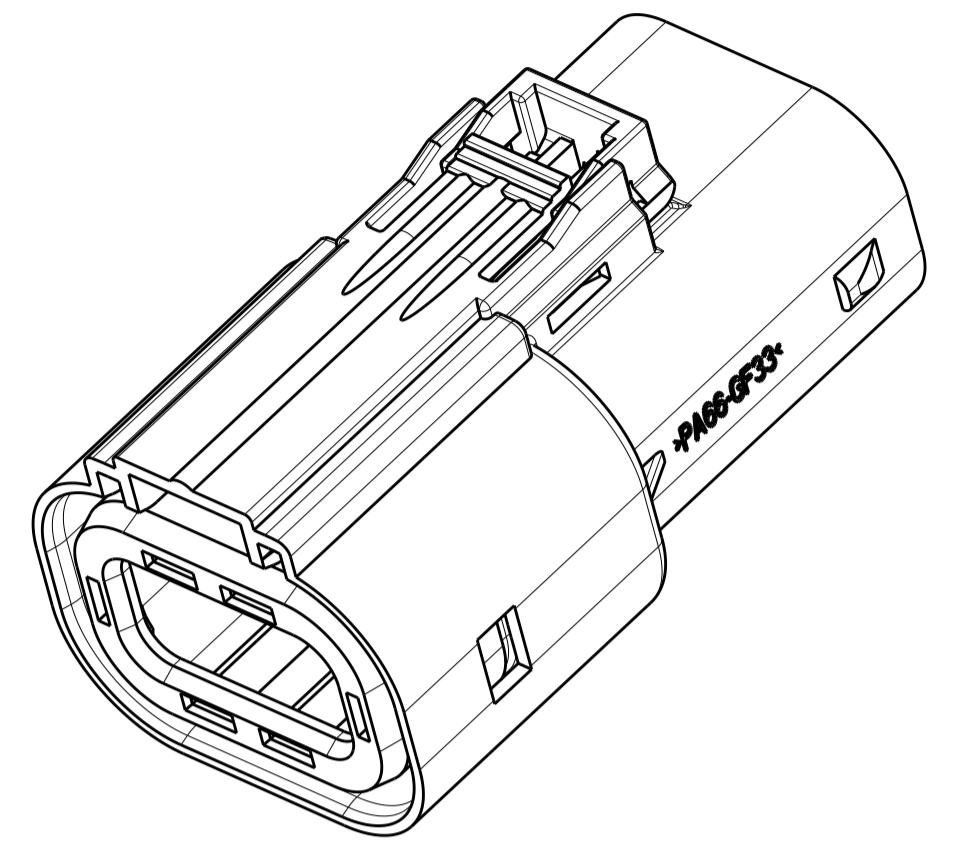
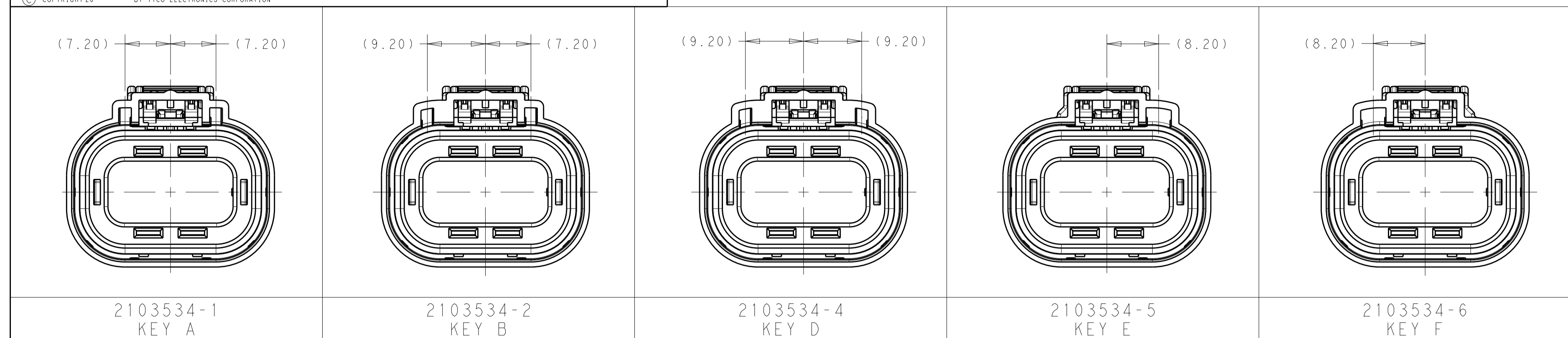
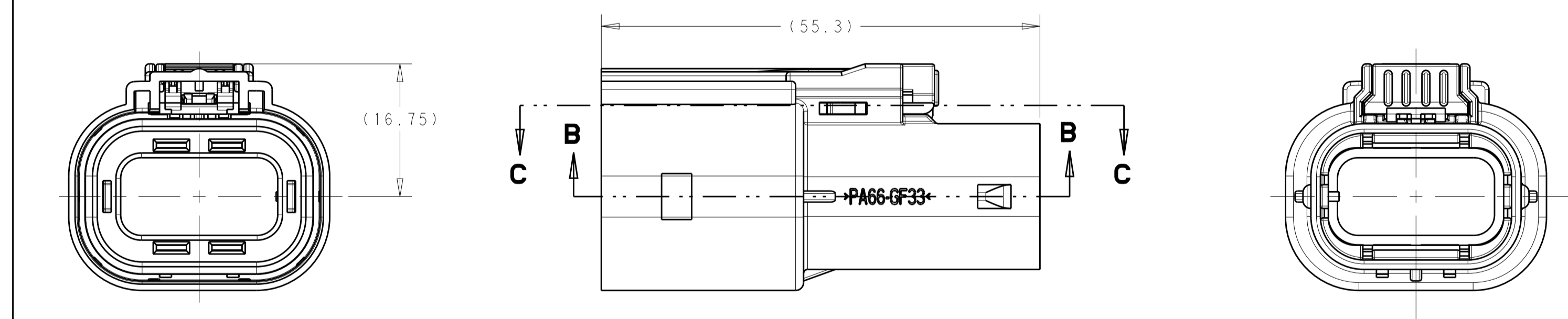


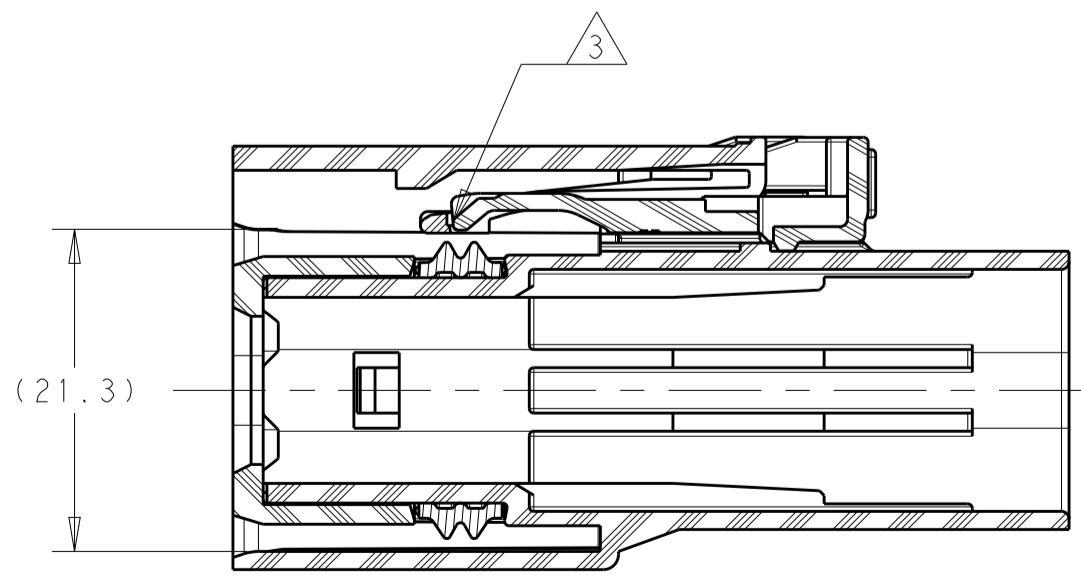
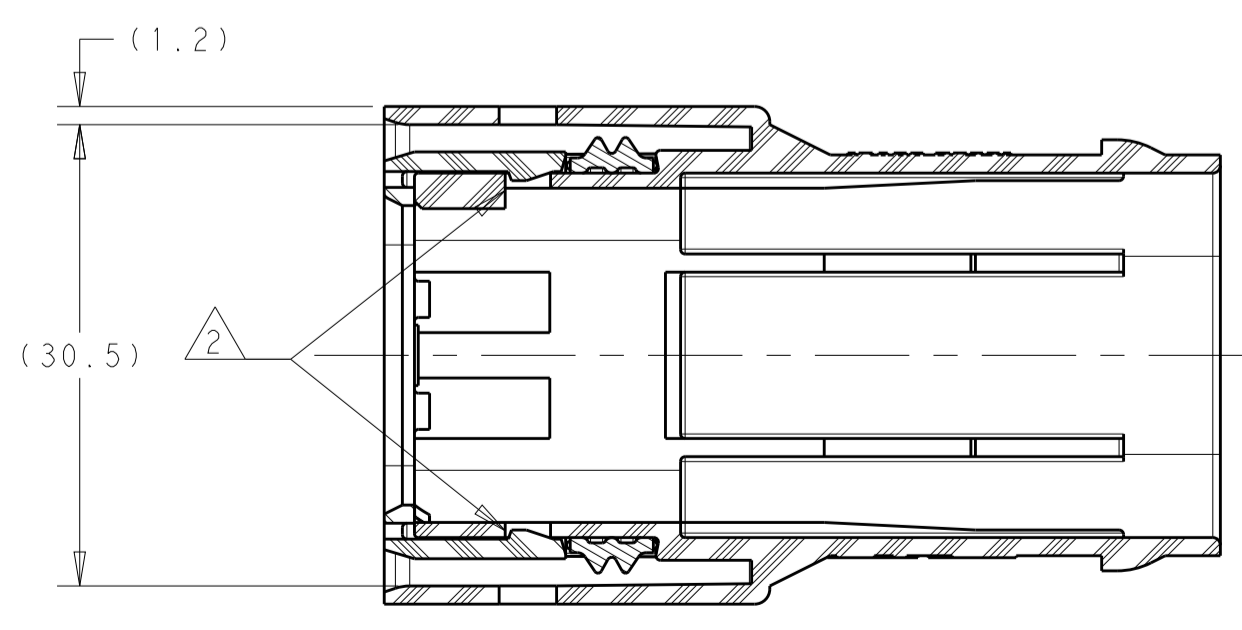
| LOC | | DIST | | REVISIONS | | | |
|-----|-----|---------------|-----------|-----------|------|----|----|
| P | LTN | DESCRIPTION | DATE | DWN | APVD | DR | DR |
| A | | ECO-14-001314 | 27JAN2014 | DR | | | |



- 1. CONNECTOR MUST BE FREE OF ANY MECHANICAL DEFECTS WHICH COULD NEGATIVELY AFFECT FIT, FUNCTION, OR PERFORMANCE
- 2. PERIPHERAL SEAL RETAINER MUST BE FULLY LOCKED IN TWO LOCATIONS INTO OUTER HOUSING
- 3. CPA MUST BE INSTALLED IN PRE-STAGE POSITION AS SHOWN
- 4. JULIAN DATE CODE IN THIS LOCATION AT ASSEMBLY
- 5. TE PART NUMBER IN THIS LOCATION AT ASSEMBLY (VARIABLE)



2103534-1 SHOWN



| INDEX CODE | WEIGHT | PART NO |
|------------|---------|-----------|
| F | 14.39 g | 2103534-6 |
| E | 14.30 g | 2103534-5 |
| D | 14.64 g | 2103534-4 |
| B | 14.62 g | 2103534-2 |
| A | 14.48 g | 2103534-1 |

THIS DRAWING IS A CONTROLLED DOCUMENT.

DWN: D. RHEIN 04SEP2013
 CHK: D. RHEIN 04SEP2013
 APVD: A. GUANCO 04SEP2013

STE TE Connectivity

NAME: PLUG SUB-ASSEMBLY HVA280

SIZE: A1 CAGE CODE: 100779 DRAWING NO: 2103534

RESTRICTED TO: -

MATERIAL: CUSTOMER DRAWING

SCALE: 2:1 SHEET 1 OF 1 REV A