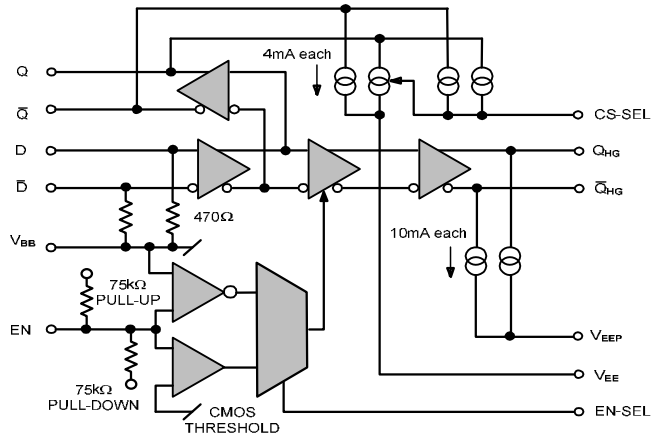


FEATURES

- Minimizes External Components
- Selectable Enable Polarity and Threshold (CMOS or PECL)
- High Bandwidth for $\geq 1\text{GHz}$
- Similar Operation as CTS100EL16
- -147 dBc/Hz Typical Noise Floor

BLOCK DIAGRAM



DESCRIPTION

The CTSLVEL16VR is a specialized oscillator gain stage with a high gain output buffer including an enable function. The Q_{HG}/\bar{Q}_{HG} outputs have voltage gain several times greater than the Q/\bar{Q} outputs. It provides a selectable Q_{HG}/\bar{Q}_{HG} enable that allows continuous oscillator operation via the Q/\bar{Q} outputs.

The CTSLVEL16VR provides adjustable internal pull-down current sources for the Q/\bar{Q} outputs and optional 10mA current sources for the Q_{HG}/\bar{Q}_{HG} outputs. Internal input biasing further reduces the number of needed external components.

ENGINEERING NOTES

Functionality of MLP16 Package (CTSLVEL16VRNLG)

The CTSLVEL16VRNLG provides a selectable Q_{HG}/\bar{Q}_{HG} enable that allows continuous oscillator operation via the Q/\bar{Q} outputs. Table 1 shows the operating modes. Leaving EN-SEL open (NC) selects PECL/ECL operation for the EN pad/pin. In this mode the Q_{HG}/\bar{Q}_{HG} outputs are enabled when EN is left open (NC) or set to a PECL/ECL low.

Connecting EN-SEL to V_{CC} , V_{EE} or V_{BB} selects CMOS operation for the EN pad/pin. When EN-SEL is tied to V_{EE} , the Q_{HG}/\bar{Q}_{HG} outputs are disabled when EN is left open (NC). When EN-SEL is tied to V_{CC} or V_{BB} , the Q_{HG}/\bar{Q}_{HG} outputs are enabled when EN is left open. This default logic condition can be overridden by a $\leq 20k\Omega$ resistor connected to the opposite supply.

The CTSLVEL16VRNLG also provides a V_{BB} and 470Ω internal bias resistors from D to V_{BB} and \bar{D} to V_{BB} . The V_{BB} pin supports 1.5mA sink/source current. V_{BB} should be bypassed to ground or V_{CC} with a $0.01 \mu\text{F}$ capacitor.

Outputs Q/\bar{Q} each have a selectable on-chip pull-down current source. See Table 2 for the supported values. External resistors may also be used to increase pull-down current to a maximum total of 25mA for the Q/\bar{Q} outputs.

Each of the Q_{HG}/\bar{Q}_{HG} outputs has an optional on-chip pull-down current source of 10mA. When pad/pin V_{EEP} is left open (NC), the output current sources are disabled and the Q_{HG}/\bar{Q}_{HG} operate as standard PECL/ECL. When V_{EEP} is connected to V_{EE} , the current sources are activated. The Q_{HG}/\bar{Q}_{HG} pull-down current can be decreased by using a resistor between V_{EEP} and V_{EE} .

Table 1 - Enable Truth Table

EN-SEL	EN	Q/Q̄	Q _{HG}	Q̄ _{HG}
NC	PECL Low, V _{EE} or NC	Data	Data	Data
	PECL High or V _{CC}	Data	Low	High
V _{EE} ¹	CMOS Low, V _{EE} or NC	Data	Low	High
	CMOS High or V _{CC}	Data	Data	Data
V _{CC} or V _{BB} ^{1,2}	CMOS Low or V _{EE}	Data	Low	High
	CMOS High, V _{CC} or NC	Data	Data	Data

¹ EN-SEL connections must be ≤1Ω.

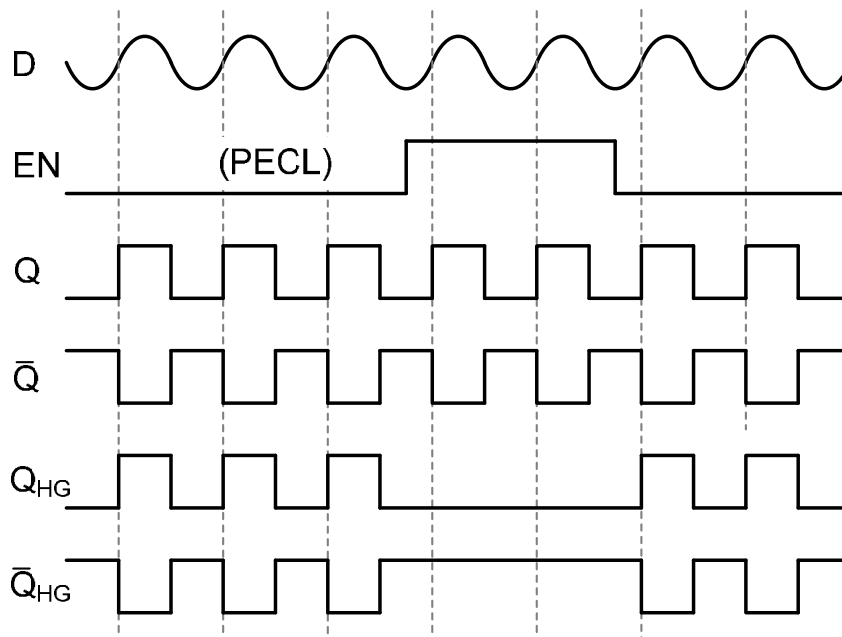
² Date codes prior to 0428 do not support this operating mode.

Table 2 - Current Source Truth Table

CS-SEL	Q	Q̄
NC	4mA typ	4mA typ
V _{EE} ¹	8mA typ	8mA typ
V _{CC} ¹	0	4mA typ

¹ Connection must be less than 1Ω.

Figure below illustrates the timing sequences for the CTSLVEL16VRNLG in the MLP 16 package. It is shown here with the enable operating in active Low mode with a PECL threshold. This mode is determined by leaving the EN-SEL open (NC). An active High enable with a CMOS/TTL threshold is also an option.

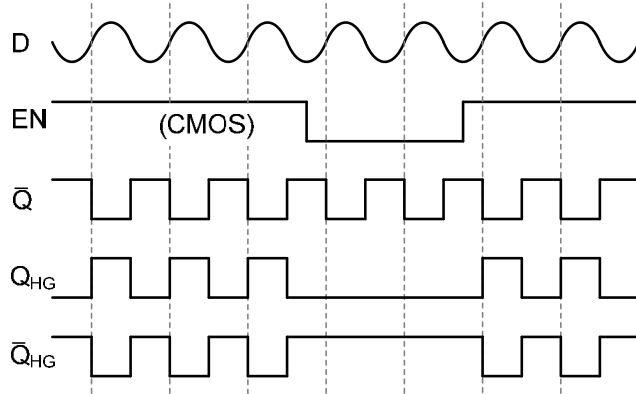


CTSLVEL16VRNLG Timing Diagram

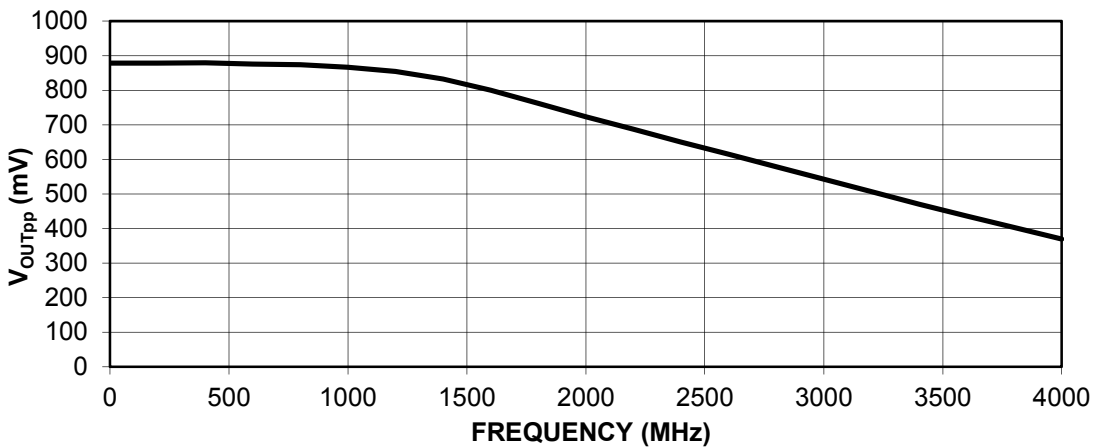
Functionality MLP8 Package (CTSLVEL16VRNNG)

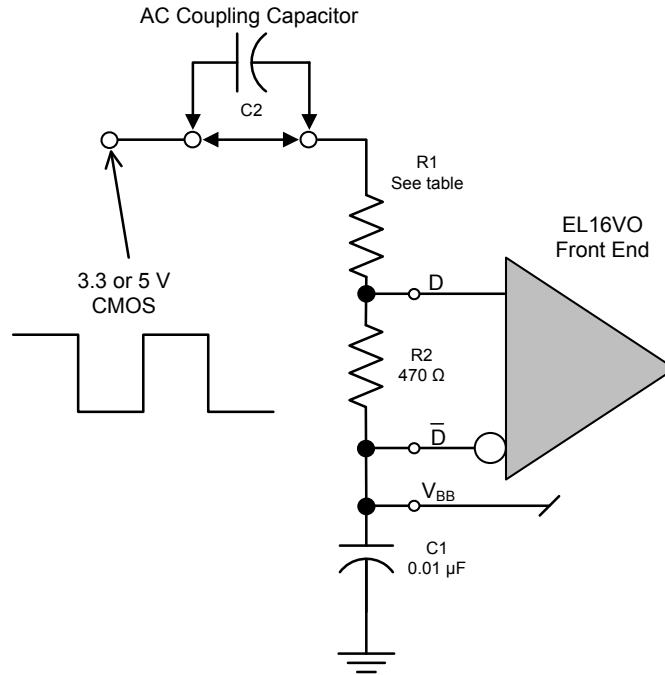
A CMOS enable input (EN) allows continuous oscillator operation. When the EN input is HIGH or left open (NC), the \bar{Q} and Q_{HG}/\bar{Q}_{HG} outputs follow the data input. When EN is LOW, the Q_{HG} output is forced high and the \bar{Q}_{HG} output is forced low while \bar{Q} continues to follow the data input. The \bar{Q} output has an internal 4 mA current source to V_{EE} , in most cases eliminating the need for an external pull-down resistor.

The CTSLVEL16VRNNG also provides biasing. Data input D is tied to the VBB pin through a 470Ω internal bias resistor while the inverting input \bar{D} is connected directly to V_{BB} . The V_{BB} pin supports 1.5mA sink/source current. V_{BB} should be bypassed to ground with a 0.01 μF capacitor.



CTSLVEL16VRNNG Timing





Application Circuit for CMOS Inputs

Recommended Component Values for CMOS Single Ended Inputs

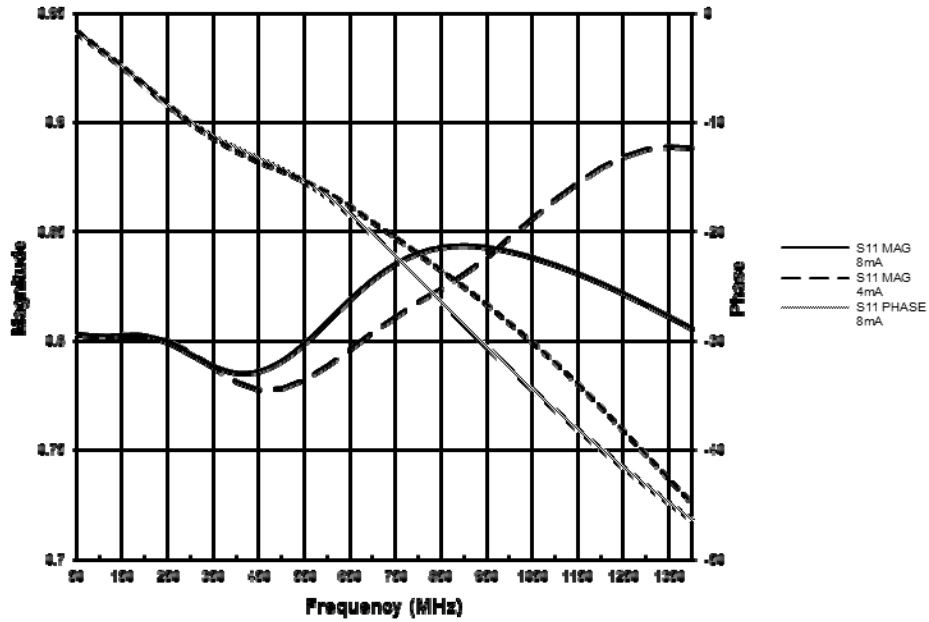
Input Type	R1 ¹ Value	
	AC Coupled (C2 in circuit)	DC Coupled (C2 shorted)
3.3V CMOS	1.1 kΩ	2.0 kΩ
5.0V CMOS	1.6 kΩ	3.3 kΩ

¹ R1 should be chosen so that the input swing on the D input with respect to \bar{D} is in the range of ± 80 to ± 1000 mV, per the AC Characteristics table and the D input is $< \pm 750$ mV with respect to V_{BB} .

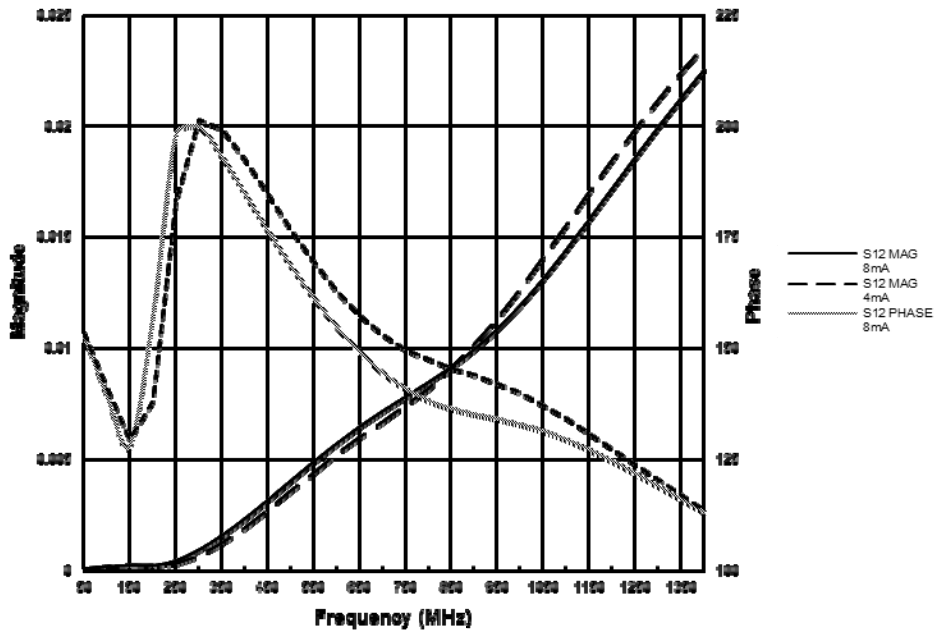
CTSLVEL16VR

PECL/ECL Oscillator Gain Stage & Buffer with Selectable Enable

MLP8, MLP16



S11 50Ω external AC, 4 & 8mA internal DC load

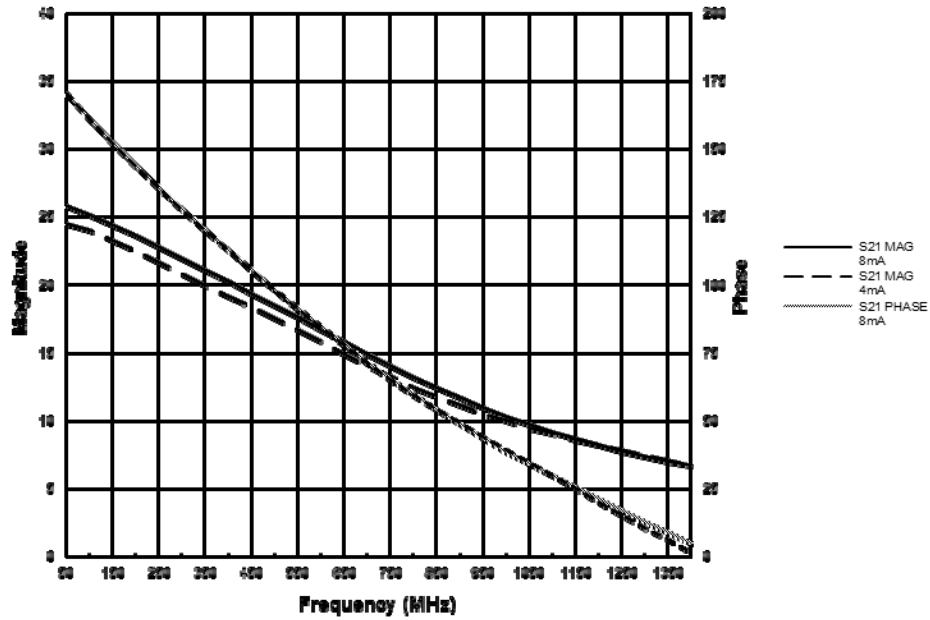


S12 50Ω external AC, 4 & 8mA internal DC load

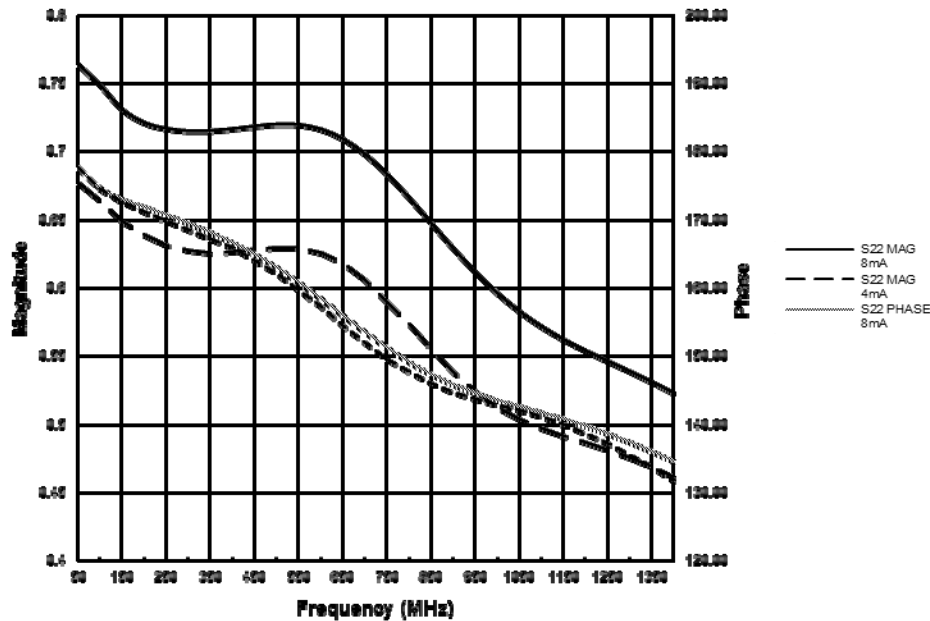
CTSLVEL16VR

PECL/ECL Oscillator Gain Stage & Buffer with Selectable Enable

MLP8, MLP16



S21 50Ω external AC, 4 & 8mA internal DC load



S22 50Ω external AC, 4 & 8mA internal DC load

ELECTRICAL SPECIFICATIONS

Absolute Maximum Ratings are those values beyond which device life may be impaired.

Symbol	Characteristic	Condition	Rating	Unit
V_{CC}	PECL Power Supply	$V_{EE} = 0V$	0 to + 6.0	V
V_{D_PECL}	PECL D Input Voltage	Referenced to V_{BB}	± 0.75	V
V_{EN_PECL}	PECL D Input Voltage	$V_{EE} = 0V$	0 to + 6.0	V
V_{EE}	ECL Power Supply	$V_{CC} = 0V$	-6.0 to 0	V
V_{D_ECL}	ECL D Input Voltage	Referenced to V_{BB}	± 0.75	V
V_{EN_ECL}	ECL D Input Voltage	$V_{CC} = 0V$	-6.0 to 0	V
I_{OUT}	Output Current	Continuous Q	25	mA
		Surge Q	50	
		Continuous Q_{HG}	50	
		Surge Q_{HG}	100	
T_A	Operating Temperature Range	-	-40 to +85	$^{\circ}C$
T_{STG}	Storage Temperature Range	-	-65 to +150	$^{\circ}C$
ESD_{HBM}	Human Body Model Electro Static Discharge	-	2500	V
ESD_{MM}	Machine Model Electro Static Discharge	-	200	V
ESD_{CDM}	Charged Device Model Electro Static Discharge	-	2000	V

ECL DC Characteristics ($V_{EE} = -3.0V$ to $-5.5V$, $V_{CC} = GND$)

Symbol	Characteristic	$-40^{\circ}C$		$0^{\circ}C$		$25^{\circ}C$		$85^{\circ}C$		Unit
		Min	Max	Min	Max	Min	Max	Min	Max	
V_{OH}	Output HIGH Voltage ¹	-1045	-835	-1025	-835	-1025	-835	-1025	-835	mV
V_{OL}	Output LOW Voltage ¹	-1925	-1555	-1900	-1620	-1900	-1620	-1900	-1620	mV
V_{IH}	Input HIGH Voltage D,EN (ECL) ²	-1165	-740	-1165	-740	-1165	-740	-1165	-740	mV
	Input HIGH Voltage EN (CMOS) ³	$V_{EE} + 2000$	V_{CC}	$V_{EE} + 2000$	V_{CC}	$V_{EE} + 2000$	V_{CC}	$V_{EE} + 2000$	V_{CC}	mV
V_{IL}	Input LOW Voltage D,EN (ECL) ²	-1900	-1475	-1900	-1475	-1900	-1475	-1900	-1475	mV
	Input LOW Voltage EN (CMOS) ³	V_{EE}	$V_{EE} + 800$	V_{EE}	$V_{EE} + 800$	V_{EE}	$V_{EE} + 800$	V_{EE}	$V_{EE} + 800$	mV
V_{BB}	Reference Voltage	-1390	-1250	-1390	-1250	-1390	-1250	-1390	-1250	mV
I_{IH}	Input HIGH Current EN		150		150		150		150	μA
I_{IL}	Input LOW Current EN (ECL) ²	0.5		0.5		0.5		0.5		μA
	Input LOW Current EN (CMOS) ³	-150		-150		-150		-150		
I_{EE}	Power Supply Current ¹		48		48		48		54	mA

¹ Specified with each output terminated through 50 Ω resistors to $V_{CC} - 2V$.

² EN-SEL = NC.

³ EN-SEL = V_{CC} or V_{EE} .

AC Characteristics ($V_{EE} = -3.0V$ to $-5.5V$; $V_{CC} = GND$ or $V_{EE} = GND$; $V_{CC} = +3.0V$ to $+5.5V$)

Symbol	Characteristic	-40°C			0°C			25°C			85°C			Unit
		Min	Typ	Max	Min	Typ	Max	Min	Typ	Max	Min	Typ	Max	
t_{PLH}/t_{PHL}	Propagation Delay													
	D to Q ¹			400			400			400			400	ps
	D to Q _{HG} ¹			450			450			450			450	ps
t_{SKEW}	Duty Cycle Skew ³		5	20		5	20		5	20		5	20	ps
V_{pp} (AC)	Input Swing ⁴ Differential	80		1000	80		1000	80		1000	80		1000	mV
t_r/t_f	Output Rise/Fall ^{1,2} (20% - 80%)	100		240	100		240	100		240	100		240	ps

¹ Specified with CS-SEL connected to V_{EE} , Q terminated with an AC coupled to 50Ω load.

² Specified with each output terminated through 50Ω resistors to $V_{CC} - 2V$.

³ Duty cycle skew is the difference between a t_{PLH} and t_{PHL} propagation delay through a device.

LVPECL DC Characteristics ($V_{EE} = GND$, $V_{CC} = +3.3V$)

Symbol	Characteristic	-40°C		0°C		25°C		85°C		Unit
		Min	Max	Min	Max	Min	Max	Min	Max	
V_{OH}	Output HIGH Voltage ^{1,2}	2255	2465	2275	2465	2275	2465	2275	2465	mV
V_{OL}	Output LOW Voltage ^{1,2}	1375	1745	1400	1680	1400	1680	1400	1680	mV
V_{IH}	Input HIGH Voltage D,EN (ECL) ³	2135	2560	2135	2560	2135	2560	2135	2560	mV
	Input HIGH Voltage EN (CMOS) ⁴	2000	V_{CC}	2000	V_{CC}	2000	V_{CC}	2000	V_{CC}	mV
V_{IL}	Input LOW Voltage D,EN (ECL) ³	1400	1825	1400	1825	1400	1825	1400	1825	mV
	Input LOW Voltage EN (CMOS) ⁴	GND	800	GND	800	GND	800	GND	800	mV
V_{BB}	Reference Voltage ¹	1910	2050	1910	2050	1910	2050	1910	2050	mV
I_{IH}	Input HIGH Current EN		150		150		150		150	μA
I_{IL}	Input LOW Current EN (ECL) ³	0.5		0.5		0.5		0.5		μA
	Input LOW Current EN (CMOS) ⁴	-150		-150		-150		-150		
I_{EE}	Power Supply Current ²		48		48		48		54	mA

¹ For supply voltages other than 3.3V, use the ECL table values and ADD supply voltage value.

² Specified with each output terminated through 50Ω resistors to $V_{CC} - 2V$.

³ EN-SEL = NC.

⁴ EN-SEL = V_{CC} or V_{EE} .

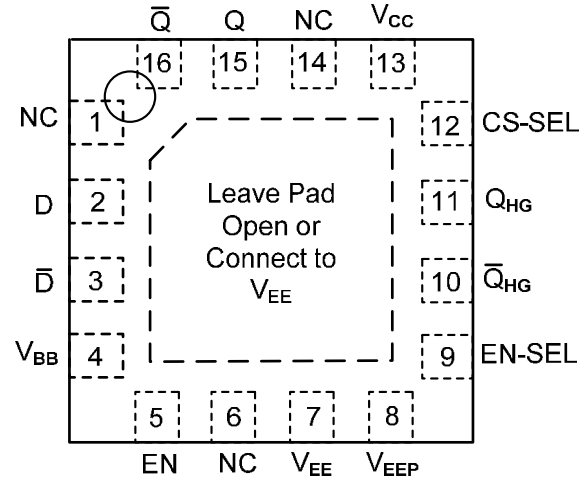
PECL DC Characteristics ($V_{EE} = \text{GND}$, $V_{CC} = +5.0\text{V}$)

Symbol	Characteristic	-40°C		0°C		25°C		85°C		Unit
		Min	Max	Min	Max	Min	Max	Min	Max	
V_{OH}	Output HIGH Voltage	3955	4165	3975	4165	3975	4165	3975	4165	mV
V_{OL}	Output LOW Voltage	3075	3445	3100	3380	3100	3380	3100	3380	mV
V_{IH}	Input HIGH Voltage D,EN (ECL)	3835	4260	3835	4260	3835	4260	3835	4260	mV
	Input HIGH Voltage EN (CMOS)	2000	V_{CC}	2000	V_{CC}	2000	V_{CC}	2000	V_{CC}	mV
V_{IL}	Input LOW Voltage D,EN (ECL)	3100	3525	3100	3525	3100	3525	3100	3525	mV
	Input LOW Voltage EN (CMOS)	GND	800	GND	800	GND	800	GND	800	mV
V_{BB}	Reference Voltage	3610	3750	3610	3750	3610	3750	3610	3750	mV
I_{IH}	Input HIGH Current EN		150		150		150		150	μA
I_{IL}	Input LOW Current EN (ECL)	0.5		0.5		0.5		0.5		μA
	Input LOW Current EN (CMOS)	-150		-150		-150		-150		
I_{EE}	Power Supply Current		48		48		48		54	mA

Pin Description and Configuration

Pin Assignments CTSLVEL16VRNLG

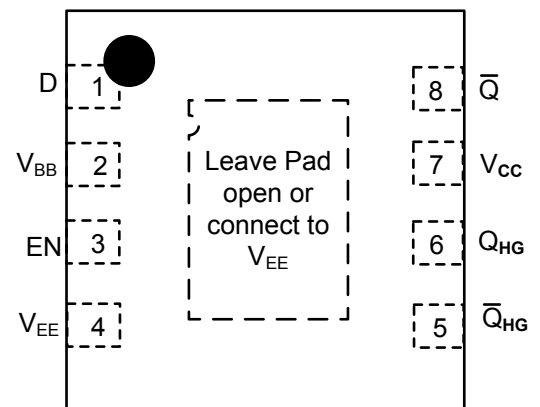
Pin	Name	Type	Function
1	NC	-	N/A
2	D	Input	Data Input
3	\bar{D}	Input	Inverting Data Input
4	V_{BB}	Output	Reference Voltage
5	EN	Input	Output Enable
6	NC	-	N/A
7	V_{EE}	Power	Negative Supply
8	V_{EEP}	Input	High Gain Current Source Enable
9	EN-SEL	Input	Enable Polarity Select
10	\bar{Q}_{HG}	Output	High Gain Inverting PECL Output
11	Q_{HG}	Output	High Gain PECL Output
12	CS-SEL	Input	Current Source Select
13	V_{CC}	Power	Positive Supply
14	NC	-	N/A
15	Q	Output	PECL Output
16	\bar{Q}	Output	Inverting PECL Output



Pin Configuration for CTSLVEL16VRNLG

Pin Description CTSLVEL16VRNNG

Pin	Name	Type	Function
1	D	Input	Data Input
2	V_{BB}	Output	Reference Voltage
3	EN	Input	Output Enable
4	V_{EE}	Power	Negative Supply
5	\bar{Q}_{HG}	Output	High Gain Inverting PECL Output
6	Q_{HG}	Output	High Gain PECL Output
7	V_{CC}	Power	Positive Supply
8	\bar{Q}	Output	Inverting PECL Output



Pin Configuration for CTSLVEL16VRNNG

PART ORDERING INFORMATION

Part Number	Package	Marking
CTSLVEL16VRNLG	MLP16	100G 16R YYWW
CTSLVEL16VRNNG	MLP8	R5G YYWW

PACKAGE DIMENSIONS

