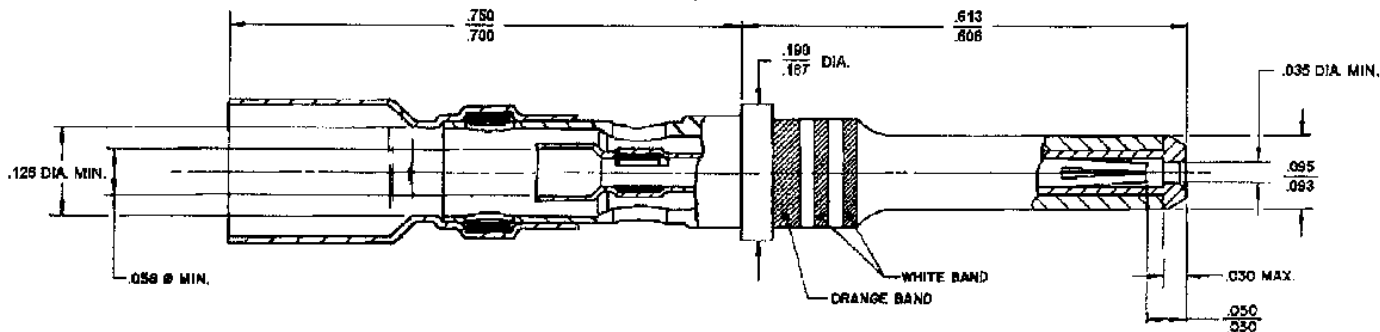


REVISIONS				
ZONE	LTR	DESCRIPTION	DATE	APPROVED
	E	REDRAWN & REVISED DCO# 01823	80 AUG 1	Z. TEMAN
	F	REVISED PER EO# D-0623	82 JUL 23	Z. TEMAN
	G	REVISED PER EO D-1027	82 DEC 13	R. MC CRAE
	H	REVISED PER ECN# T-7641	87 FEB 11	M. HIGGY
	J	REVISED PER ECN# T-19569	98/11/2	<i>[Signature]</i>



CABLE APPLICATION	
RG CABLE	RAYCHEM CABLE
RG 180	952BA1XIX 952BAK2X

### REQUIREMENTS:

- 1a. CONTACT MATERIAL: COPPER ALLOY PER QQ-B-826 & QQ-C-630
- 1b. INSULATOR MATERIAL: FLUOROPOLYMER
2. PLATING: GOLD PER MIL-G-43204, NICKEL, PER QQ-N-290, OVER COPPER.
3. MAXIMUM OPERATING TEMPERATURE: 130° C.
4. PERFORMANCE REQUIREMENTS PER MIL-C-39029 EXCEPT AS FOLLOWS:
  - A. THERMAL SHOCK: THE HIGH TEMPERATURE FOR THIS TEST SHALL BE 130° C. (MIL-STD-202, METHOD 107, TEST CONDITION A, STEP 3)
  - B. TENSILE STRENGTH: FOR COAX-COMBINED INNER AND OUTER: 15 LBS. (OR TENSILE STRENGTH OF COAX CABLE)
  - C. CONTACT RESISTANCE, INNER: 10 MILLIOHMS MAX., OUTER: 6 MILLIOHMS MAX. (EXCLUDING WIRE RESISTANCE)
  - D. DIELECTRIC WITHSTANDING VOLTAGE: 900 VOLTS RMS MINIMUM.
  - E. INSULATION RESISTANCE: 5000 MEGOHMS MINIMUM.
  - F. ENGAGEMENT FORCE, INNER SOCKET: 16 OZ. MAXIMUM.
  - G. SEPARATION FORCE, INNER SOCKET: 0.5 OZ. MINIMUM.

### NOTES:

1. THIS CONTACT IS DESIGNED FOR USE IN MIL-C-83725, SERIES 3, TYPE B CONNECTORS.
2. THIS CONTACT IS DESIGNED TO ACCOMMODATE RG 180/0R OR EQUIVALENT. OTHER APPLICATIONS SHOULD BE SUBMITTED TO RAYCHEM FOR EVALUATION.
3. INSERTION-EXTRACTION TOOL: M83723-3F-12 OR MS27534-12
4. FOR ADDITIONAL REQUIREMENTS SEE MIL-C-39029/F4
5. FOR TERMINATION PROCEDURE SEE RAYCHEM SPECIFICATION ES 6134.
6. MATING CONTACT (FOR SIMILAR CABLES): D-802-0107.

### CONNECTOR SPECIFICATION CONTROL DRAWING

UNLESS OTHERWISE SPECIFIED DIMENSIONS ARE IN INCHES BRACKETED DIMENSIONS ( ) ARE METRIC AND TOLERANCES ARE:  .XXX ± ( ) .XX ± ( ) .X ± ( )	DRAWN	B. DEASY	7-28-80	<b>TYCO</b> <small>Tyco Electronics Corporation 200 Continental Drive Mesa, PA, CA 94025 USA</small> <b>Raychem</b>	
	CHECKED				
	APPROVED	<i>[Signature]</i>	<i>[Signature]</i>		TITLE
	APPROVED	<i>[Signature]</i>	<i>[Signature]</i>		<b>CONTACT, COAXIAL, PIN</b>
	APPROVED				
	CAD NAME	602-0106.PCX	SIZE	CODE IDENT	
			<b>A</b>	NO. 00100	
				DWG. NO.	
				<b>D-602-0106</b>	
				WEIGHT 1.5 G. MAX. SHEET 1 OF 1	

If this document is printed it becomes uncontrolled.  
Check for the latest revision.

DO NOT SCALE THIS DRAWING