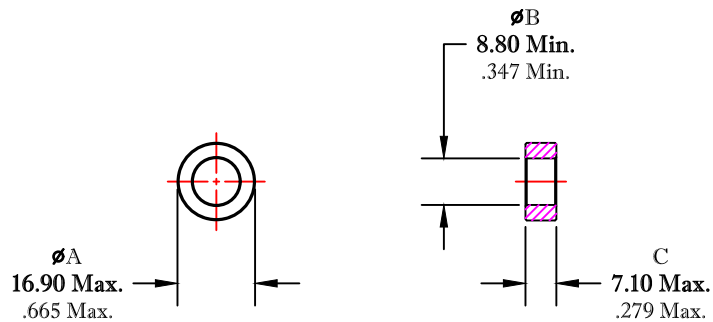


** Not all features are shown in this drawing. For more detailed information, please contact your Fair-Rite representative.

UNCONTROLLED ~CATALOG~ DRAWING

SIZE	PART NO.	REV.
B	5943004921	~



AFTER COATING

DIMENSIONS
BOLD NUMBERS ARE IN MILLIMETERS
 LIGHT NUMBERS ARE IN INCHES

ELECTRICAL SPECIFICATIONS						
$\Sigma L/A(\text{mm}^{-1})$	l_e (mm)	A_e (mm ²)	V_e (mm ²)	L_o (nH)	A_L (nH) @10 kHz <10gauss	$\tan \delta/\mu_1$ @100 kHz 1gauss
1.9370	38.5	19.9	766	0.649	520 $\begin{smallmatrix} +20\% \\ -25\% \end{smallmatrix}$	$\leq 50 \times 10^{-6}$

NOTES:

- 1 - THIS PART TO BE THERMOSET PLASTIC COATED, USE APPROVED FR# 5943004901.
- 2 - COATING THICKNESS = 0.25mm [.010"] MAX.
- 3 - COATED TOROID TO WITHSTAND A MINIMUM BREAKDOWN VOLTAGE OF 1000 Vrms, WHEN UNIFORMLY APPLIED ACROSS THE "C" DIMENSION.
- 4 - ELECTRICAL TESTS PERFORMED AS PER SOP# ELC-45.

FAIR-RITE PRODUCTS CORP.						
TITLE COATED TOROID						
DRAWN BY J.SERENCISCS	DATE 07-17-2018	SIZE	PART NO.	REV.		
CHKD BY		B	5943004921	~		
APPRVD BY		SCALE	NONE	SHEET	1	of 1

FR# 43