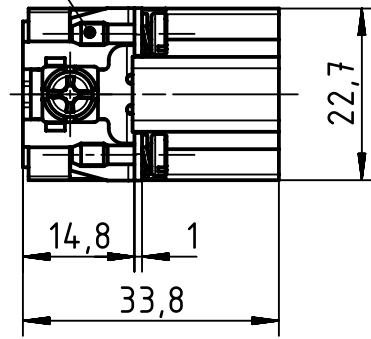
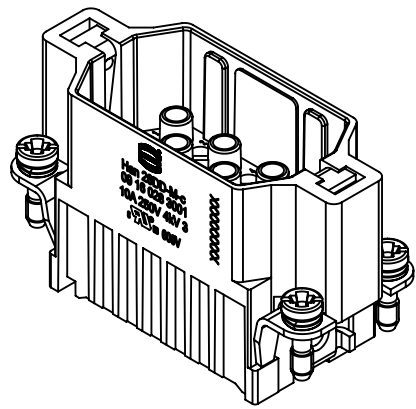
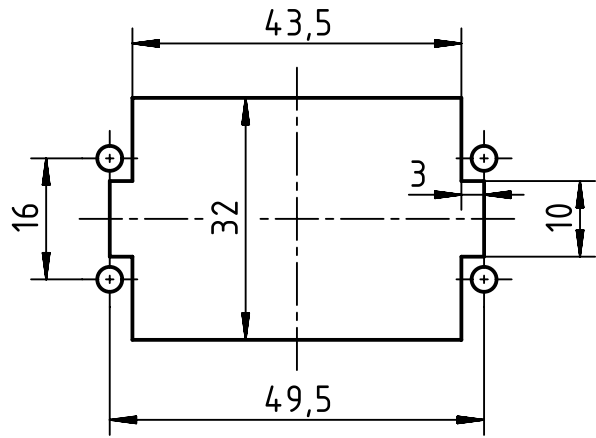



M3x10



Panel cut out



	All rights reserved Department EL PD	All Dimensions in mm Original Size DIN A4		Scale 1:1	Free size tol.	Ref.
		HARTING Electric GmbH & Co. KG D-32339 Espelkamp	Created by LONGL	Inspected by YUA	Standardisation RUETERA	Date 2019-01-25
		Title Han 28DD M-c			Doc-Key / ECM-Nr. 100758231/UGD/000/B 500000146251	
		Type TB	Number 09 16 028 3001		Rev. B	Page 1/1