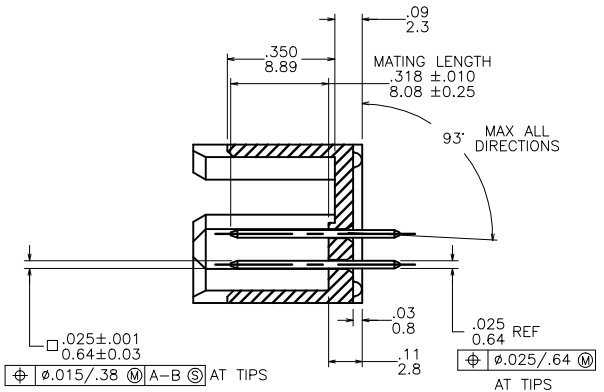
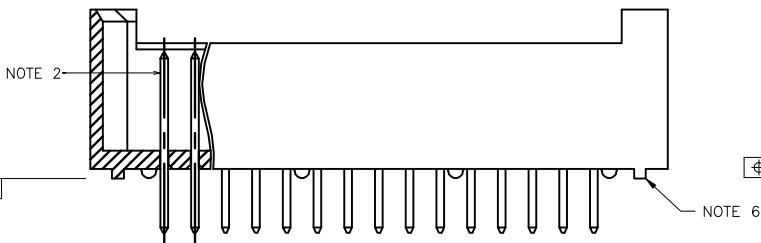
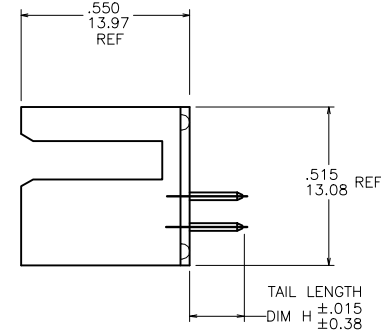
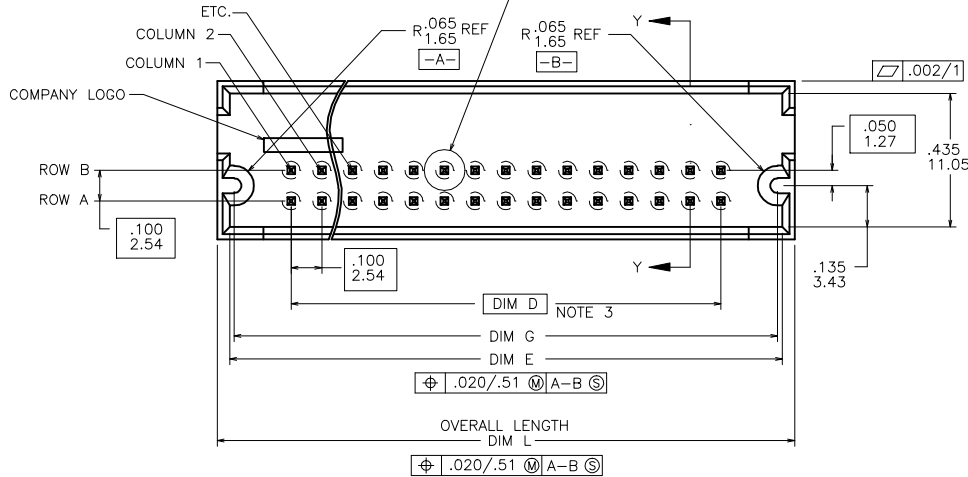


PRODUCT NUMBER
SEE TABLE



FCIconnect.com

Copyright FCI

| | | | | | |
|----------------------------|----------|---------------------|----------------------------------|---------------------------------------|---|
| mat'l. code NOTES 1 & 5 | | surface ISO 1502 | tolerance ISO 406 ISO 1101 | projection | product family HEADERS |
| lir | ec'n no | dr | date | tolerances unless otherwise specified | title |
| V | V50688 | LSS | 7/5/95 | XXL01/XXL03 | VERTICAL 2-ROW GUIDE PIN (SLOTTED) HEADER-SOLDER TAILS |
| W | V71449 | HTB | 10/7/97 | XXXL005/XXXL013 | |
| X | V81283 | EPK | 10/14/98 | 0 \pm 2° | scale 2:1 |
| Y | V03-0342 | GJP | 3/21/03 | dr | S. ROYER 3/28/90 |
| AA | M05-0089 | MHT | 5/16/05 | engr | A. MCNEE 3/28/90 |
| AB | M07-0116 | AGS | 2/19/07 | chr | A. MCNEE 3/28/90 |
| AC | M09-0059 | MHT | 4/16/09 | appd | A. MCNEE 3/28/90 |
| sheet | revision | AC | AC | AC | |
| index | sheet | 1 | 2 | 3 | |




dwg no 67273 sheet 1 of 3 size A3
type Product Customer Drawing

| PRODUCT NUMBER NOTE 4 & 7 | SIZE NOTE 4 | TAIL LENGTH DIM H | DIM D | DIM G | DIM E | OVERALL LENGTH DIM L | PLATING NOTE 10 |
|------------------------------|----------------|----------------------|--------|---------------|----------------|-------------------------|---|
| 67273-XXX | 2 x XXX | .177/4.50 | NOTE 3 | .37/.94+DIM D | .40/10.2+DIM D | .48/12.2+DIM D | 30u"/.76u Au OVER 50u"/1.27u Ni |
| 67274-XXX | | .177/4.50 | | | | | 15u"/.38u Au OVER 50u"/1.27u Ni |
| 67275-XXX | | .177/4.50 | | | | | GOLD FLASH OVER 50u"/1.27u Ni |
| 67276-XXX | | .177/4.50 | | | | | 120u"/3.05u Sn OVER 50u"/1.27u Ni |
| 68513-XXX | | .122/3.10 | | | | | 30u"/.76u Au OVER 50u"/1.27u Ni |
| 68581-XXX | | .177/4.50 | | | | | 30u"/.76u GXT™ OVER 50u"/1.27u Ni |
| 68839-XXX | | .177/4.50 | | | | | 15u"/.38u GXT™ OVER 50u"/1.27u Ni |
| 69291-XXX | | .177/4.50 | | | | | DUPLEX 15u"/.38u Au & 100u"/2.54u Sn OVER 50u"/1.27u Ni |
| 69292-XXX | | .177/4.50 | | | | | DUPLEX 30u"/.76u Au & 100u"/2.54u Sn OVER 50u"/1.27u Ni |
| 69695-XXX | | .177/4.50 | | | | | 50u"/1.27u Au OVER 50u"/1.27u Ni |
| 78580-XXX | | .122/3.10 | | | | | 30u"/.76u GXT™ OVER 50u"/1.27u Ni |
| 78942-XXX | | .122/3.10 | | | | | 120u"/3.05u Sn OVER 50u"/1.27u Ni |
| 78943-XXX | | .122/3.10 | | | | | 15u"/.38u GXT™ OVER 50u"/1.27u Ni |
| 78944-XXX | | .122/3.10 | | | | | 15u"/.38u Au OVER 50u"/1.27u Ni |
| 90350-XXX | | .122/3.10 | | | | | DUPLEX 30u"/.76u Au & 100u"/2.54u Sn OVER 50u"/1.27u Ni |
| 95737-XXX | 2 x XXX | .100/2.54 | NOTE 3 | .37/.94+DIM D | .40/10.2+DIM D | .48/12.2+DIM D | 30u"/.76u GXT™ OVER 50u"/1.27u Ni |

NOTES :

- ① MOLDING MATERIAL : HI-TEMP RESIN
PER UL 94 V-0 COLOR : NATURAL
- ② PIN RETENTION TO BE 3 LBS/1.36 KG
MIN PER PIN IN EITHER DIRECTION.
- ③ DIM D =
(NO. OF COLUMNS-1) TIMES .100(ENGLISH)
(NO. OF COLUMNS-1) TIMES 2.54(METRIC)
- ④ -XXX REPRESENTS NO. OF COLUMNS
(i.e. 2 x 5 PART IS -005)
-001 THRU -004 ARE NOT AVAILABLE,
-005 THRU -050 ARE AVAILABLE.
- ⑤ TERMINAL MATERIAL : 3/4/HARD PHOS BRONZE ALLOY
UNS C51000
- ⑥ FLATNESS IS MEASURED FROM THE BOTTOM
OF THE END STANDOFFS.
- ⑦ ADD "LF" SUFFIX AT THE END OF PART NUMBER FOR LEAD FREE OPTION.
8. THE HOUSING WILL WITHSTAND EXPOSURE TO 260°C PEAK TEMPERATURE
FOR 15 SECONDS IN A WAVE SOLDER APPLICATION WITH A 1.5mm
MINIMUM THICK CIRCUIT BOARD. SEE APPLICATION NOTES/PROCEDURES
IF THEY ARE AVAILABLE.
- ⑨ THESE PRODUCT MEETS EUROPEAN UNION DIRECTIVES AND OTHER
COUNTRY REGULATION AS DESCRIBED IN GS-22-008.
- ⑩ PLATING OPTIONS:
MAY BE EITHER GOLD OR GXT PLATED AT MANUFACTURER'S OPTION.

| | | | | | | | | | |
|-------------|----------|----------|------|---|--------|--------------------|--|-------------------|--|
| mat'l. code | | surface | | tolerance | | projection | | product family | |
| NOTES 1 & 5 | | ISO 1302 | | ISO 406 | | ISO 1101 | | HEADERS | |
| ltr | ecn no | dr | date | tolerances unless otherwise specified | | | | | |
| AC | | | | angles | linear | XXX±.01/XX±0.3 | | INCH/MM | |
| | | | | | | XXX±.006/XX±0.13 | | scale 2:1 | |
| | | | | 0'±2' | | XXX±.0020/XXX±0.05 | | sheet 2 of 3 size | |
| dr | S. ROYER | 3/28/90 | |  | | | | | |
| engr | A. MCNEE | 3/28/90 | | | | | | | |
| chr | A. MCNEE | 3/28/90 | | | | | | | |
| appd | A. MCNEE | 3/28/90 | | | | | | | |
| sheet | revision | | | type Product Customer Drawing | | | | | |
| index | sheet | | | 67273 A3 | | | | | |

| PRODUCT NUMBER NOTE 4 & 7 | SIZE NOTE 4 | TAIL LENGTH DIM H | DIM D | DIM G | DIM E | OVERALL LENGTH DIM L | PLATING NOTE 10 |
|------------------------------|----------------|----------------------|--------|---------------|----------------|-------------------------|--|
| 67273-XXXLF | 2 x XXX | .177/4.50 | NOTE 3 | .37/.94+DIM D | .40/10.2+DIM D | .48/12.2+DIM D | 30u"/.76u Au OVER 50u"/1.27u Ni |
| 67274-XXXLF | | .177/4.50 | | | | | 15u"/.38u Au OVER 50u"/1.27u Ni |
| 67275-XXXLF | | .177/4.50 | | | | | GOLD FLASH OVER 50u"/1.27u Ni |
| 67276-XXXLF | | .177/4.50 | | | | | 100u"/2.54u PURE Sn OVER 50u"/1.27u Ni |
| 68513-XXXLF | | .122/3.10 | | | | | 30u"/.76u Au OVER 50u"/1.27u Ni |
| 68581-XXXLF | | .177/4.50 | | | | | 30u"/.76u GXT™ OVER 50u"/1.27u Ni |
| 68839-XXXLF | | .177/4.50 | | | | | 15u"/.38u GXT™ OVER 50u"/1.27u Ni |
| 69291-XXXLF | | .177/4.50 | | | | | DUPLEX 15u"/.38u Au & 100u"/2.54u PURE Sn OVER 50u"/1.27u Ni |
| 69292-XXXLF | | .177/4.50 | | | | | DUPLEX 30u"/.76u Au & 100u"/2.54u PURE Sn OVER 50u"/1.27u Ni |
| 69695-XXXLF | | .177/4.50 | | | | | 50u"/1.27u Au OVER 50u"/1.27u Ni |
| 78580-XXXLF | | .122/3.10 | | | | | 30u"/.76u GXT™ OVER 50u"/1.27u Ni |
| 78942-XXXLF | | .122/3.10 | | | | | 100u"/2.54u PURE Sn OVER 50u"/1.27u Ni |
| 78943-XXXLF | | .122/3.10 | | | | | 15u"/.38u GXT™ OVER 50u"/1.27u Ni |
| 78944-XXXLF | | .122/3.10 | | | | | 15u"/.38u Au OVER 50u"/1.27u Ni |
| 90350-XXXLF | | .122/3.10 | | | | | DUPLEX 30u"/.76u Au & 100u"/2.54u PURE Sn OVER 50u"/1.27u Ni |
| 95737-XXXLF | 2 x XXX | .100/2.54 | NOTE 3 | .37/.94+DIM D | .40/10.2+DIM D | .48/12.2+DIM D | 30u"/.76u GXT™ OVER 50u"/1.27u Ni |



Copyright FCJ

| | | | | | |
|-------------------------|----------|---------------------------------------|----------------------------------|-------------|---|
| mat'l. code ISO 1302 | | surface ISO 406 ISO 1301 | tolerance ISO 406 ISO 1301 | projection | product family HEADERS |
| NOTES 1 & 5 | | tolerances unless otherwise specified | | INCH/MM | title VERTICAL 2-ROW GUIDE PIN (SLOTTED) HEADER-SOLDER TAILS |
| ltr | ecn no | dr | date | | |
| AC | | | | | dwg no |
| | | | | | sheet 3 of 3 |
| | | | | | size |
| | | | | | A3 |
| | | | | | type |
| | | | | | Product Customer Drawing |
| sheet | revision | | | | |
| index | sheet | | | | |