

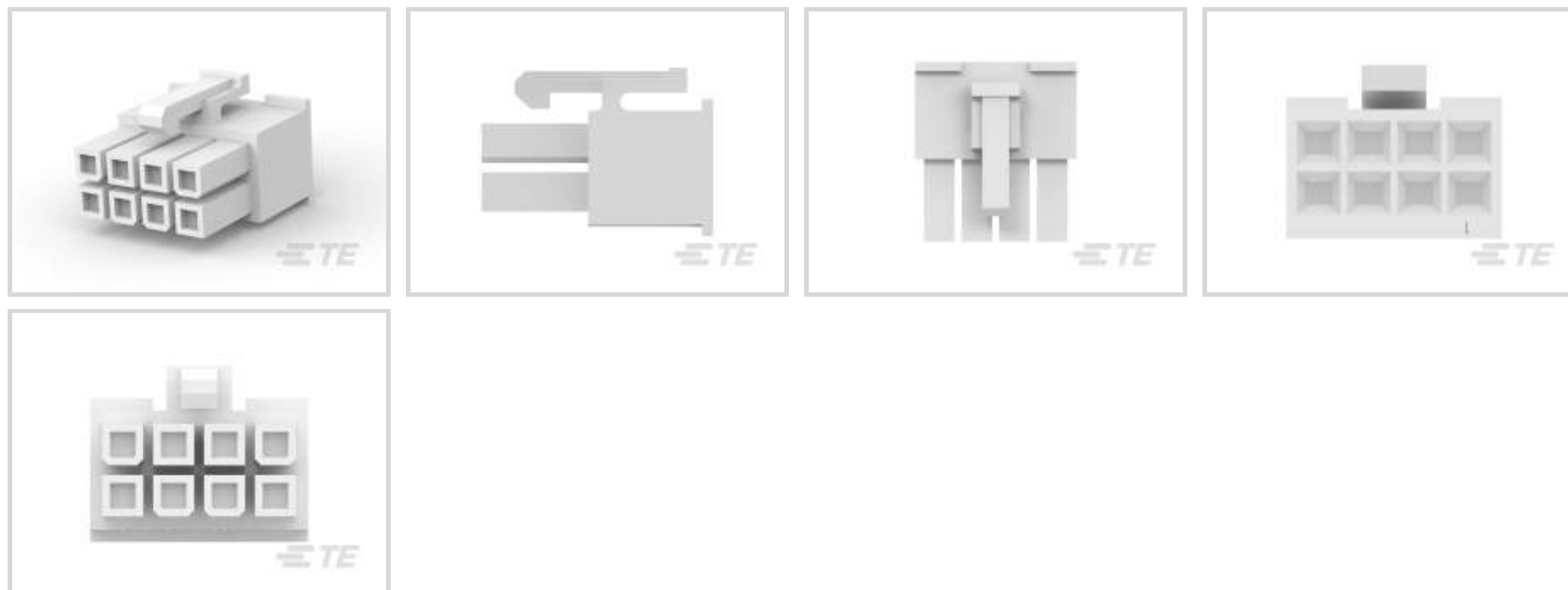
VAL-U-LOK

TE Internal #: 794954-8

Rectangular Power Connectors, Housing, Receptacle, Wire-to-Board / Wire-to-Wire, 8 Position, 4.2 mm [.165 in] Centerline, Wire & Cable, UL 94V-2

[View on TE.com >](#)

Connectors > Power Connectors > Rectangular Power > Rectangular Power Connectors



Rectangular Power Connector Type: **Housing**

Connector & Housing Type: **Receptacle**

Connector System: **Wire-to-Board, Wire-to-Wire**

Number of Positions: **8**

Centerline (Pitch): **4.2 mm [.165 in]**

Features

Product Type Features

Rectangular Power Connector Type	Housing
Connector & Housing Type	Receptacle
Connector System	Wire-to-Board, Wire-to-Wire
Sealable	No
Connector & Contact Terminates To	Wire & Cable

Configuration Features

Insertion Force	15 Newton
Compatible With Wire & Cable Type	Discrete Wire
Number of Positions	8
Number of Rows	2

Electrical Characteristics

Operating Voltage	600 VAC
-------------------	---------

Contact Features

Multiple Contact Types	Without
------------------------	---------



Contact Layout	Matrix
Contact Retention Within Housing	Without
Contact Type	Receptacle

Termination Features

Termination Method to Wire & Cable	Crimp
------------------------------------	-------

Mechanical Attachment

Connector Mounting Type	Cable Mount (Free-Hanging)
-------------------------	----------------------------

Housing Features

Centerline (Pitch)	4.2 mm [.165 in]
Housing Color	Natural
Housing Material	Nylon

Dimensions

Connector Height	11.8 mm [.464 in]
Product Width	20 mm [.787 in]
Product Length	18 mm [.709 in]
Compatible Insulation Diameter Range	1.2 – 3.1 mm [.047 – .122 in]
Row-to-Row Spacing	4.2 mm [.165 in]

Usage Conditions

Operating Temperature Range	-40 – 105 °C [-40 – 221 °F]
-----------------------------	-----------------------------

Operation/Application

Circuit Application	Power & Signal
---------------------	----------------

Identification Marking

Circuit Identification Feature	With
--------------------------------	------

Industry Standards

CSA Rating	208567
UL Rating	Recognized
Agency/Standard	CSA, UL
Approved Standards	UL E28476
UL Flammability Rating	UL 94V-2
Glow Wire Rating	Standard Part - Not Glow Wire

Packaging Features



Packaging Quantity	500
Packaging Method	Bag

Product Compliance





[For compliance documentation, visit the product page on TE.com>](#)

EU RoHS Directive 2011/65/EU	Compliant
EU ELV Directive 2000/53/EC	Compliant
China RoHS 2 Directive MIIT Order No 32, 2016	No Restricted Materials Above Threshold
EU REACH Regulation (EC) No. 1907/2006	Current ECHA Candidate List: JUNE 2023 (235) Candidate List Declared Against: JAN 2023 (233) Does not contain REACH SVHC
Halogen Content	Low Halogen - Br, Cl, F, I < 900 ppm per homogenous material. Also BFR/CFR/PVC Free
Solder Process Capability	Not applicable for solder process capability

Product Compliance Disclaimer

This information is provided based on reasonable inquiry of our suppliers and represents our current actual knowledge based on the information they provided. This information is subject to change. The part numbers that TE has identified as EU RoHS compliant have a maximum concentration of 0.1% by weight in homogenous materials for lead, hexavalent chromium, mercury, PBB, PBDE, DBP, BBP, DEHP, DIBP, and 0.01% for cadmium, or qualify for an exemption to these limits as defined in the Annexes of Directive 2011/65/EU (RoHS2). Finished electrical and electronic equipment products will be CE marked as required by Directive 2011/65/EU. Components may not be CE marked. Additionally, the part numbers that TE has identified as EU ELV compliant have a maximum concentration of 0.1% by weight in homogenous materials for lead, hexavalent chromium, and mercury, and 0.01% for cadmium, or qualify for an exemption to these limits as defined in the Annexes of Directive 2000/53/EC (ELV). Regarding the REACH Regulation, the information TE provides on SVHC in articles for this part number is based on the latest European Chemicals Agency (ECHA) 'Guidance on requirements for substances in articles' posted at this URL: <https://echa.europa.eu/guidance-documents/guidance-on-reach>

Compatible Parts

 <p>TE Part # 1586041-8 8P VAL-U-LOK R/A HDR V2</p>	 <p>TE Part # 1586000-8 8P FH PLUG VAL-U-LOK V2</p>	 <p>TE Part # 1586037-8 8P VERT HDR VAL-U-LOK V2</p>	 <p>TE Part # 1586039-8 8P VAL-U-LOK VRT HDR W/P V2</p>
--	--	---	--




TE Part # 1586043-8
8P VAL-U-LOK R/A HDR SCR MT V2



TE Part # 794953-8
8P PM PLUG VAL-U-LOK V2




TE Part # 1969598-8
8P FH PLUG VAL-U-LOK V2



TE Part # 1969599-8
8P PM PLUG VAL-U-LOK V2



TE Part # 2029097-2
2P RCPT VAL-U-LOK V2 BLUE



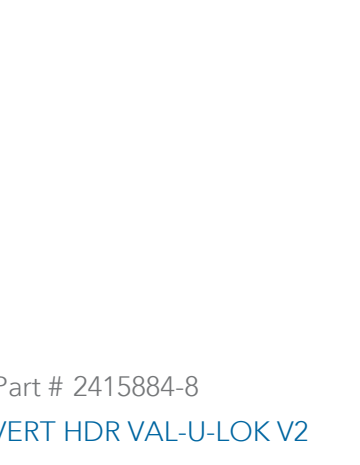
TE Part # 794550-8
08P DUAC PLUG HSG 94V-2 PAN MT



TE Part # 2825272-8
8P VERT HDR VAL-U-LOK HCS GW

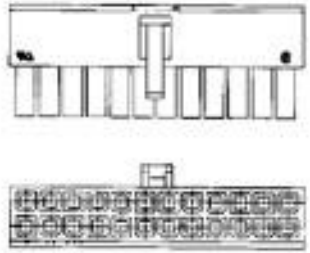


TE Part # 3-1586040-8
8P VAL-U-LOK VRT HDR W/P V0 gold



TE Part # 2415884-8
8P VERT HDR VAL-U-LOK V2

Customers Also Bought



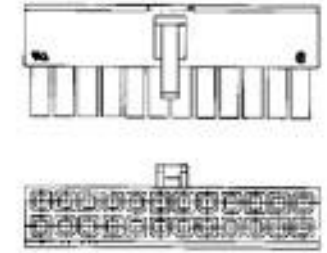
TE Part #1-794954-2
12P RCPT VAL-U-LOK V2



TE Part #1586000-4
4P FH PLUG VAL-U-LOK V2



TE Part #794953-4
4P PM PLUG VAL-U-LOK V2



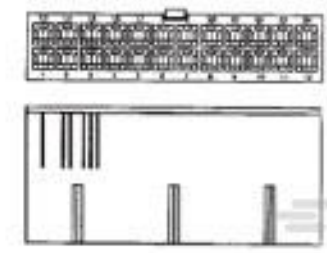
TE Part #794954-2
2P RCPT VAL-U-LOK V2



TE Part #1586000-8
8P FH PLUG VAL-U-LOK V2



TE Part #5148057-5
ASSY,RECEPTACLE,EUROCARD,TYPE C,LEAD-FRE



TE Part #1-1586000-2
12P FH PLUG VAL-U-LOK V2



TE Part #1604112-2
CONT,30A PWR PROD,STRIP,TIN



Documents

Product Drawings

8P RCPT VAL-U-LOK V2

English

CAD Files

3D PDF

3D

Customer View Model

[ENG_CVM_CVM_794954-8_E.2d_dxf.zip](#)

English

Customer View Model

[ENG_CVM_CVM_794954-8_E.3d_igs.zip](#)

English

Customer View Model

[ENG_CVM_CVM_794954-8_E.3d_stp.zip](#)

English

By downloading the CAD file I accept and agree to the [Terms and Conditions](#) of use.

Datasheets & Catalog Pages

SOFT_SHELL_PIN_AND_SOCKET_CONNECTORS_CATALOG

English

Product Specifications

Application Specification

English

Product Environmental Compliance

Product Compliance Document

English

Product Compliance Document

English

Agency Approvals

UL Report

English