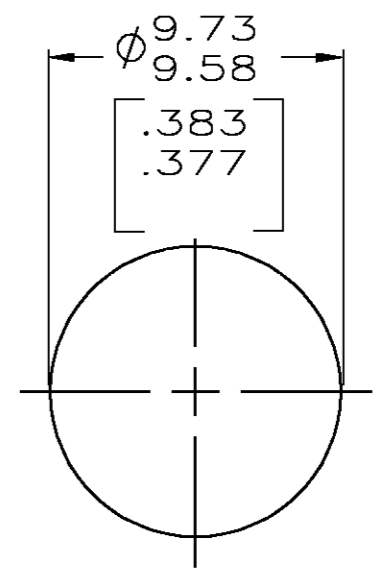
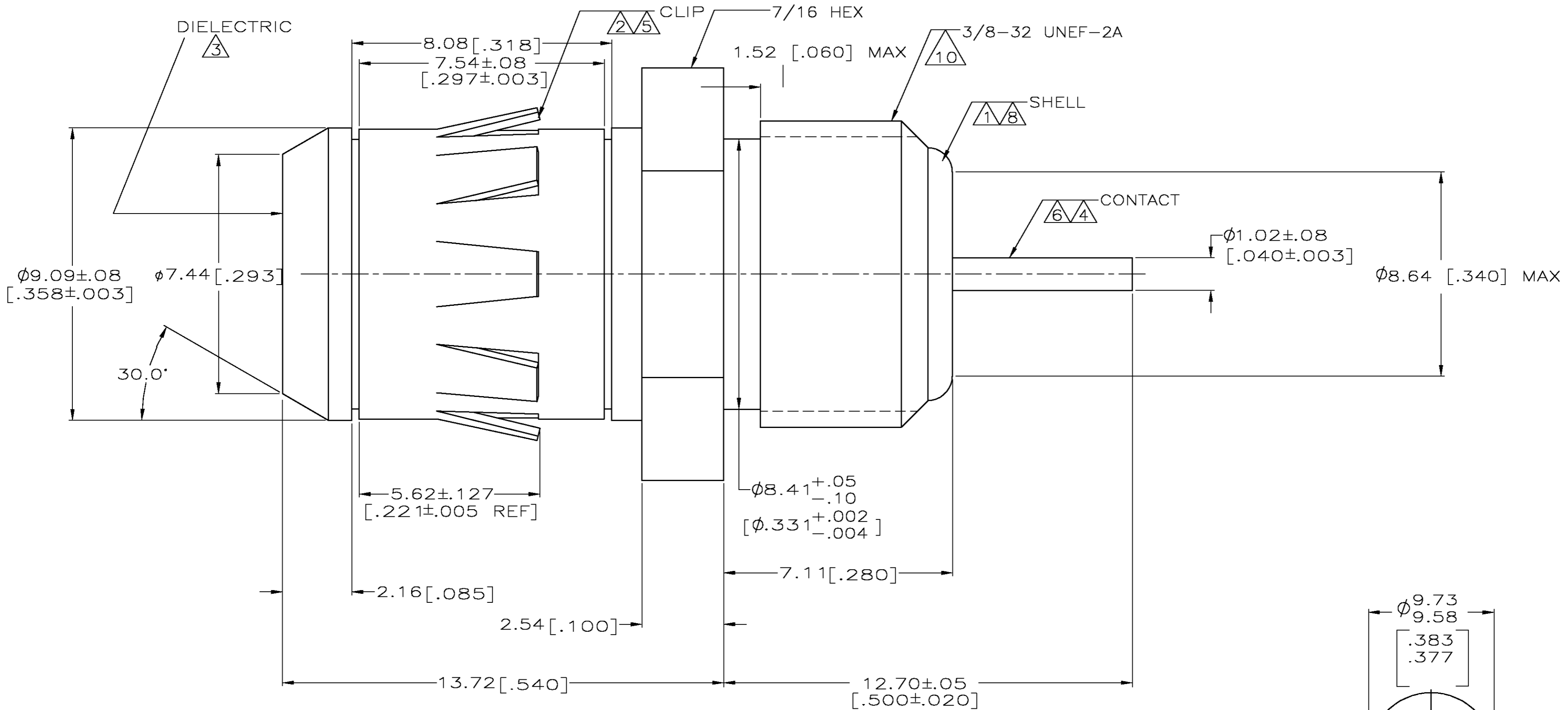


THIS DRAWING IS UNPUBLISHED. RELEASED FOR PUBLICATION
 © COPYRIGHT BY TYCO ELECTRONICS CORPORATION. ALL RIGHTS RESERVED.

LOC		DIST		REVISIONS			
AJ	16	P	LTR	DESCRIPTION	DATE	DWN	APVD
		B		PER EC OS14-0179-04	15NOV04	D5	KW



SCALE 4:1
 RECOMMENDED PANEL CUTOUT

- ① BRASS PER ASTM-B-16.
- ② BERYLLIUM COPPER PER ASTM-B-196.
- ③ PTFE PER MIL-P-19468.
- ④ BRIGHT TIN PER MIL-T-10727, TYPE 1
3.81 μm [.000150] MINIMUM THICK.
- ⑤ TIN PER ASTM-B-545
2.54 μm [.000100] MINIMUM THICK.
- ⑥ PHOSPHOR BRONZE PER QQ-B-750.
- 7. CONNECTOR WILL ACCEPT CENTER CONDUCTOR DIAMETER RANGE OF 0.76-1.07 [.030-.042].
- ⑧ BRIGHT NICKEL PER QQ-N-290,
3.81 μm [.000150] MINIMUM THICK.
- 9. CENTER CONDUCTOR ENTRY DEPTH TO FULL CURRENT CARRYING CAPACITY SHALL BE 4.32 [.170] MAX.
- ⑩ MAJOR DIA MODIFIED TO .363 REF.

1274032-1
 PART NO

THIS DRAWING IS A CONTROLLED DOCUMENT.		DWN	27APR98	 Tyco Electronics Corporation Harrisburg, PA 17105-3608					
DIMENSIONS: INCHES		CHK	27APR98						
TOLERANCES UNLESS OTHERWISE SPECIFIED:		APVD	27APR98						
0 PLC ± - 1 PLC ± - 2 PLC ± 0.25 [.010] 3 PLC ± - 4 PLC ± - ANGLES ± 5°		NAME	S. BURKHOLDER						
MATERIAL: SEE NOTES 1-3, 6		FINISH	SEE NOTES 4, 5, 8	PRODUCT SPEC	APPLICATION SPEC	SIZE	CAGE CODE	DRAWING NO	RESTRICTED TO
		WEIGHT	-	JACK, BULKHEAD, PCB, G SERIES		A2	00779	C=1274032	-
CUSTOMER DRAWING		SCALE 10:1		SHEET 1 OF 1		REV B			