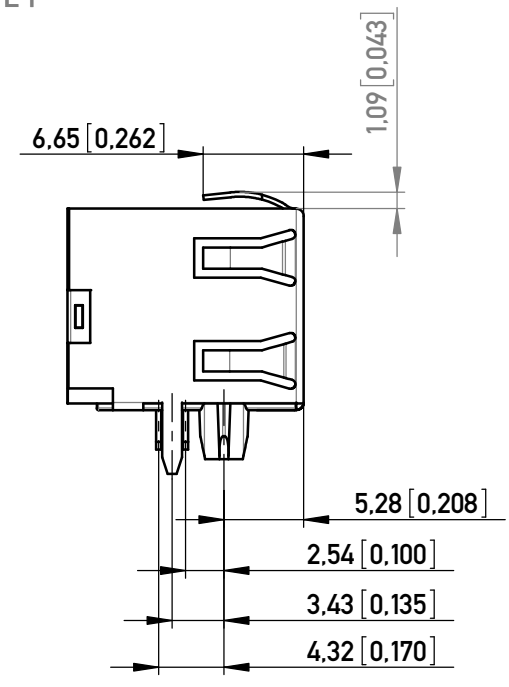
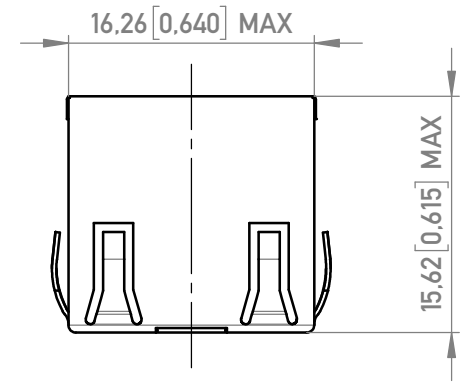
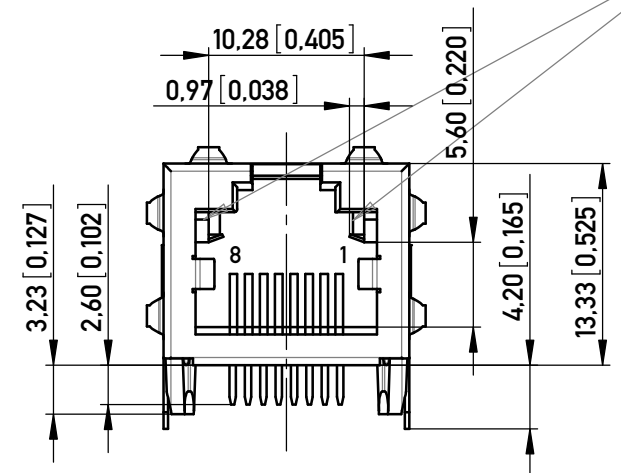
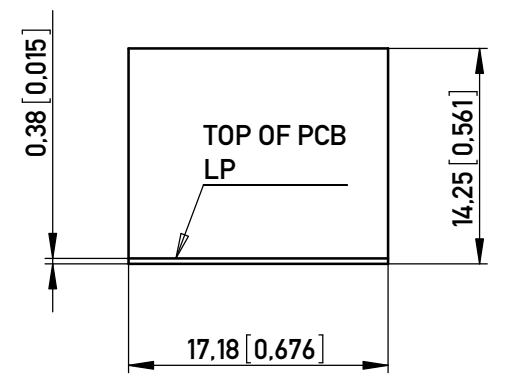


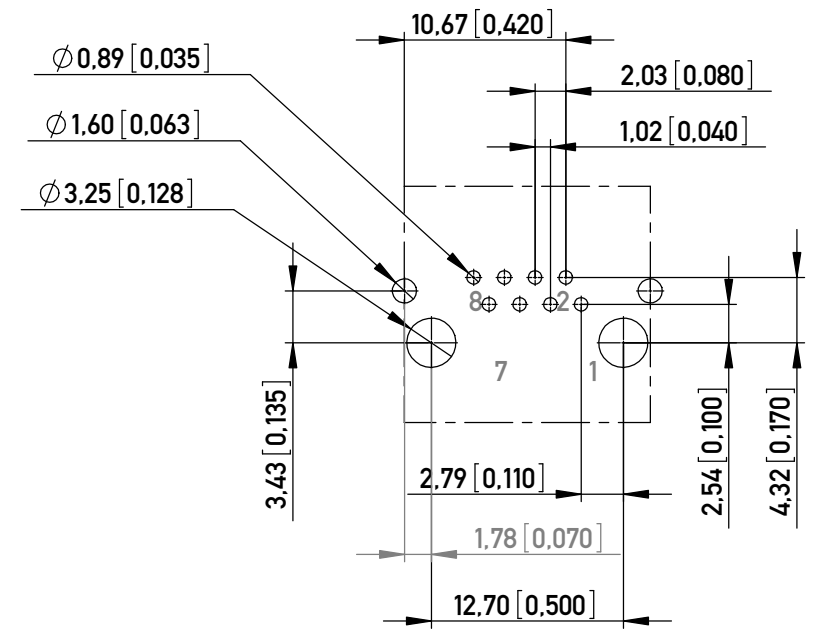
SEE NOTE 1



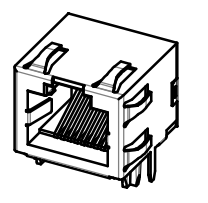
RECOMMENDED PANEL CUTOUT
EMPFOHLENER FRONTPLATTEN-AUSSCHNITT



RECOMMENDED PCB LAYOUT (COMPONENT SIDE VIEW)
EMPFOHLENES LEITERPLATTEN-LAYOUT (BESTUECKUNGSSEITE)
TOL. ±0.05 [0.002] UNLESS NOTED



- NOTE 1: PLUG SELECIVE CAPABILITY: THE SPRINGS PERVENT FROM INSERTION OF A RJ11 PLUG INTO THE JACK. COMPATIBLE WITH RJ45 PLUGS.
- NOTE 2: PANEL GROUND FLANGES BOTH SIDES AND TOP
- NOTE 3: RoHS COMPLIANT



1:1

Weitergabe sowie Vervielfältigung dieses Dokuments, Verwertung und Mitteilung seines Inhalts sind verboten, soweit nicht ausdrücklich gestattet. Zuwiderhandlungen verpflichten zu Schadenersatz. Alle Rechte für den Fall der Patent-, Gebrauchsmuster- oder Geschmacksmusterertragung vorbehalten. The reproduction, distribution and utilization of this document as well as the communication of its contents to others without express authorization is prohibited. Offenders will be held liable for the payment of damages. All rights reserved in the event of the grant of a patent, utility model or design.

Die deutsche Version dieser Zeichnung dient nur zur Erleichterung der Handhabung. Bei Abweichungen von dem englischen Original gilt das englische Original. The german version of this drawing has been offered for convenience only and may deviate from the english original. In case of any deviation the English version shall prevail.

| | | | | |
|---|---|----------------------------------|---|----------|
| Dimension no. Plug selective capability | Tolerances ±0.33 ISO 8015 | All Dimensions in mm [in] | Scale 2:1 | Material |
| Customer drawing: All rights reserved. Only for Information. To ensure that this is the latest version of this drawing, please contact one of the ERNI companies before using. | Subject to modification without prior notice. Drawing will not be updated. | | MOD JACK - RJ45 8P8C, 1x1, CATEGORY 5 203489 | |
| | ERNI International AG Zürichstrasse 72 8306 Brüttsellen - Zürich Switzerland | | | |
| d Index | 27.10.2021 Date | | Class MJ | A3 |