

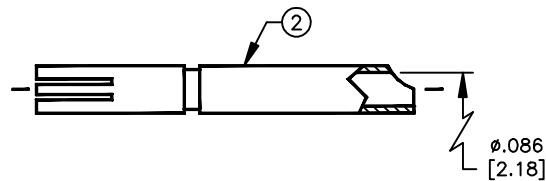
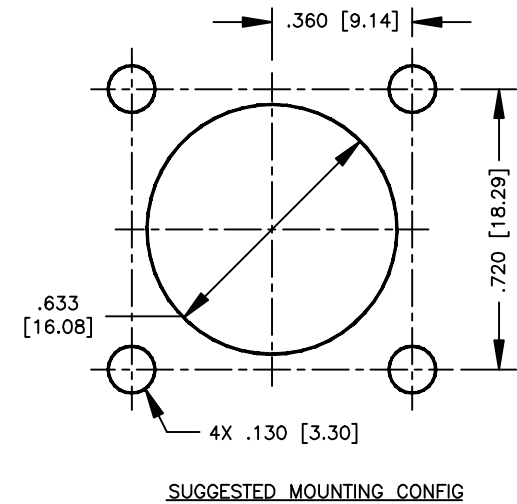
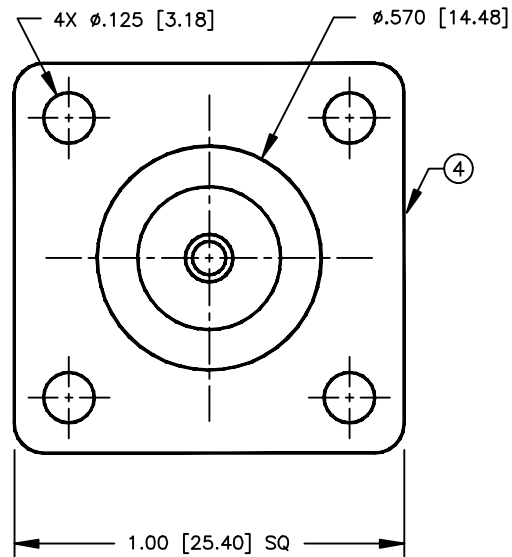
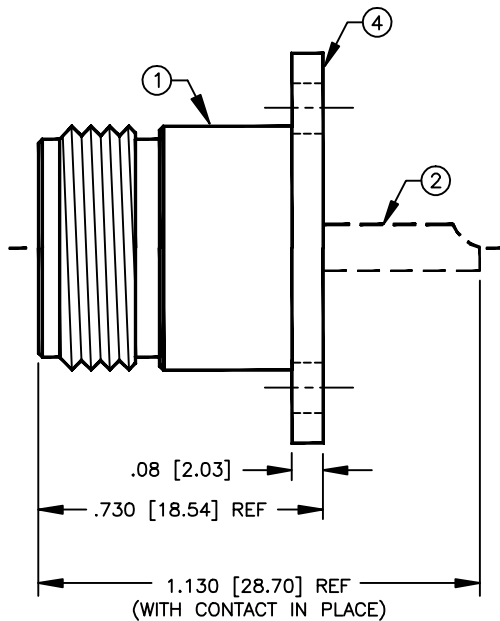
SPECIFICATION CONTROL DRAWING

REV	DESCRIPTION	DWN	DATE	APPROVED
A	ENGINEERING RELEASE	CZS	12/31/98	R. RICE

THIS DRAWING CONTAINS INFORMATION PROPRIETARY TO RF INDUSTRIES, LTD. ANY UNAUTHORIZED USE OF THIS DRAWING IS EXPRESSLY PROHIBITED. ANY VIOLATION IS PUNISHABLE UNDER U.S. COPYRIGHT LAWS.

ALL DIMENSIONS ARE REFERENCE ONLY

000000



SPECIFICATIONS:

IMPEDANCE: 50 OHMS
 WORKING VOLTAGE: 1000 VRMS @ SEA LEVEL
 FREQUENCY RANGE: 0-11 GHZ

DIMENSIONS ARE IN INCHES AND [MILLIMETERS]

UNLESS OTHERWISE NOTED TOLERANCES ARE:
 DECIMALS DIAMETER

RFconnectors
 DIVISION OF RF INDUSTRIES, LTD.

7610 MIRAMAR RD
 SAN DIEGO, CA 92126
 (619)549-6340
 (619)549-6345 FAX

RFN-1021-1

N FEMALE 4 HOLE FLANGE WITH REMOVABLE CAPTIVATED CONTACT

ITEM	DESCRIPTION	QTY	MATERIAL	FINISH
5	PRESS FIT GROUND RING	1	BRASS	SILVER
4	PRESS FIT FLANGE	1	BRASS	SILVER
3	DIELECTRIC	1	PTFE	NONE
2	CONTACT	1	BRASS	GOLD
1	BODY	1	BRASS	SILVER

DRAWN	C. ZUNIGA	12/31/98
CHECKED		
ORJ DRAWN	C. ZUNIGA	12/31/98
APPROVALS		
DATE		

SIZE	CABLE GROUP	DWG NO.	REV
A	N/A	8994	A
SCALE:	2:1	CAD FILE	13ARC B
SHEET			1 OF 1