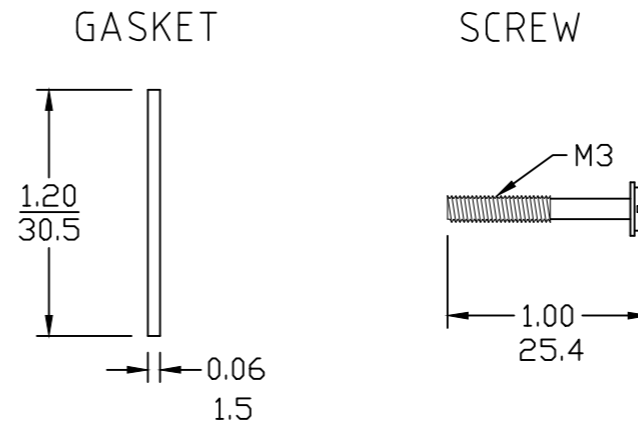


PART NUMBER	ENGINEERING NUMBER	FINISH LENGTH	CABLE MATERIAL
1211810033	E130D4A23M010	3 FT 3 IN [1M]	PVC, BLACK
1211810035	E130D4A23M020	6 FT 7 IN [2M]	
1211810036	E130D4A23M030	9 FT 10 IN [3M]	

DIN ACCESSORIES



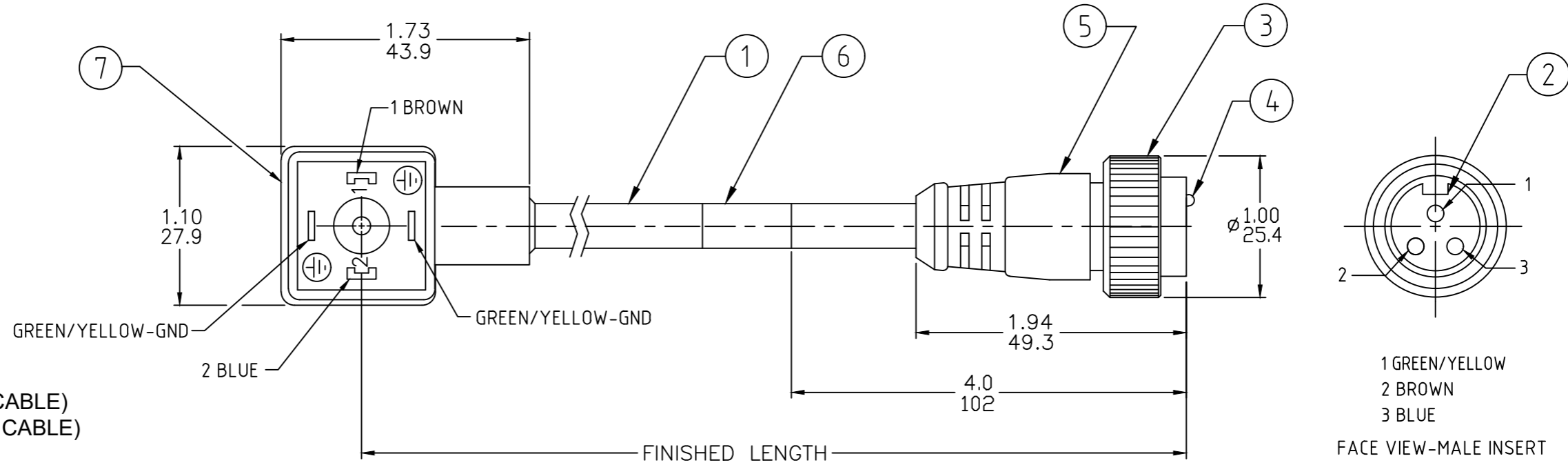
CABLE LENGTH TOLERANCES	
>.3M [1FT]:	+19mm-0 [+ .75in-0]
.3 - .9M [1 - 3FT]:	+44.5mm-0 [+1.75in-0]
.9 - 1.8M [3 - 6FT]:	+55.6mm-0 [+2.19in-0]
1.8 - 3.7M [6 - 12FT]:	+88.9mm-0 [+3.50in-0]
3.7 - 7.3M [12 - 24FT]:	+165.1mm-0 [+6.50in-0]
7.3-14.6M [24 - 48FT]:	+317.5mm-0 [+12.50in-0]
14.6 - 30.5M [48-100FT]:	+622.3mm-0 [+24.50in-0]
OVER 30M [100FT]:	+2% OF FINISHED LENGTH

PART NUMBER LEGEND

E130D4A23M010

CABLE MAT: A23: PVC P12: PUR
 FINISHED LENGTH: M005= 0.5 METER M010= 1.0 METER M100= 10 METER

- NOTES:
1. MATERIAL: AS NOTED
 2. FINISH: AS NOTED
 3. ELECTRICAL:
VOLTAGE: 115V, 5A
 4. TEMP RATING: -15°C TO +70°C (PVC CABLE)
(DYNAMIC) -15°C TO +90°C (PUR CABLE)
 5. PROTECTION: IP65 (WHEN MATED)
 6. COUPLING THREAD: 7/8-16UN
 7. ALL DIMS ARE FOR REFERENCE UNLESS NOTED OR TOLERANCED OTHERWISE



ITEM	DESCRIPTION	MATERIAL	FINISH
7	DIN CONNECTOR	PVC	BLACK
6	WRAP LABEL	VINYL	BLACK/YELLOW
5	OVERMOLD	TPE	YELLOW
4	CONTACT PIN	COPPER ALLOY	GOLD PLATED
3	COUPLING, FEMALE	ZINC DIE-CAST	BLACK
2	MALE INSERT (A-SIZE)	TPE	YELLOW
1	CABLE 3X0.75MM ² (18AWG)	SEE P/N TABLE	SEE P/N TABLE

FUNCTIONAL SYMBOLS F=0 E=0 P=0	THIS DRAWING CONTAINS INFORMATION THAT IS PROPRIETARY TO MOLEX ELECTRONIC TECHNOLOGIES, LLC AND SHOULD NOT BE USED WITHOUT WRITTEN PERMISSION		CURRENT REV DESC: INITIAL RELEASE		
	DIMENSION UNITS	SCALE	EC NO: 641840		
	INCH/MM	1:1	DRWN: RSTONE 2020/06/02		
	GENERAL TOLERANCES (UNLESS SPECIFIED)		CHK'D: MZIELINSKI 2020/07/20		
DIVISIONAL SYMBOLS	4 PLACES	±----	±----	APPR: BWOODMAN 2020/07/28	PRODUCT CUSTOMER DRAWING DOCUMENT NUMBER: 1211810033 DOC TYPE: PSD DOC PART: 000 REVISION: A
	3 PLACES	±----	±----	INITIAL REVISION:	
	2 PLACES	±----	±----	DRWN: RSTONE 2020/06/02	
	1 PLACE	±----	±----	APPR: BWOODMAN 2020/07/28	
0 PLACES	±----	±----	ANGULAR TOL ± 0.5°		
DRAFT WHERE APPLICABLE MUST REMAIN WITHIN DIMENSIONS		THIRD ANGLE PROJECTION	DRAWING	SERIES	MATERIAL NUMBER
			B-SIZE	121181	GENERAL MARKET