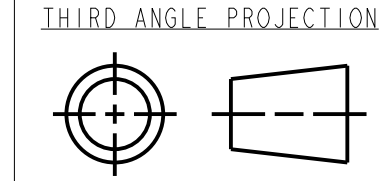


NOTES:
 1. ALL DIMENSIONS ARE MILLIMETERS [INCHES] UNLESS OTHERWISE NOTED.
 2. REFER TO "www.bannerengineering.com" FOR ADDITIONAL DATA AND SPECIFICATIONS.

This drawing is the property of BANNER ENGINEERING CORP. Any use or reproduction, in any form, without prior written permission of Banner is prohibited. © 2015 Banner Engineering Corp.

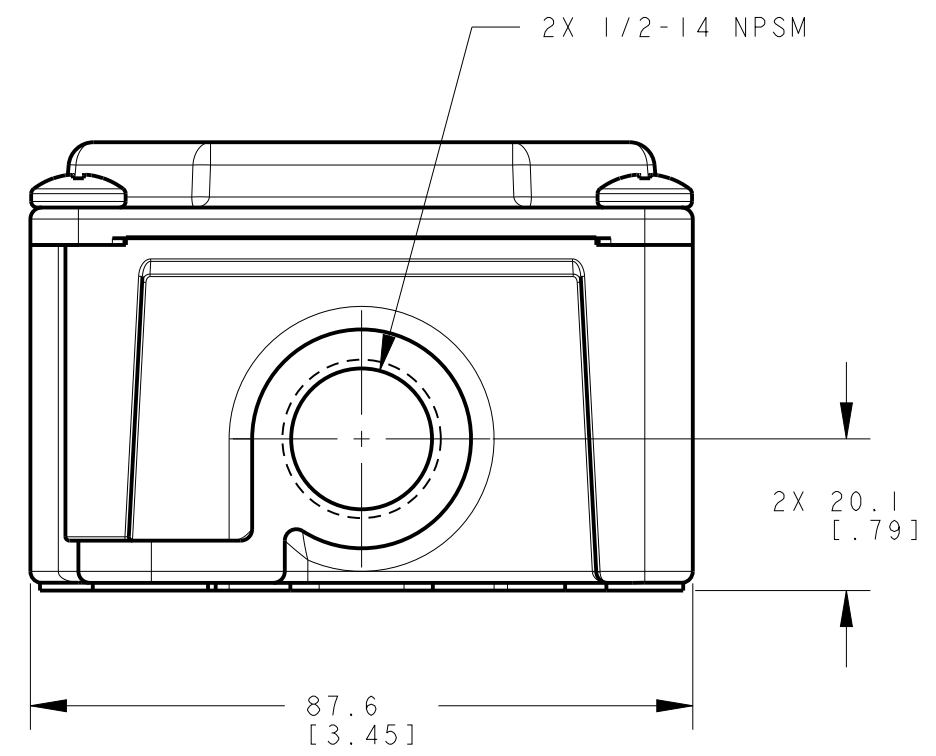
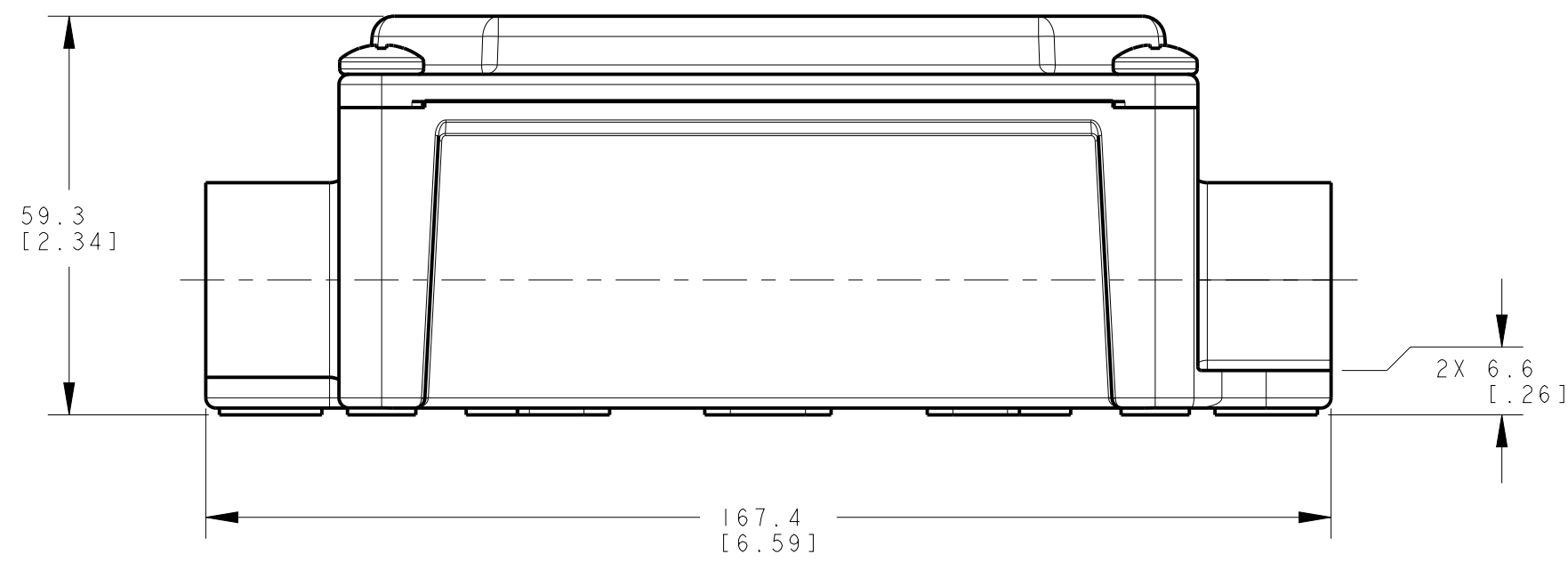
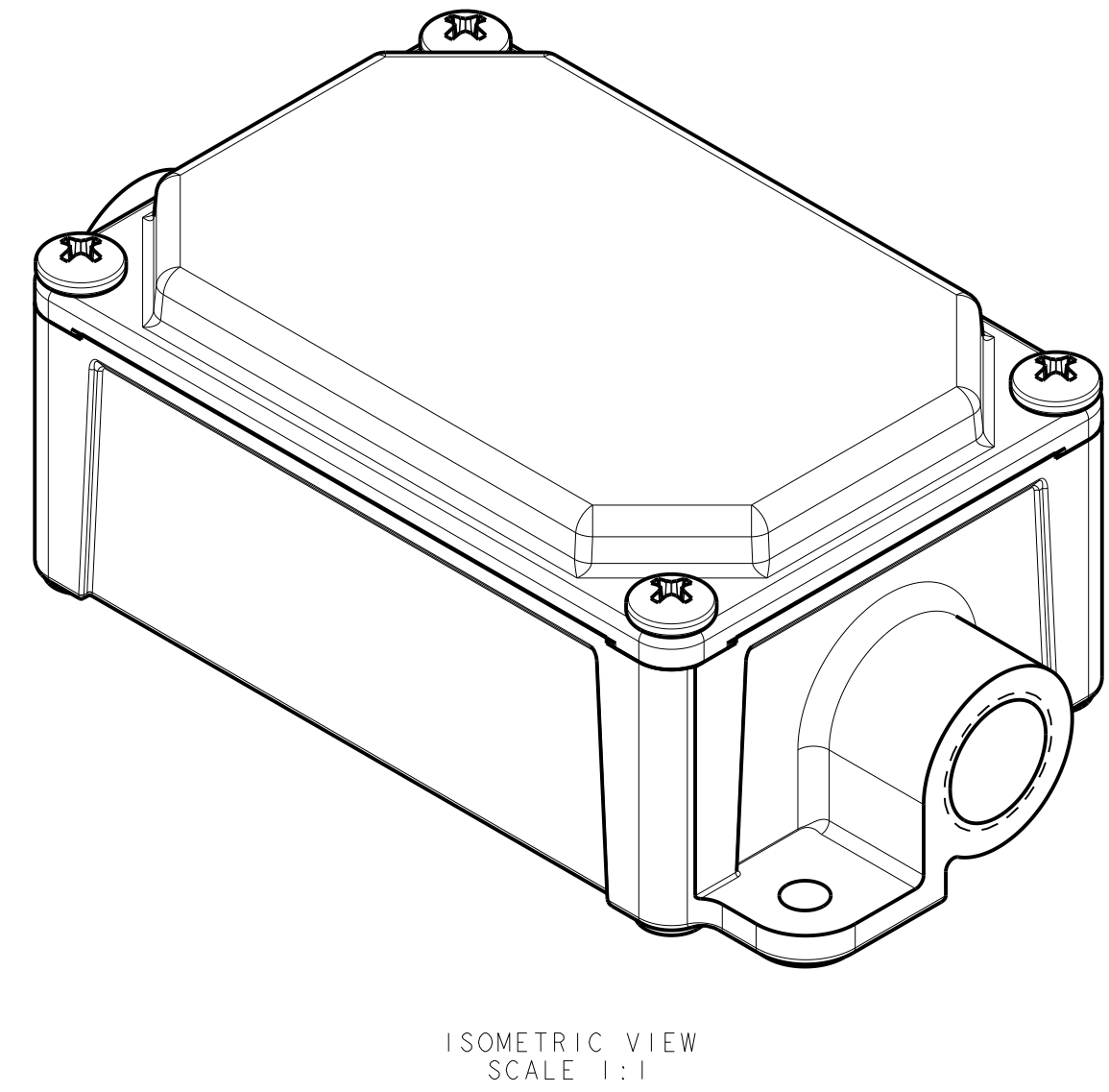
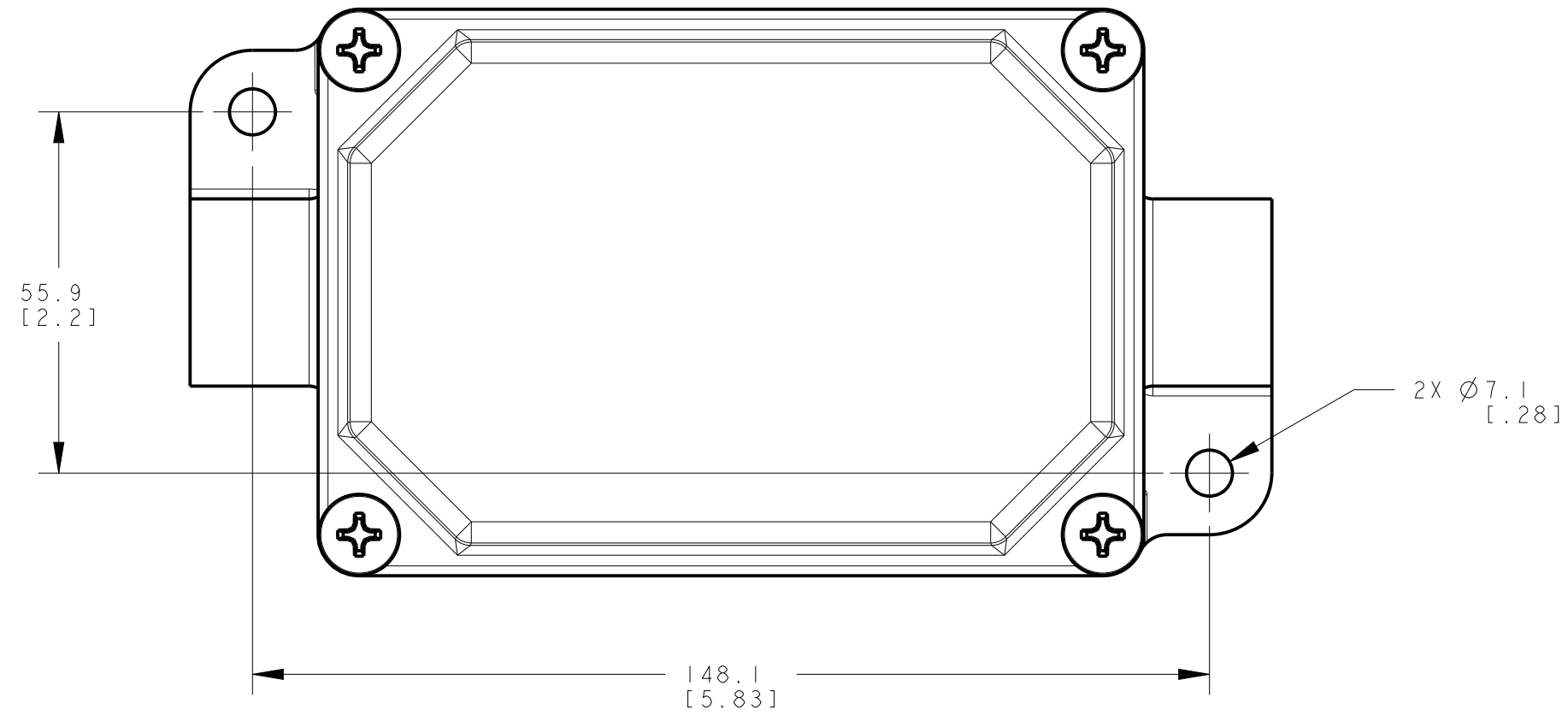


TITLE
OCCUPANCY COUNTING KIT V2



SIZE C	DRAWING NO. 219419	REV. A
SCALE 1:1		SHEET 1 OF 5

CREO



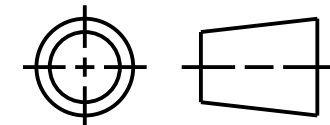
NOTES:
1. ALL DIMENSIONS ARE MILLIMETERS [INCHES] UNLESS OTHERWISE NOTED.
2. REFER TO "www.bannerengineering.com" FOR ADDITIONAL DATA AND SPECIFICATIONS.

This drawing is the property of BANNER ENGINEERING CORP. Any use or reproduction, in any form, without prior written permission of Banner is prohibited.
© 2015 Banner Engineering Corp.

BANNER BANNER ENGINEERING CORP.
www.bannerengineering.com

TITLE
OCCUPANCY COUNTING KIT V2

THIRD ANGLE PROJECTION



SIZE C DRAWING NO. **219419** REV. **A**

SCALE 1:1 SHEET 2 OF 5

CREO

8

7

6

5

4

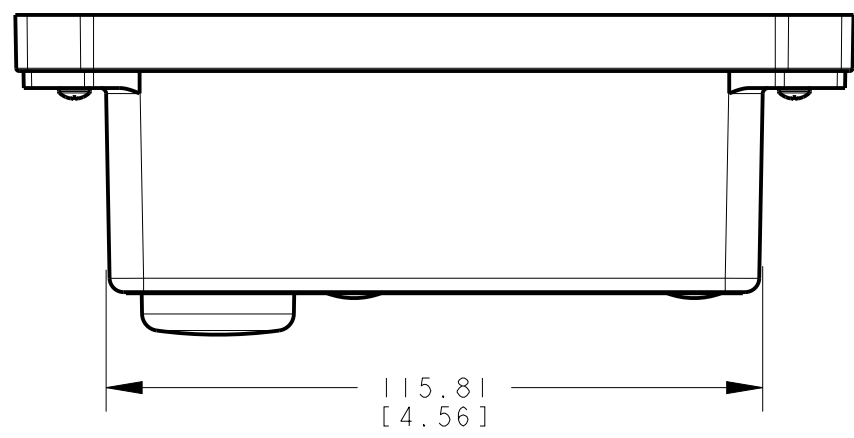
3

2

1

D

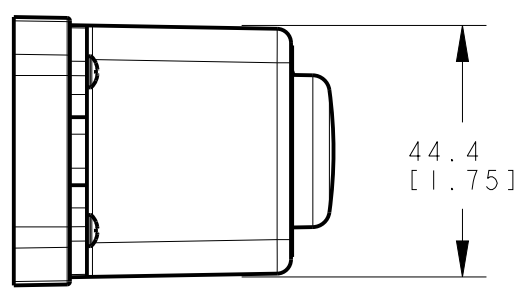
D



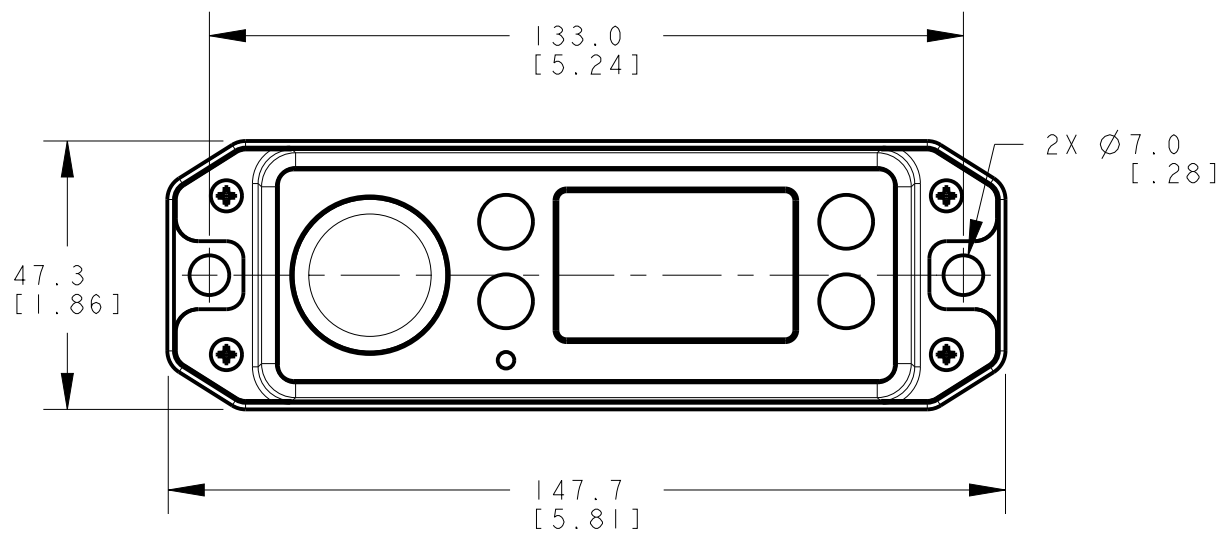
115.81
[4.56]

C

C



44.4
[1.75]

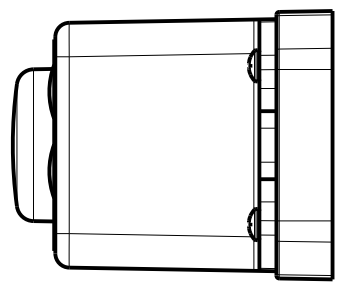


133.0
[5.24]

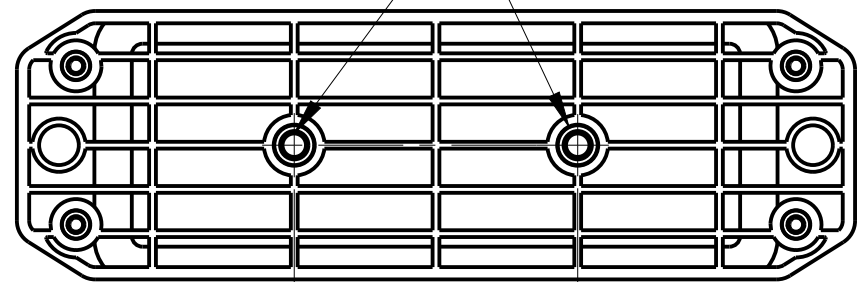
47.3
[1.86]

147.7
[5.81]

2X Ø7.0
[.28]



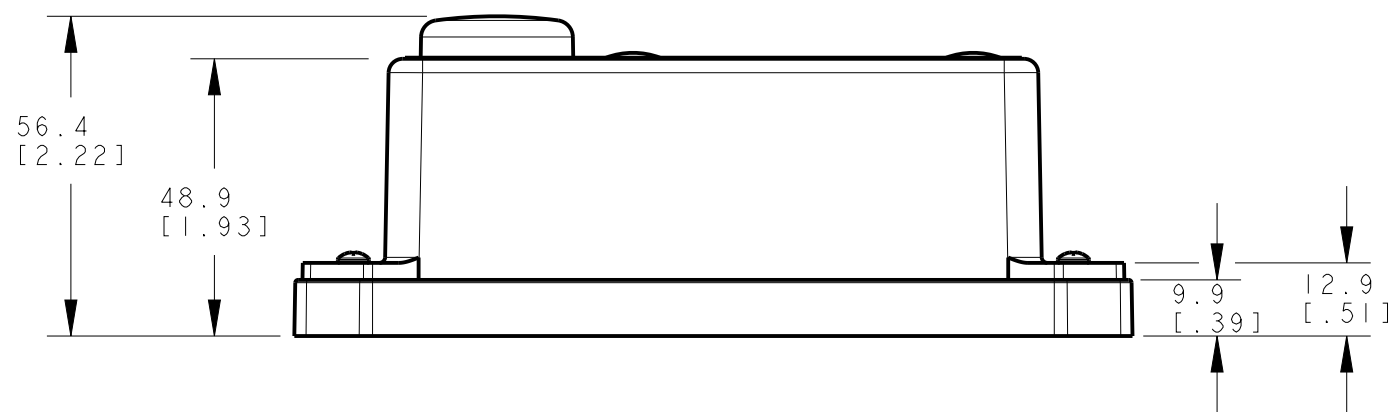
M5x0.8 PEM
6mm SCREW LENGTH MAXIMUM
3 N-m MAX TORQUE



50.0
[1.97]

B

B

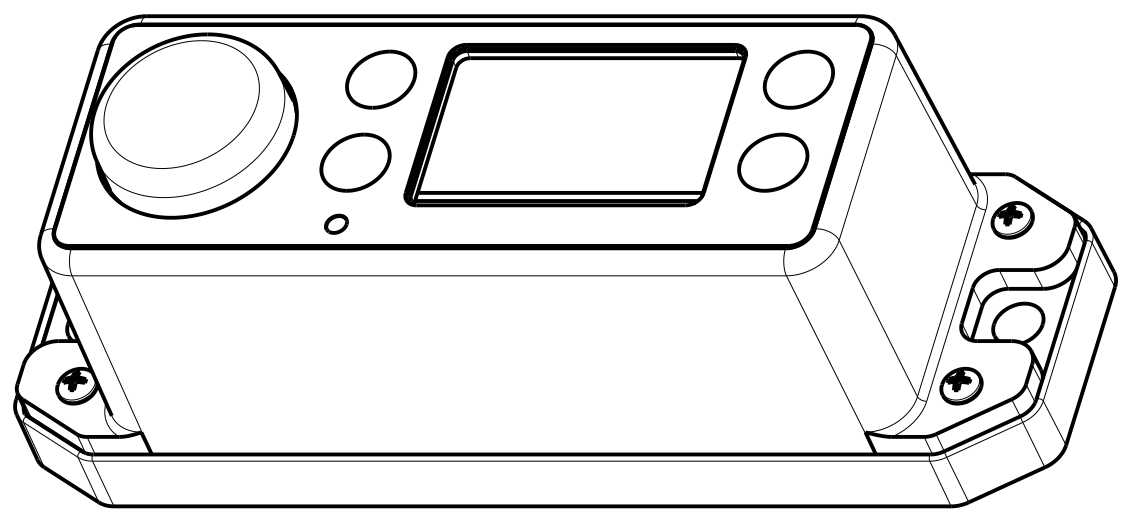


56.4
[2.22]

48.9
[1.93]

9.9
[.39]

12.9
[.51]



ISOMETRIC VIEW
SCALE 1:1

B

B

A

A

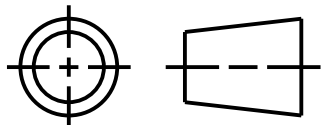
NOTES:
1. ALL DIMENSIONS ARE MILLIMETERS [INCHES] UNLESS OTHERWISE NOTED.
2. REFER TO "www.bannerengineering.com" FOR ADDITIONAL DATA AND SPECIFICATIONS.

This drawing is the property of BANNER ENGINEERING CORP. Any use or reproduction, in any form, without prior written permission of Banner is prohibited. © 2015 Banner Engineering Corp.



BANNER ENGINEERING CORP.
www.bannerengineering.com

THIRD ANGLE PROJECTION



TITLE
OCCUPANCY COUNTING KIT V2

SIZE C DRAWING NO. **219419** REV. **A**

SCALE 3:4 SHEET 3 OF 5

8

7

6

5

4

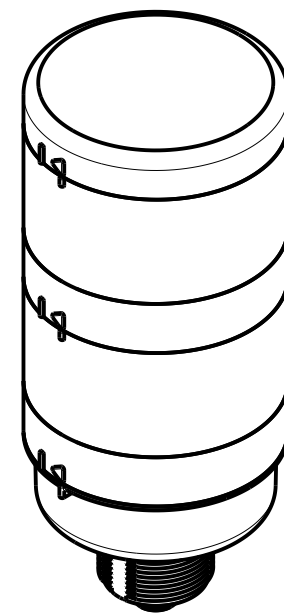
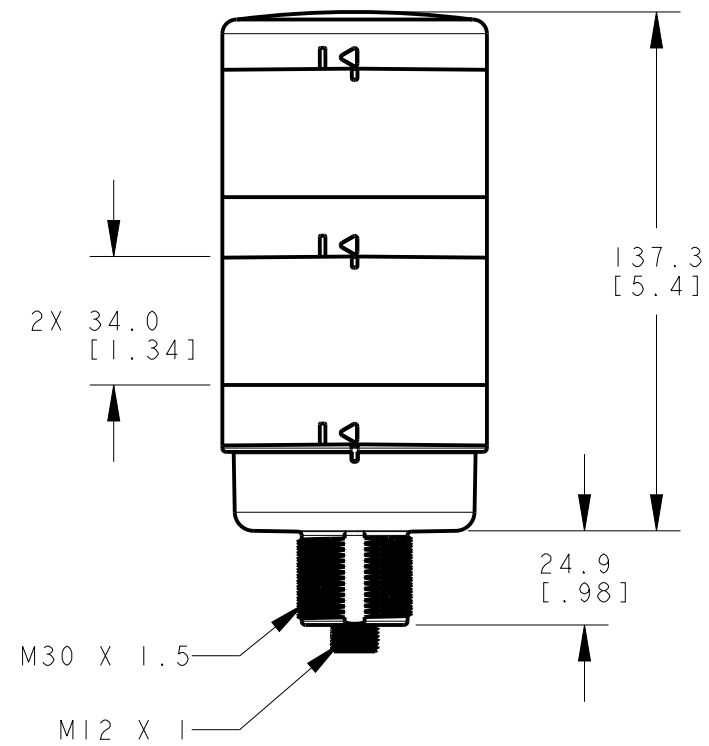
3

2

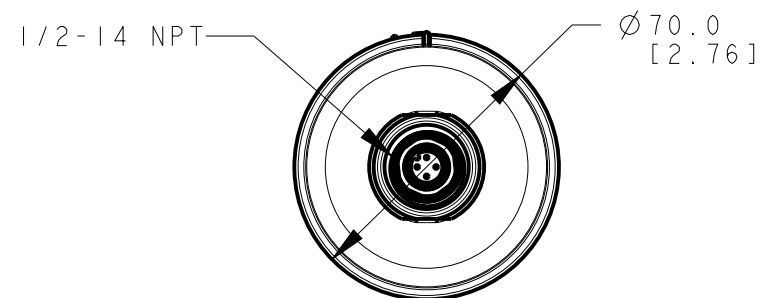
1

CREO

8 7 6 5 4 3 2 1



ISOMETRIC VIEW
SCALE 1:2



NOTES:
1. ALL DIMENSIONS ARE MILLIMETERS [INCHES] UNLESS OTHERWISE NOTED.
2. REFER TO "www.bannerengineering.com" FOR ADDITIONAL DATA AND SPECIFICATIONS.

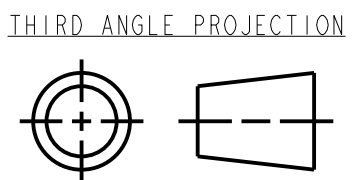
This drawing is the property of BANNER ENGINEERING CORP. Any use or reproduction, in any form, without prior written permission of Banner is prohibited. © 2015 Banner Engineering Corp.

BANNER BANNER ENGINEERING CORP.
www.bannerengineering.com

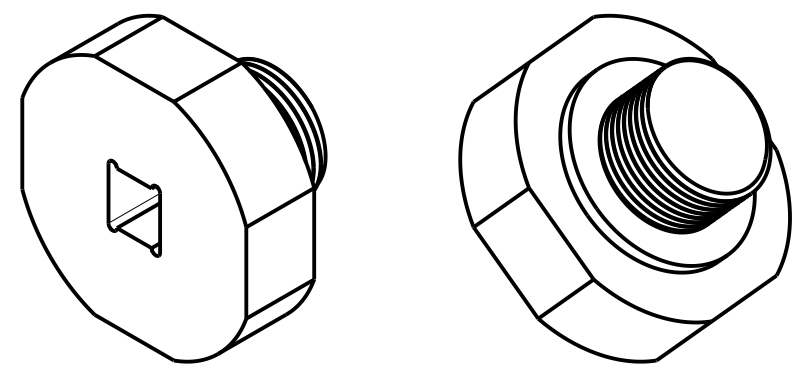
TITLE
OCCUPANCY COUNTING KIT V2

SIZE B DRAWING NO. **219419** REV. **A**

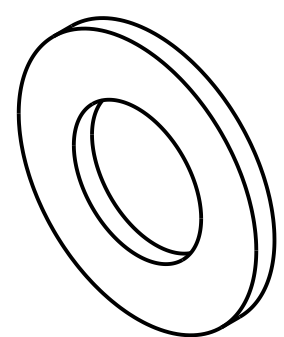
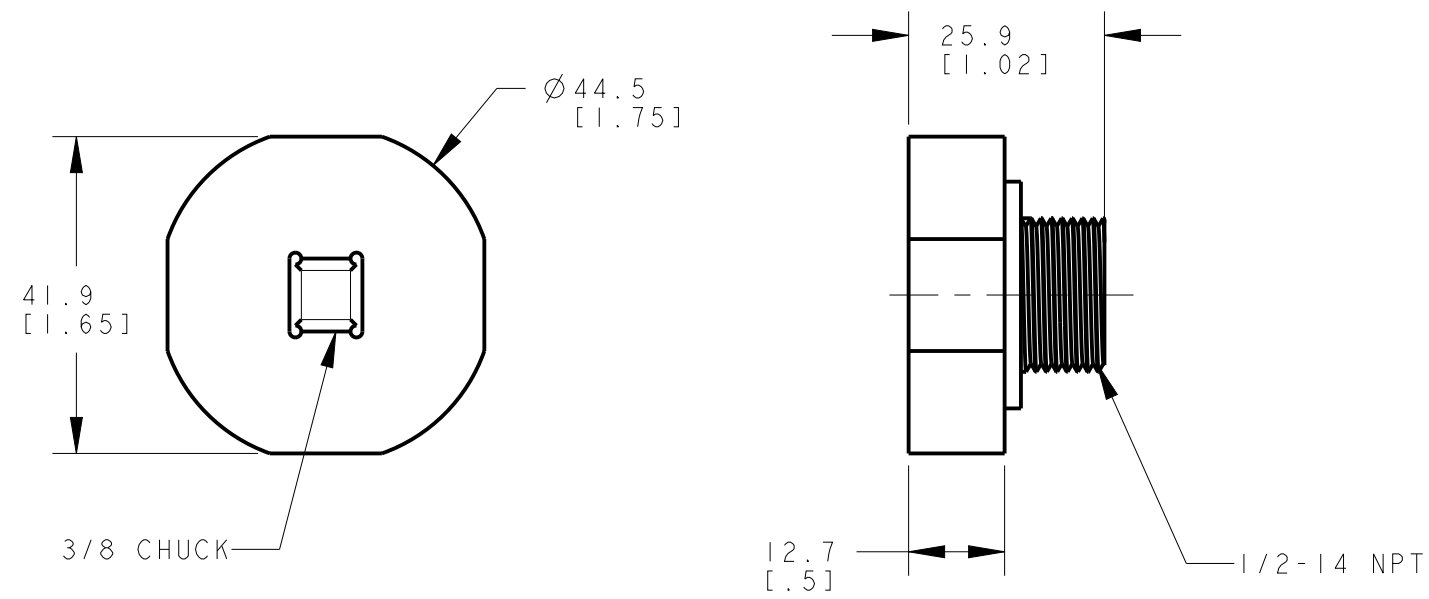
SCALE 1:2 SHEET 4 OF 5



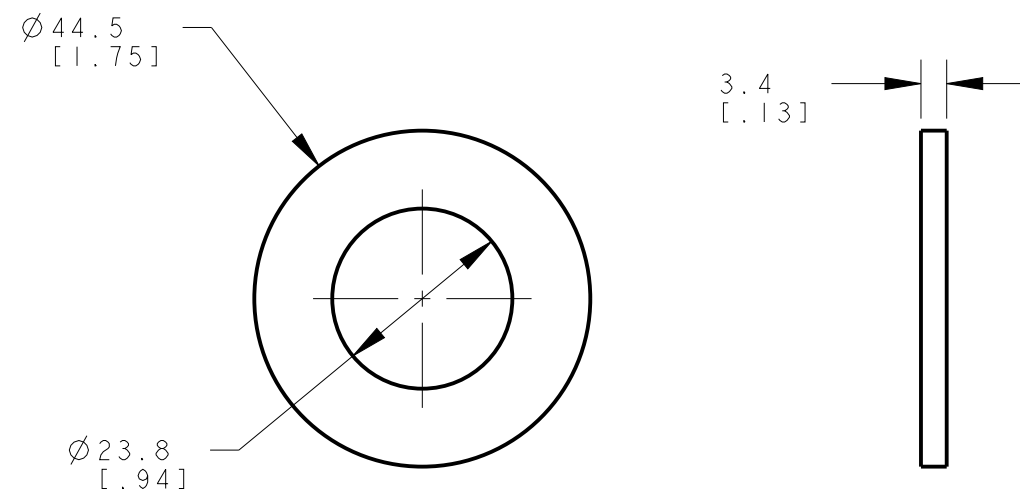
8 7 6 5 4 3 2 1 CREO



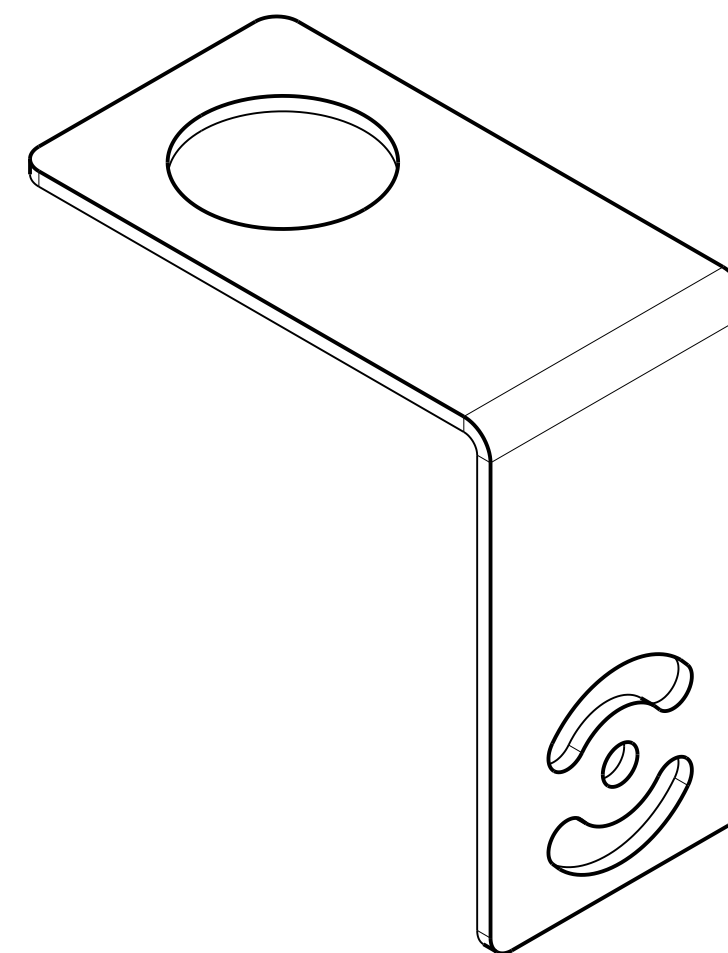
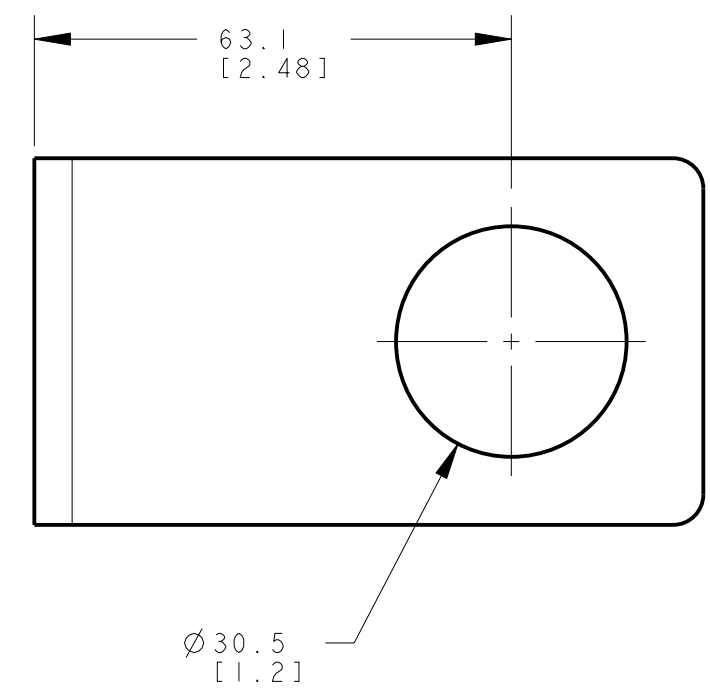
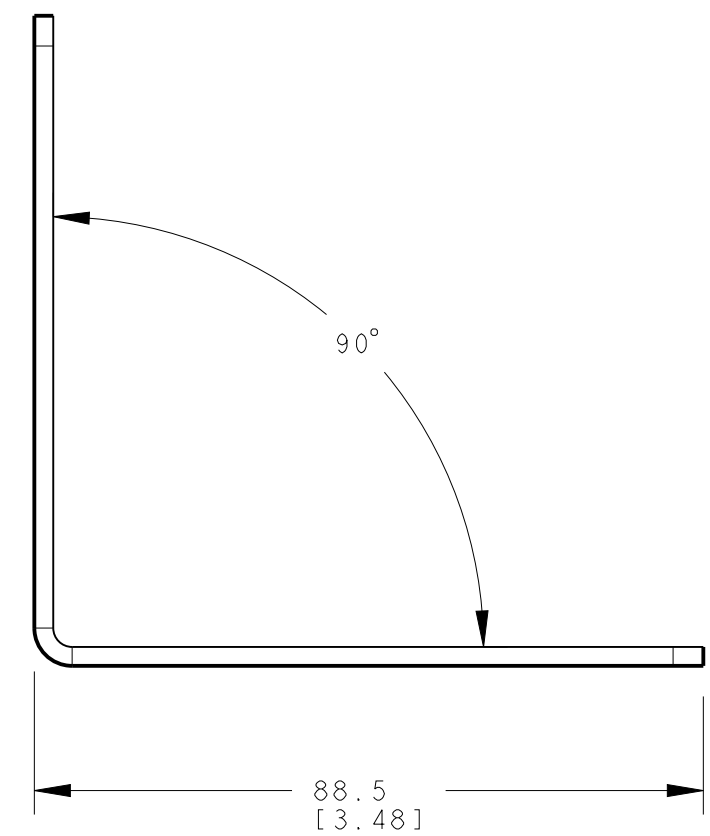
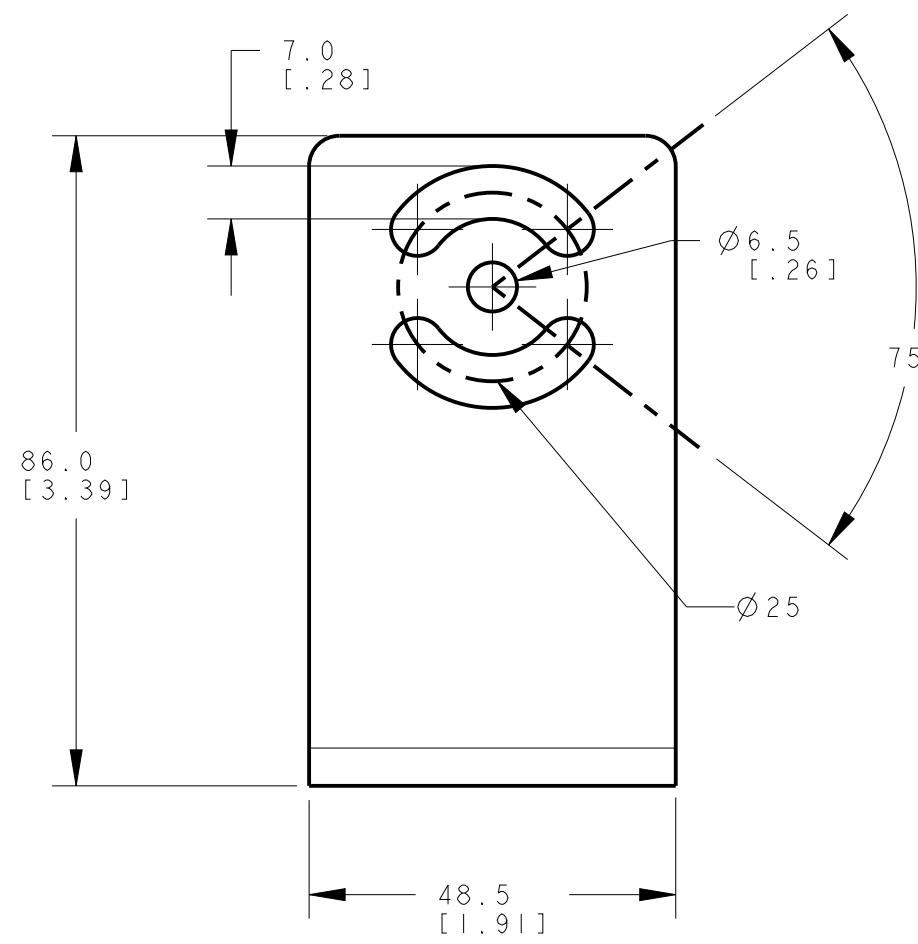
ISOMETRIC VIEW
SCALE 1:1



ISOMETRIC VIEW
SCALE 1:1



NOTES:
1. ALL DIMENSIONS ARE MILLIMETERS [INCHES] UNLESS OTHERWISE NOTED.
2. REFER TO "www.bannerengineering.com" FOR ADDITIONAL DATA AND SPECIFICATIONS.



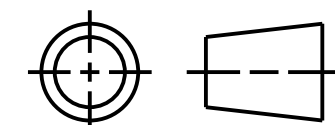
ISOMETRIC VIEW
SCALE 1:1

This drawing is the property of BANNER ENGINEERING CORP. Any use or reproduction, in any form, without prior written permission of Banner is prohibited.
© 2015 Banner Engineering Corp.

BANNER BANNER ENGINEERING CORP.
www.bannerengineering.com

TITLE
OCCUPANCY COUNTING KIT V2

THIRD ANGLE PROJECTION



SIZE C DRAWING NO. **219419** REV. **A**

SCALE 1:1 SHEET 5 OF 5

CREO