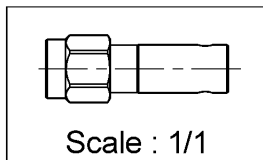
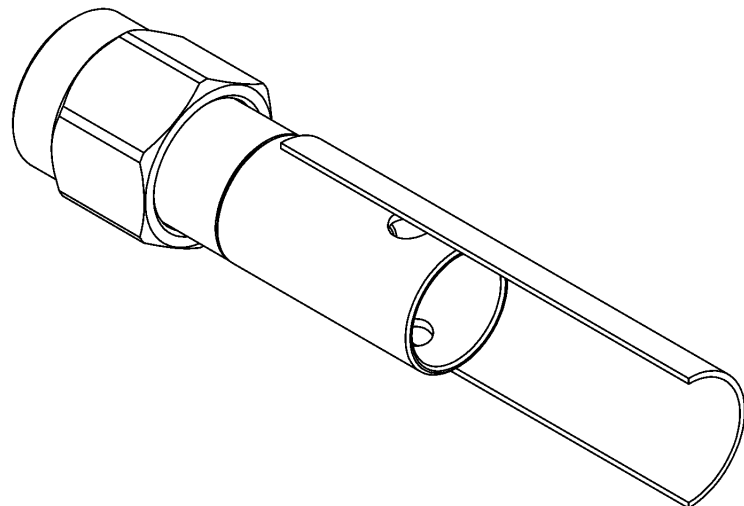
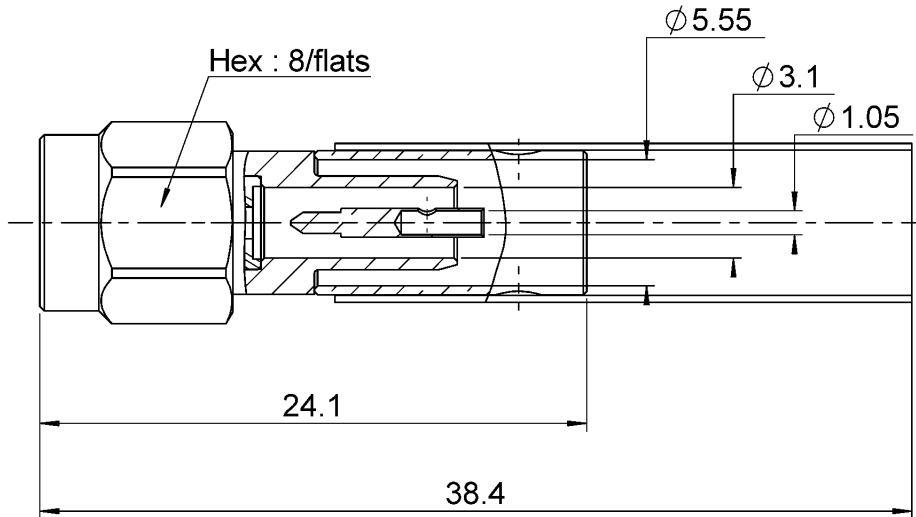


PAGE 1/2	ISSUE 26-04-16E	SERIES SMA	PART NUMBER R125076001
----------	-----------------	------------	------------------------



All dimensions are in mm.



COMPONENTS	MATERIALS	PLATING (µm)
Body	STAINLESS STEEL	PASSIVATED
Center contact	BRASS	GOLD OVER NICKEL
Outer contact	-	-
Insulator	PTFE	
Gasket	SILICONE RUBBER	
Others parts	STAINLESS STEEL	PASSIVATED
-	-	-
-	-	-

PAGE 2/2	ISSUE 26-04-16E	SERIES SMA	PART NUMBER R125076001
----------	-----------------	------------	------------------------

PACKAGING

Standard	Unit	Other
100	Contact us	Contact us

ELECTRICAL CHARACTERISTICS

Impedance	50	Ω
Frequency	0-12.4	GHz
VSWR	1.15 + 0.0100	x F(GHz) Maxi
Insertion loss	0.06	√F(GHz) dB Maxi
RF leakage	60	- F(GHz) dB Maxi
Voltage rating	335	Veff Maxi
Dielectric withstanding voltage	1000	Veff mini
Insulation resistance	5000	MΩ mini

MECHANICAL CHARACTERISTICS

Center contact retention		
Axial force – Mating End	NA	N mini
Axial force – Opposite end	NA	N mini
Torque	NA	N.cm mini
Recommended torque		
Mating	100	N.cm
Panel nut	NA	N.cm
Clamp nut	NA	N.cm
A/F clamp nut	0.0000	mm
Mating life	500	Cycles mini
Weight	3.8470	g

ENVIRONMENTAL

Operating temperature	-65/+165	°C
Hermetic seal	NA	Atm.cm3/s
Panel leakage	NA	

SPECIFICATION

CABLE ASSEMBLY

Stripping	a	b	c	d	e	f
mm	3.5	7	13.5	0	10	0

Assembly instruction: **Crimp 01**

Recommended cable(s)

- RG 223**
- RG 142 BU**
- RG 400**
- KX 23**
- RG 142 FTX**

Characteristics indicated on this data sheet are those that can be achieved with the highest performance cable. Intrinsic limitations of the cable may diminish the performance of the assembly

Cable retention

- pull off	204	N mini
- torque	NA	N.cm

TOOLING

Part Number	Description	Hexagon
R282223000	CRIMPING TOOL	5.41
R282235011	CRIMPING DIES M22520/5-11	5.41
R282293000	CRIMPING TOOL M22520/5-01	-

OTHER CHARACTERISTICS

-