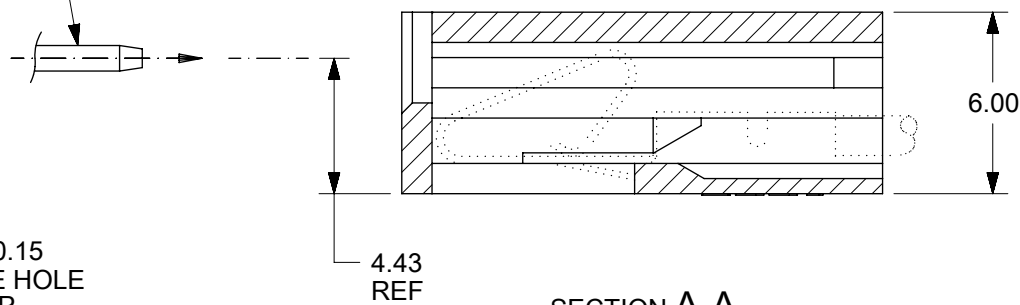


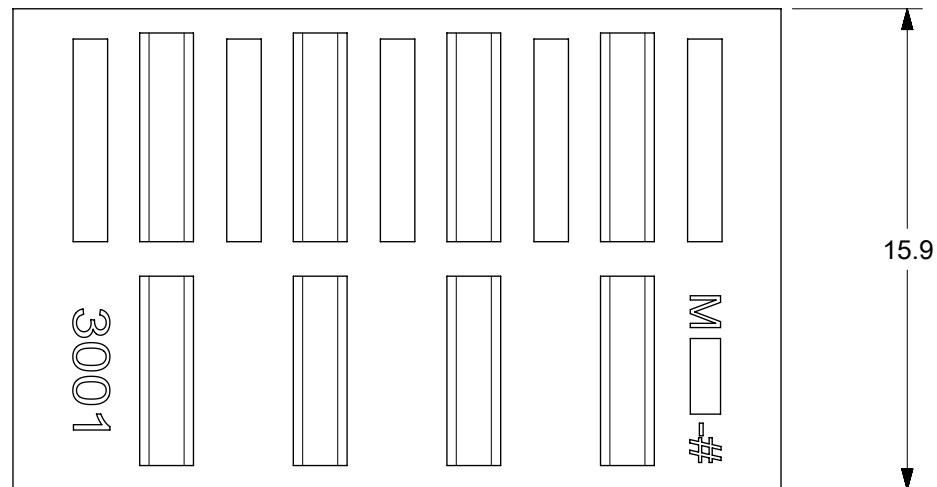
1.14 REF. ROUND OR SQUARE PIN.



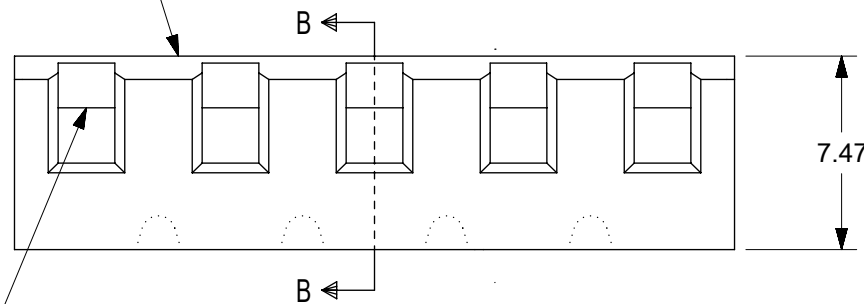
HOUSING OPTION WITHOUT RAMP 91813-90**

OPTIONAL VOIDED CIRCUIT SEE CHART FOR LOCATION

2.0 ±0.15 SQUARE HOLE TYP



HOUSING OPTION WITH RAMP 91813-91**

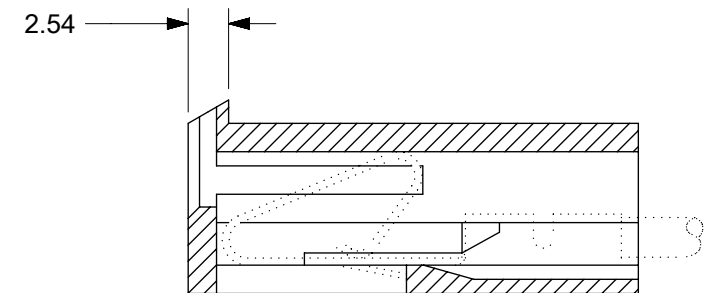


CIRCUIT No. 1 SEE NOTE 4

12	91813-9012	91813-9112	55.88 +0.50 -0.25	60.96 +0.60 -0.30
11	↑ -9011	↑ -9111	50.80 +0.45 -0.20	55.88 +0.55 -0.30
10	-9010	-9110	45.72 +0.30 -0.20	50.80 +0.40 -0.20
9	-9009	-9109	40.64 +0.25 -0.20	45.72 +0.40 -0.20
8	-9008	-9108	35.56 ±0.20	40.64 +0.35 -0.20
7	-9007	-9107	30.48 ±0.20	35.56 +0.30 -0.20
6	-9006	-9106	25.40 +0.15 -0.10	30.48 +0.25 -0.20
5	-9005	-9105	20.32 +0.15 -0.10	25.40 +0.25 -0.15
4	-9004	-9104	15.24 ±0.10	20.32 +0.20 -0.15
3	↓ -9003	↓ -9103	10.16 ±0.10	15.24 +0.20 -0.15
2	91813-9002	91813-9102	5.08 ±0.10	10.16 +0.10 -0.15
CKT. SIZE	PART NO. WITHOUT RAMP	PART NO. WITH RAMP	A	B
DIMENSION				

HOUSINGS WITH VOIDED CIRCUITS

5		91813-9121	20.32 +0.15 -0.10	25.40 +0.25 -0.15	2, 4
CKT. SIZE	PART NO. WITHOUT RAMP	PART NO. WITH RAMP	A	B	VOIDED CIRCUIT
DIMENSION					



SECTION B-B

NOTE:

1. MATERIAL: POLYAMIDE (PA6), UL-94V-2
COLOR: WHITE
2. FINISH: N/A
3. PRODUCT SPECIFICATION: PS-99020-0087
4. CIRCUIT 1 MAY OR MAY NOT LINE UP WITH CIRCUIT 1 OF THE MATING PART.
5. THIS PART CONFORMS TO CLASS B REQUIRMENTS OF COSMETIC SPECIFICATION PS-45499-002.
6. THIS HOUSING USES KK TERM. No's. 2478, 2578 & 2878.
7. COLOR VARIATION MAY BE VISIBLE ON THE HOUSING SURFACES.

THIS DRAWING CONTAINS INFORMATION THAT IS PROPRIETARY TO MOLEX ELECTRONIC TECHNOLOGIES, LLC AND SHOULD NOT BE USED WITHOUT WRITTEN PERMISSION										
QUALITY SYMBOLS	EC NO: 171927 DRWN: PKH CHK'D: SS06 APPR: ISHWARG			GENERAL TOLERANCES (UNLESS SPECIFIED) MM INCH 4 PLACES ± ± 3 PLACES ± ± 2 PLACES ± 0.25 ± 1 PLACES ± 0.35 ± 0 PLACES ± ± ANGULAR TOL = 0.5 DRAFT WHERE APPLICABLE MUST REMAIN WITHIN DIMENSIONS		DIMENSION UNITS MM SCALE 4:1				
▽A = 0 ▽E = 0 ▽D = 0 ▽ = 0 ▽C = 0 ⊠ = 0 ■ = 0 ▽ = 0	DRAWING UPDATED 2017/11/15 2018/02/06 2018/02/08			DRWN BY DWASZKIEWICZ		DATE 2006/06/08		5.08MM KK CRP TERM HSG GLOW WIRE COMPATIBLE		
CHK'D BY J.DENNEHY			DATE 2010/12/06		PRODUCT CUSTOMER DRAWING					
DRAWING SIZE A3		THIRD ANGLE PROJECTION		SERIES 91813		MATERIAL NUMBER SEE CHART		CUSTOMER GENERAL MARKET		
DOCUMENT NUMBER SD-91813-001				DOC TYPE PSD		DOC PART 001		SHEET NUMBER 1 OF 1		