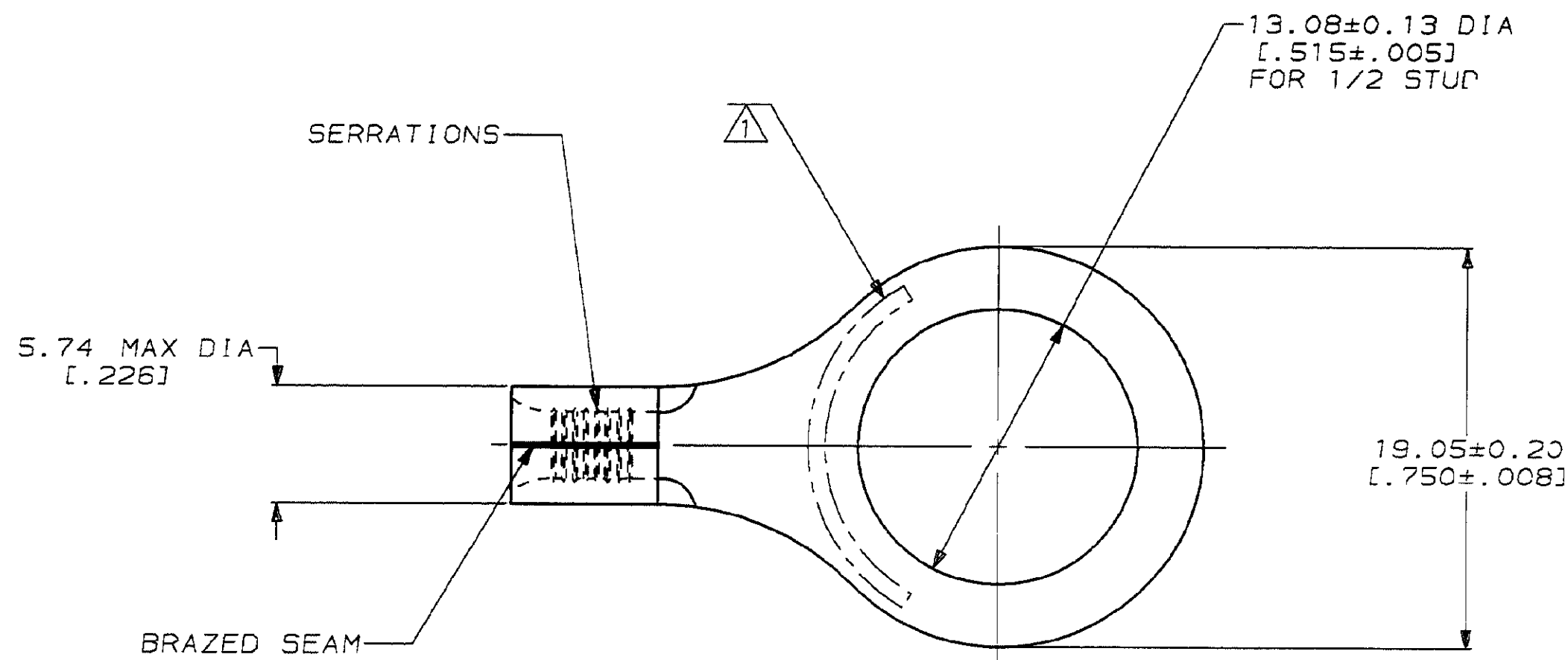


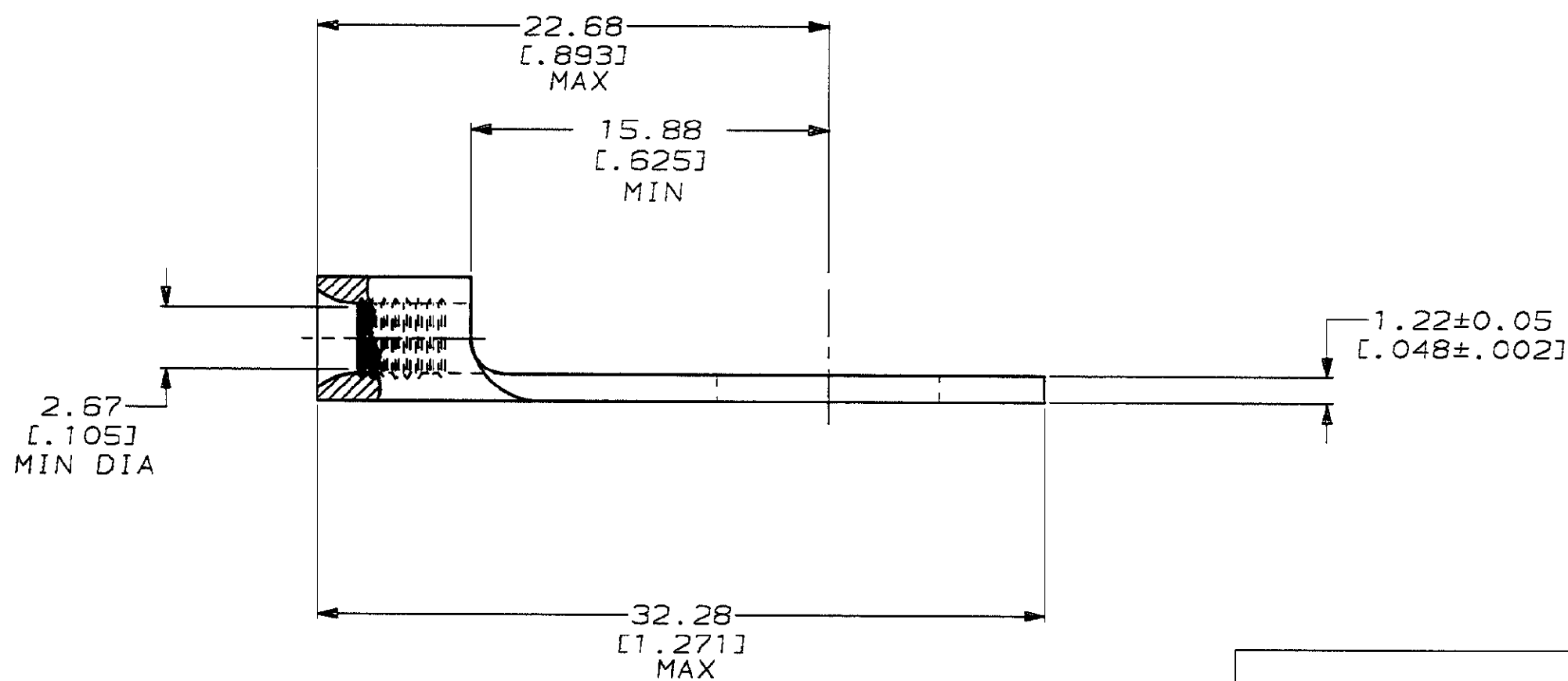
DRAWING MADE IN THIRD ANGLE PROJECTION  
 THIS DRAWING IS UNPUBLISHED. RELEASED FOR PUBLICATION .19  
 © COPYRIGHT 19 BY AMP INCORPORATED. ALL INTERNATIONAL RIGHTS RESERVED.

LOC	DIST	P	F	ZONE	LTR	DESCRIPTION	DATE	APPD
G	14					C REV,RDRW, & SM PKG PER 0720-0040-93	3-17-93	1 <sup>st</sup> DAP



<b>AMP</b> WIRE RANGE	<b>UL</b> E13288 Listed
16-14HD AWG SOLID OR STRANDED	16-14HD AWG STRANDED
<b>LR7189</b> Certified	MILITARY P/N AND CLASS
16-14HD AWG SOLID OR STRANDED	NOT APPLICABLE

1 STAMP AMP 16-14HD\* APPROX AS SHOWN



100	LOOSE PIECE, BOX	8-321165-1
---	LOOSE PIECE	321165
QUANTITY	PACKAGE TYPE	PART NO

**AMP INCORPORATED**  
**CUSTOMER SERVICE SYSTEMS**

MAX RECOMMENDED OPERATING TEMPERATURE:  
 170°C MAX

DO NOT SCALE PRINT.  
 UNLESS SPECIFIED  
 DIMENSIONS IN mm [INCHES]  
 TOLERANCES ON:  
 2 PLC DEC ± -  
 3 PLC DEC ± -  
 ANGLES ± -

DR 3-17-93  
 TA BRINKMAN  
 CHK 3-17-93  
 DA PATTERSON

**AMP** AMP Incorporated  
 Harrisburg, PA 17105-3608

FOR ADDITIONAL  
 PRODUCT INFORMATION OR  
 COPIES OF DRAWINGS  
 AND TECHNICAL DOCUMENTS

PRODUCT INFORMATION CENTER  
 1-800-522-6752

VOLTAGE RATING:  
 NOT APPLICABLE

MATERIAL  
 COPPER PER  
 ASTM B-152  
 ANNEALED

APPD 3-17-93  
 DE MILLER  
 APPD 3-17-93  
 JL HECKLEY

NAME  
**TERMINAL, RING TONGUE,  
 HEAVY DUTY, SOLISTRAND™**

FOR APPLICATION  
 TOOLING INFORMATION

TOOLING ASSISTANCE CENTER  
 1-800-722-1111

WIRE CROSS SECTIONAL AREA RANGE:  
 1.04-2.62mm<sup>2</sup> [2,050-5,180] CIR MILS  
 SOLID OR STRANDED

FINISH  
 TIN PLATE  
 0.00254[.000100] MIN  
 THK PER MIL-T-10727

APPLICATION SPEC  
 -

SIZE  
 CAGE CODE  
 DRAWING NO  
 C 00779 C=321165

FOR ORDER ENTRY

1-800-526-5142

THIS DRAWING IS A CONTROLLED DOCUMENT FOR  
 AMP INCORPORATED. IT IS SUBJECT TO CHANGE  
 AND THE CONTROLLING ENGINEERING ORGANIZATION  
 SHOULD BE CONTACTED FOR THE LATEST REVISION.

WEIGHT -

SCALE 4:1 SHEET 1 OF 1

AMP 1471-5 REV 3-92