



PART  
NAME

EXTERNAL BRACKETS KIT

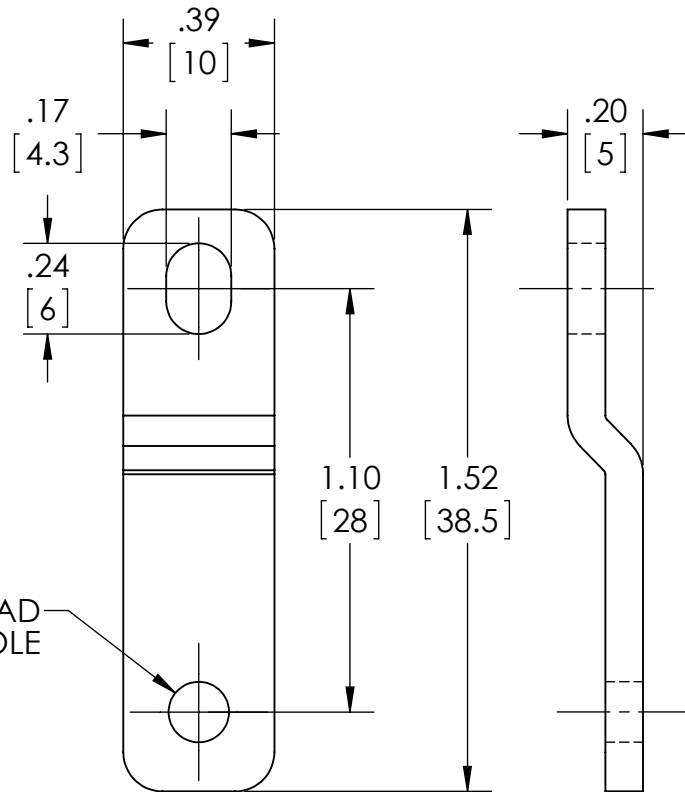
PART  
No.

MTX-4503

REV.  
DATE

10-27-15

**DRAWING FOR REFERENCE**  
WE RESERVE THE RIGHT TO MAKE CHANGES TO OUR  
STANDARD PRODUCTS. PLEASE CONSULT WITH BUD INDUSTRIES  
PRIOR TO USING THIS DRAWING FOR DESIGN PURPOSE.



MATERIAL: STAINLESS STEEL 304

FINISH: NATURAL

DIMENSIONS IN INCH [MM]

KIT CONSISTS OF THE FOLLOWING ITEMS:

- QTY. (4) BRACKETS
- QTY. (4) M4 SCREWS
- QTY. (4) M4 FLAT WASHERS
- QTY. (4) M4 SPLIT LOCKWASHERS

WILL FIT THE FOLLOWING ENCLOSURES:

- #ATX-10501
- #ATX-10503

M4 THREAD  
HOLE

