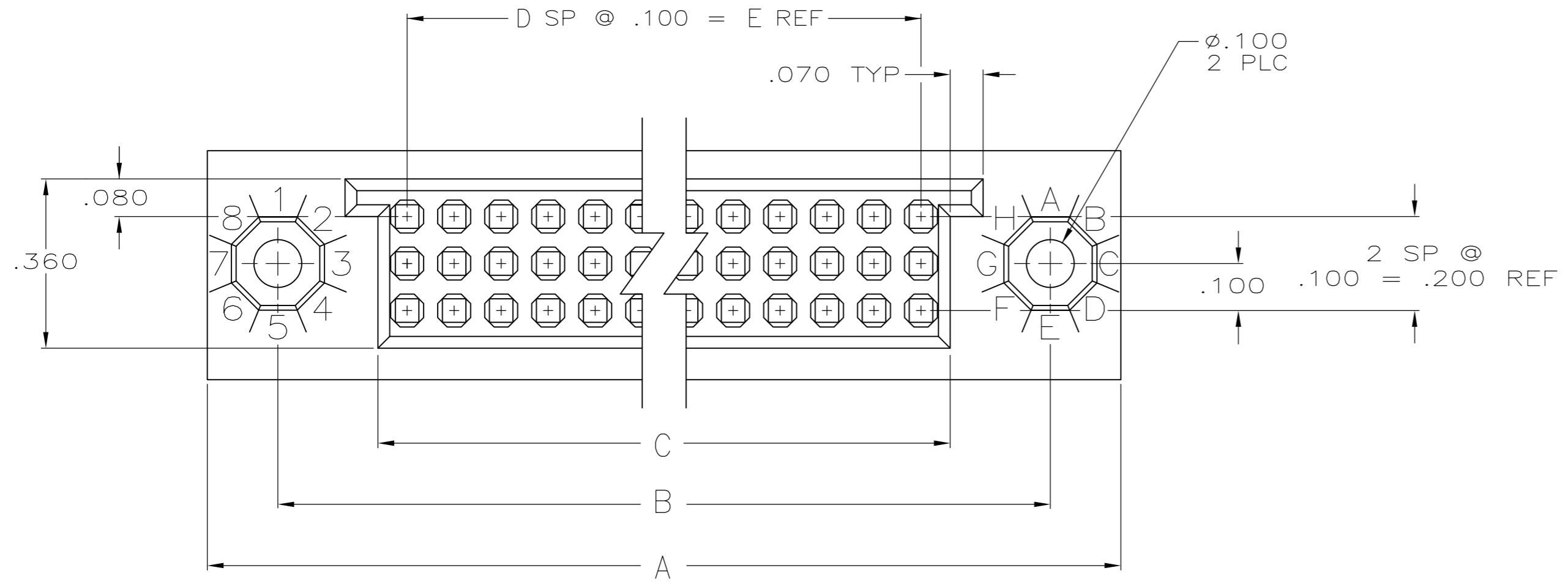
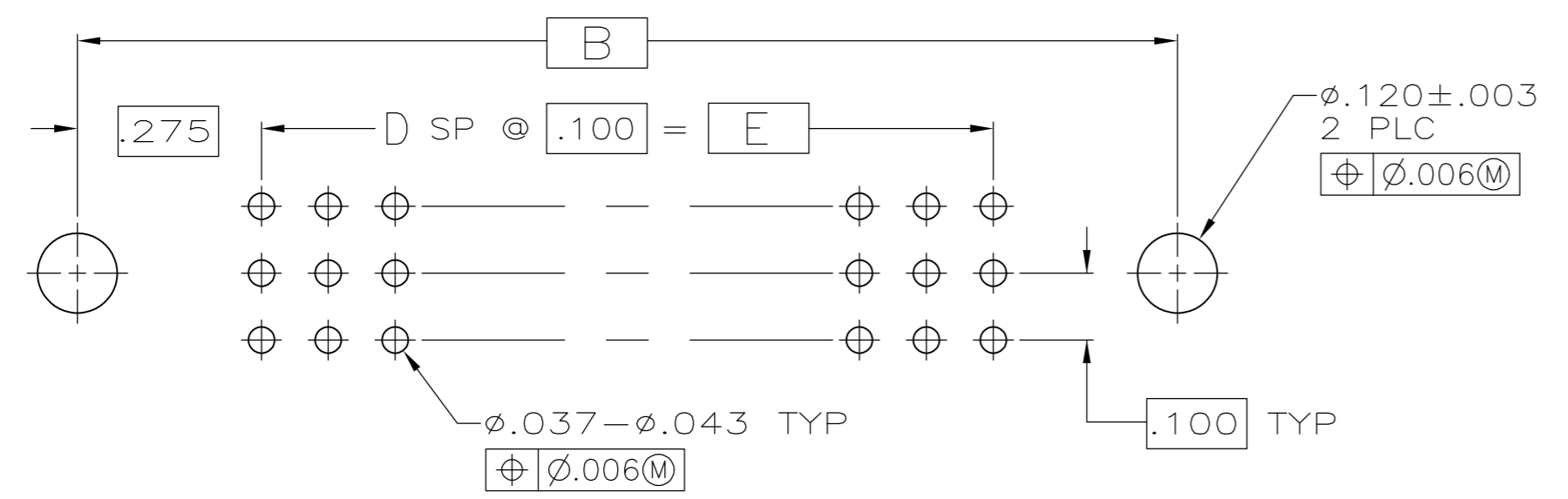
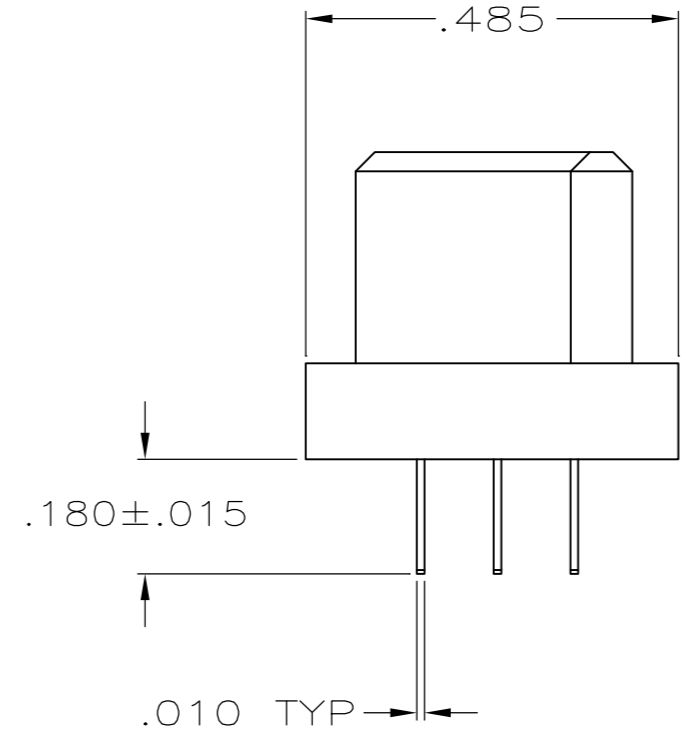
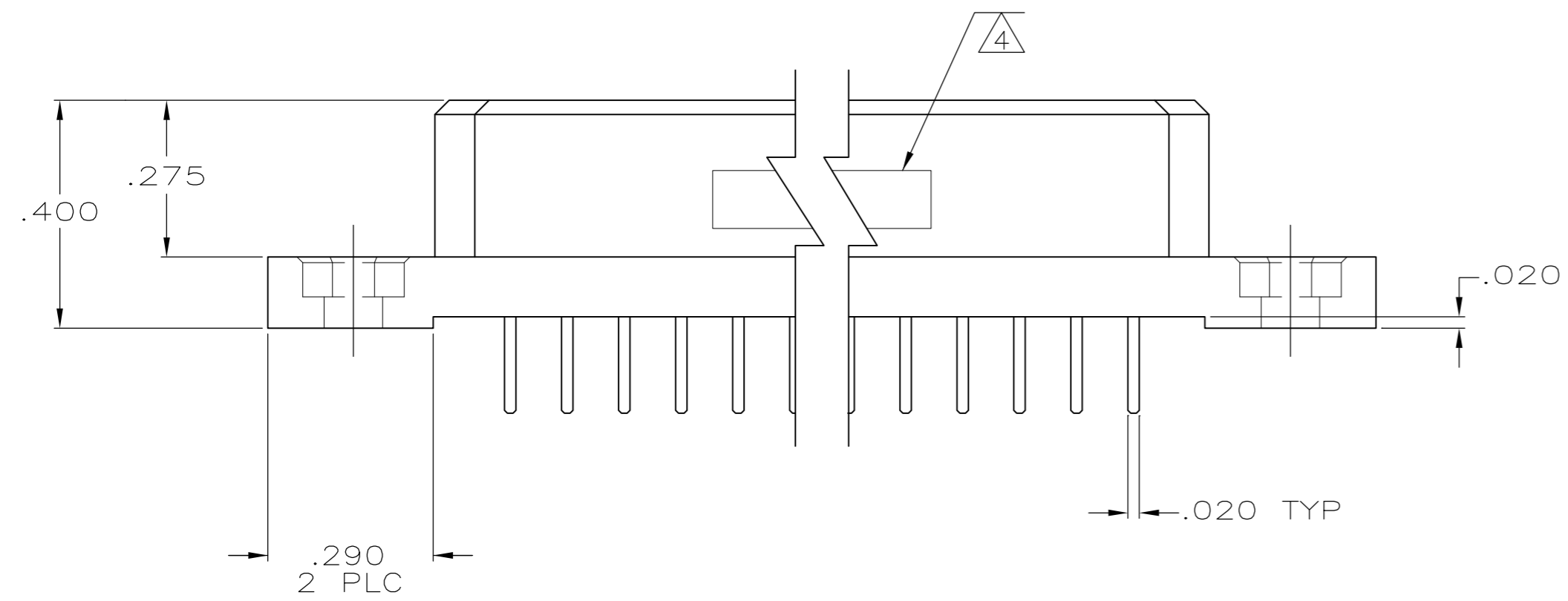


THIS DRAWING IS UNPUBLISHED. RELEASED FOR PUBLICATION - N/A -
 © COPYRIGHT N/A By - ALL RIGHTS RESERVED.

LOC	DIST	REVISIONS					
		P	LTR	DESCRIPTION	DATE	DWN	APVD
DF	DO	N		REV PER ECO-12-009804	22JUN12	PY	DM



- 1 HOUSING MATERIAL: THERMOPLASTIC. COLOR: NATURAL (BROWN).
- 2 CONTACT MATERIAL: BERYLLIUM COPPER OR COPPER-NICKEL-SILICON PER UNS C70260.
- 3 CONTACT FINISH: .000050-.000100 NICKEL UNDERPLATE ALL OVER. .000030 GOLD IN CONTACT AREA. TIN-LEAD PLATED SOLDER TAILS.
- 4 TE, P/N & DATE CODE MARKED IN THIS APPROXIMATE AREA.
- 5 CONTACT FINISH: .000050-.000100 NICKEL UNDERPLATE ALL OVER. .000030 GOLD IN CONTACT AREA. TIN PLATED SOLDER TAILS.



PC BOARD LAYOUT

5	5.700	57	5.824	6.250	6.550	174	5-533495-3
5	4.900	49	5.024	5.450	5.750	150	5-533495-2
3	5.700	57	5.824	6.250	6.550	174	533495-3
3	4.900	49	5.024	5.450	5.750	150	533495-2
3	7.400	74	7.524	7.950	8.250	225	533495-1
REMARKS	E	D	C	B	A	POSN	ASSY P/N

THIS DRAWING IS A CONTROLLED DOCUMENT.

DWN	L. BRINER	19-MAR-87
CHK	L. CASTAGNA	20-MAR-87
APVD	L. CASTAGNA	20-MAR-87
PRODUCT SPEC		
APPLICATION SPEC		
WEIGHT	-	
CUSTOMER DRAWING		

TE Connectivity

BOX II ASSEMBLY
3 ROW
W/SOLDER TAILS

SIZE	A2	CAGE CODE	00779	DRAWING NO	C=533495	RESTRICTED TO	-
SCALE	4:1	SHEET	1 of 1	REV	N		